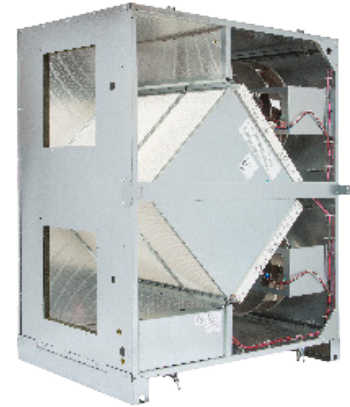




# MODEL TRC1200

(Energy Recovery Ventilators - ERV)



## Specifications

Ventilation Type: Static Plate, Heat and Humidity Transfer						
Typical Airflow Range: 375-1575 CFM						
AHRI 1060 Certified Cores: One L62-G5 and one L125-G5						
Motors: Qty 2, 1.0 HP ea., Direct Drive motorized impeller packages						
Drive HP	V	Hz	Phase	FLA (per motor)	Min. Cir. Amps	Max. Overcurrent Protection Device
1.0	120	60	Single	6.5	14.6	20
	208-230	60	Single	3.3-3.4	7.7	15
	208-230	60	Three	2.2-2.2	5.0	15
	460	60	Three	1.1	2.5	15
Standard Features: 24 VAC Transformer/Relay Package						
Filters: Total Qty. 4, MERV 8: (2) 14" x 20" x 2" and (2) 16" x 20" x 2"						
Weight: 337-504 lbs (Unit), 571 lbs.(Shipping)						
Shipping Dimensions (on pallet): 70" L x 47" W x 53" H						

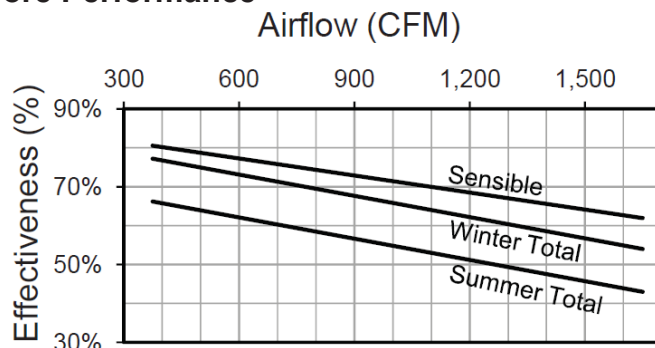
## Airflow Performance

Motor HP Phase	External Static Pressure (Inches Water Column)						
	0.0	0.25	0.50	0.75	1.00	1.25	1.50
1.0 Single Phase	1,575 CFM	1,470 CFM	1,350 CFM	1,225 CFM	1,090 CFM	950 CFM	795 CFM
	1,545 Watts	1,525 Watts	1,500 Watts	1,475 Watts	1,435 Watts	1,380 Watts	1,300 Watts
1.0 Three Phase	1,675 CFM	1,570 CFM	1,435 CFM	1,280 CFM	1,115 CFM	940 CFM	760 CFM
	1,410 Watts	1,400 Watts	1,380 Watts	1,340 Watts	1,280 Watts	1,210 Watts	1,135 Watts

NOTE: Watts is for the entire unit (2 motors).

NOTE: Airflow performance includes effect of clean, standard filter supplied with unit.

## Core Performance



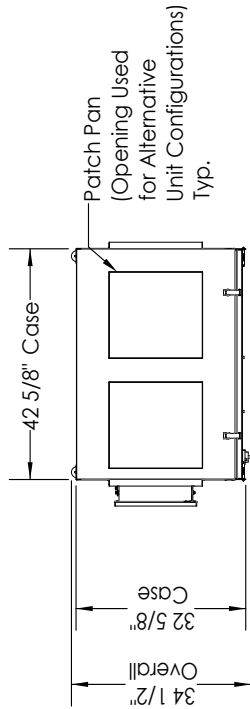
At AHRI 1060 standard conditions. See all AHRI certified ratings at [www.ahrinet.org](http://www.ahrinet.org).

# Dimensions

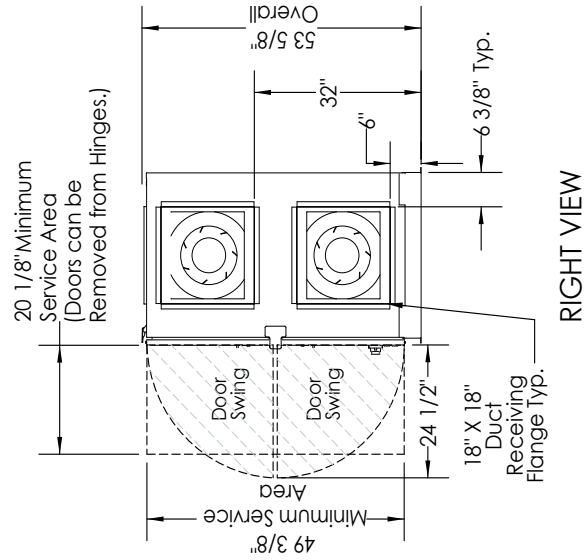
**ABBREVIATIONS**  
 EA: Exhaust Air to outside  
 OA: Outside Air intake  
 RA: Room Air to be exhausted  
 FA: Fresh Air to inside

**INSTALLATION ORIENTATION**  
 Unit may be installed in any orientation.

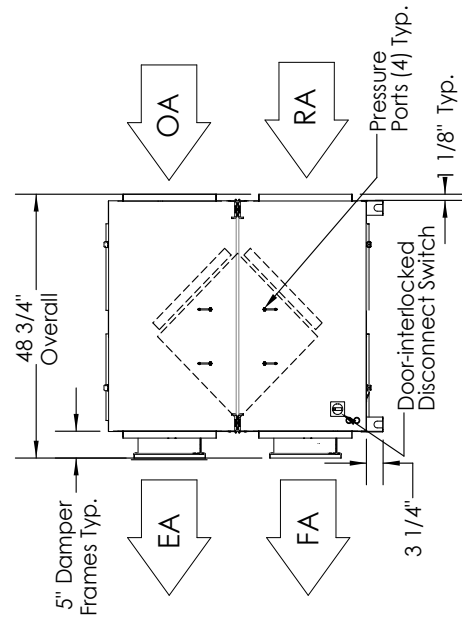
**NOTE**  
 1. UNLESS OTHERWISE SPECIFIED, DIMENSIONS ARE ROUNDED TO THE NEAREST EIGHTH OF AN INCH.  
 2. SPECIFICATIONS MAY BE SUBJECT TO CHANGE WITHOUT NOTICE.



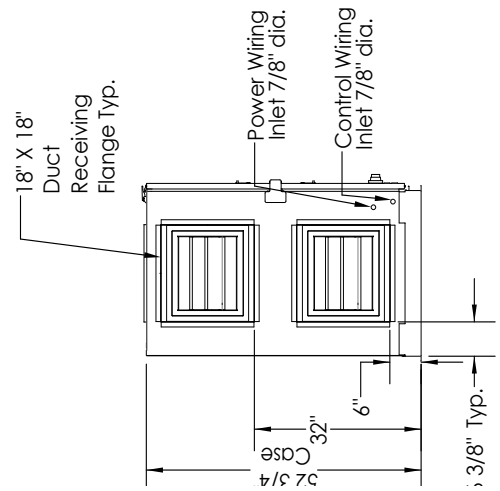
TOP VIEW



RIGHT VIEW



FRONT VIEW



LEFT VIEW