



# MODEL TR200

(Energy Recovery Ventilators - ERV)



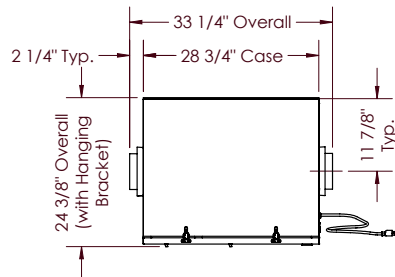
## Specifications

Ventilation Type: Static Plate, Heat and Humidity Transfer				
Typical Airflow Range: 100-200 CFM				
Unit may be mounted in any orientation				
Number Motors: One double-shaft motor, 0.1 hp				
V	Hz	Phase	Input Watts	FLA
120	60	Single	157 @ 181 CFM	1.5
Control Voltage: 12-14 VAC suitable to power SPTL S&P branded control				
Filters: MERV 8, spun polyester media 10-1/2" x 21-3/4" x 1"				
Weight: 68 lbs (unit), 110 lbs (in carton)				
Shipping Dimensions: 34" L x 44" W x 34" H				

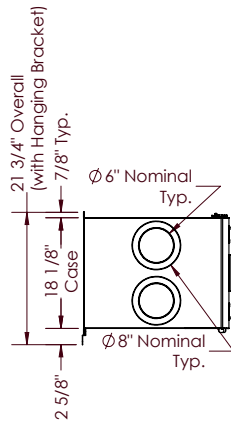
Unit Performance		Core Performance		
Airflow CFM	ESP in H <sub>2</sub> O	Temp EFF%	Total EFF% Winter*	Total EFF% Summer*
121	0.7	81	77	64
148	0.6	79	75	61
167	0.5	78	73	59
176	0.4	78	72	58
186	0.3	77	72	58
191	0.2	77	71	57
206	0.1	76	70	56

\* Contact Factory for HVI certification report for complete certified rating.  
 \* HVI ratings apply to complete units only

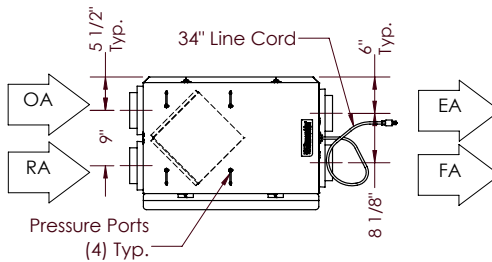
## Dimensions



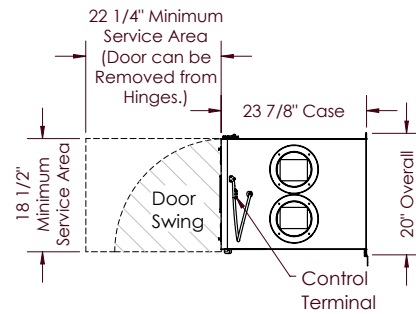
TOP VIEW



LEFT VIEW



FRONT VIEW



RIGHT VIEW

### ABBREVIATIONS

EA: Exhaust Air to Outside  
 RA: Room Air to be Exhausted  
 FA: Fresh Air to Inside  
 OA: Outside Air Intake

### INSTALLATION ORIENTATION

Unit may be installed in any orientation.  
 RA/EA airstream can be switched with OA/FA airstream.

### NOTE:

- UNLESS OTHERWISE SPECIFIED, DIMENSIONS ARE ROUNDED TO THE NEAREST EIGHTH OF AN INCH.
- SPECIFICATIONS MAY BE SUBJECT TO CHANGE WITHOUT NOTICE.