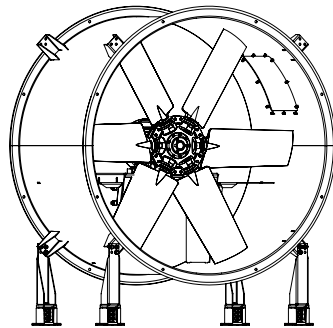
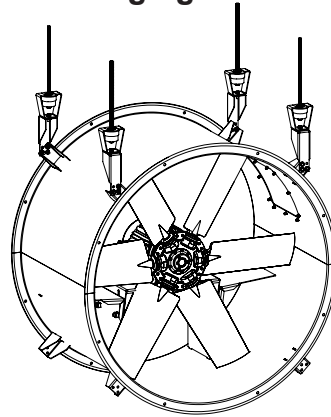


MOUNTING CONFIGURATIONS

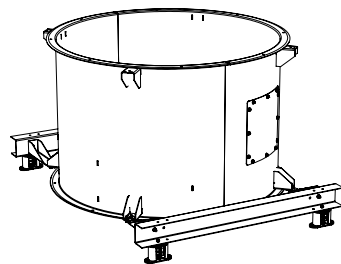
Floor Mount



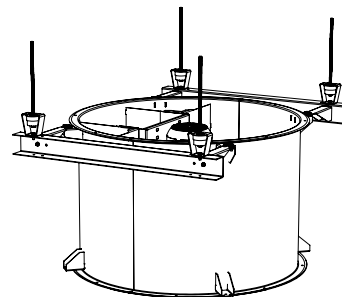
Hanging Mount



Vertical Rail Floor Mount

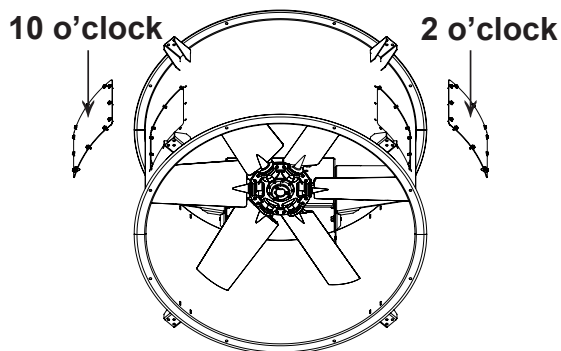


Vertical Rail Hanging Mount

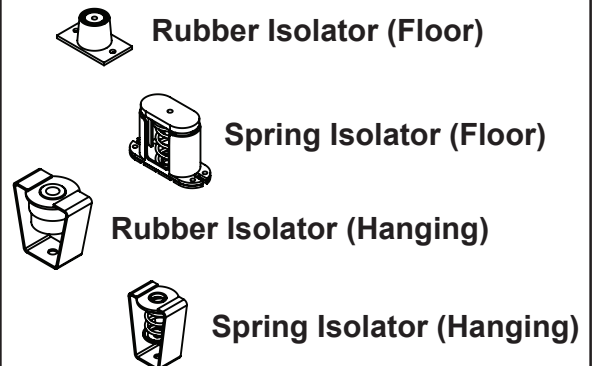


Vertical mounting available on special quote on sizes 34-48".

Inspection Door Location Options



Floor or Hanging Isolator Options



Note: The 12 & 16 are designed to mount to a supported duct work and do not have all mounting configurations.