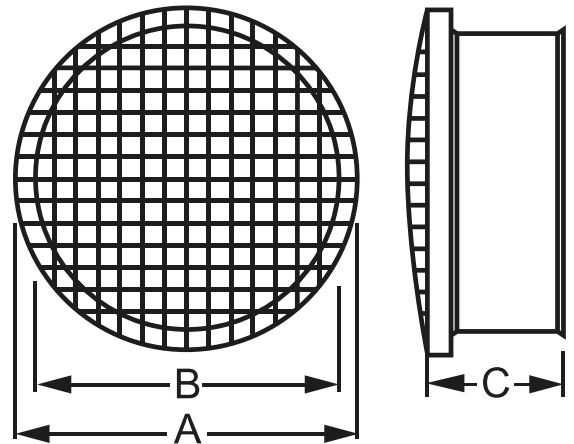


Model	Compatible with TD Model:	Dimensions (in)		
		A	B	C
MRJ100	TD-100 / TD-100X1	4-3/4"	3-7/8"	2-1/2"
MRJ125	TD-125	5-3/4"	4-3/4"	2-1/2"
MRJ150	TD-150	7-1/4"	5-3/4"	2-1/2"
MRJ200	TD-200	8-7/8"	7-3/4"	2-1/2"
MRJ250	TD-250	11-1/8"	9-3/4"	2-1/2"
MRJ315	TD-315	13-5/8"	12-1/4"	2-1/2"



**Notes:**

- Compatible with TD Fan inlet or outlet
- Sheet steel with epoxy polyester coating, color: eggshell white

ACCESSORY ITEMS	1	2	3	4	5	ACCESSORY ITEMS	1	2	3	4	5
<input type="checkbox"/>						<input type="checkbox"/>					
<input type="checkbox"/>						<input type="checkbox"/>					
<input type="checkbox"/>						<input type="checkbox"/>					
<input type="checkbox"/>						<input type="checkbox"/>					

Project: _____	Submitted: _____
Customer: _____	Approved: _____
Location: _____	

For more information contact us at [www.jencofan.com](http://www.jencofan.com) or 1.800.961.7370 for additional submittal drawings.

JencoFan will not be responsible for fabrication changes or errors resulting from customer use of a non-current submittal drawing.