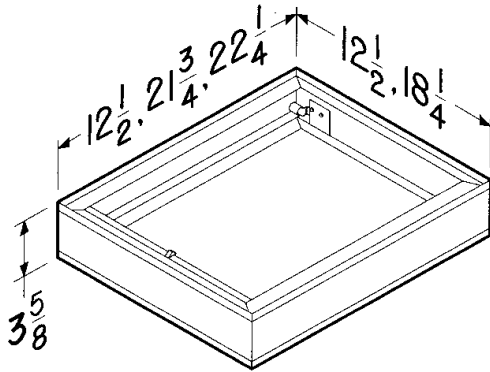
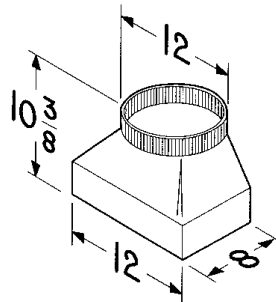
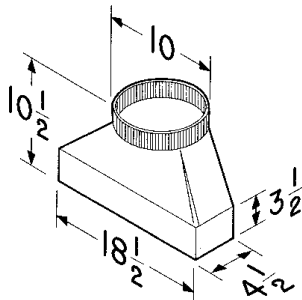


RADIATION DAMPERS, DUCT TRANSITIONS, METAL GRILLS FOR FF/FFC UNITS



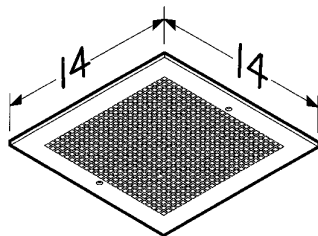
Models RD1, RD2 & RD3 Radiation Dampers

- UL rated 4-hour ceiling radiation dampers - classified for use in a 4-hour fire-rated ceiling
- Galvanized steel frame
- High temperature, non-asbestos, reinforced fiber thermal fabric
- 165°F fusible link
- Stainless steel negator-type closure spring
- RD1 ($12\frac{1}{4}$ x $12\frac{1}{4}$) fits FF100 - FF300
- RD2 ($21\frac{1}{2}$ x 18) fits FF400 - FF700
- RD3 (22 x 18) fits FF900 - FF1500



Models 423 & T81212 Duct Transitions

- Galvanized steel
- Allows for quick transition to easy-to-obtain-and-install round ducting
- 423 ($4\frac{1}{2}$ x 18 to 10 round) for use with FF400 thru FF700
- T81212 (8 x 12 to 12" round) for use with FF900 and FF1500



Model MG 1 Metal Grill Kit

- White enamel painted steel
- Mounting screws included
- Fits FF100, FF150, FF200, FF250 & FF300

Project: _____	Submitted: _____
Customer: _____	Approved: _____
Location: _____	