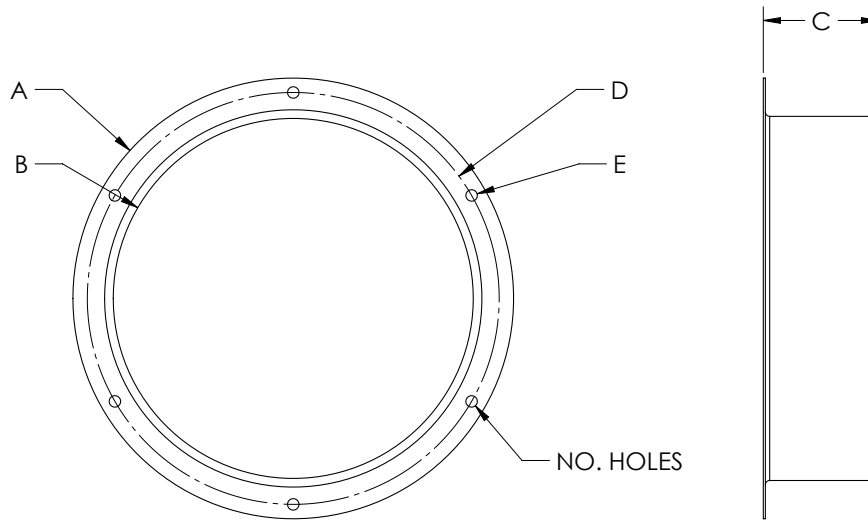




# U-FLANGE INLET FOR SERIES CM



CM MODEL	A (IN)	B (IN)	C (IN)	D (IN)	E (IN)	NO. HOLES
10	12-1/16	9-13/16	3-1/8	11-1/4	5/16	6
12	15-1/4	12-3/8	4-3/4	14	5/16	8
14	16-5/8	14	4-3/4	15-1/2	3/8	8
16	18-5/16	15-3/4	4-3/4	17-1/4	3/8	8
18	20-5/16	17-11/16	4-3/4	19-3/16	3/8	8
20	22-1/4	19-11/16	4-3/4	21-5/16	3/8	8
22	25-7/16	22	4-3/4	23-3/4	3/8	8
24	28-3/16	24-13/16	4-3/4	26-9/16	3/8	8
27	31-5/16	27-15/16	4-3/4	29-9/16	3/8	8
30	34-7/8	31-1/2	4-3/4	32-15/16	1/2	12
36	38-13/16	35-7/16	4-3/4	36-3/4	1/2	12

NOTE: DIMENSIONS ROUNDED TO NEAREST 1/16"

ACCESSORY MODEL	1	2	3	4	5	REMARKS

Project: _____	Submitted: _____
Customer: _____	Approved: _____
Location: _____	

Soler & Palau will not be responsible for fabrication changes or errors resulting from customer use of a non-current submittal drawing.