



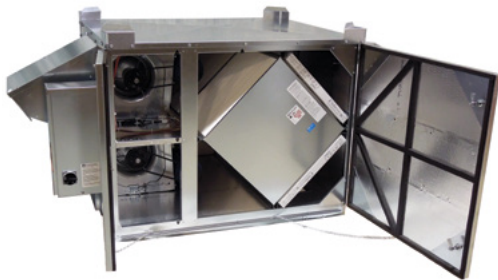
TRC 1600RT-230

TRC1600RTH-230-1P, TRC1600RTH-230-3P,
TRC1600RTV-230-1P, TRC1600RTV-230-3P

ENERGY RECOVERY VENTILATOR



ROOFTOP UNIT



Energy recovery core is AHRI Certified®



SPECIFICATIONS

Ventilation Type: Static plate, heat and humidity transfer

Airflow Range: 500–1,853 CFM

AHRI 1060 Certified Core: Two L125-G5

Standard Features:

- TEFC premium efficiency (IE3) motors
- Motor starters
- Non-fused disconnect
- 24VAC transformer/relay package
- Cross-core differential pressure parts

Filters:

Total qty. 4, MERV 8: 20" x 20" x 2"

Unit Weight: 498 lbs.

Max. Shipping Dimensions & Weight (on pallet):

96" L x 47" W x 50" H
593 lbs.

Motor(s):

Qty. 2, Belt drive blower/standard motor (IE3) packages with adjustable sheaves

Optional Electrical Accessories:

- STC7D-W: Digital Time Clock (wall mount)
- SMC-C: Motion Occupancy Control (ceiling mount)
- SMC-W: Motion Occupancy Control (wall mount)
- SCO2-W: CO2 Control (wall mount)

Optional TRC-RT General Accessories:

- 135613: Roof Curb (CURB2X) (TRC1600RT)
- 2XHECC: TRC1600RT Tie Down Clip Kit
- 990083: MERV8 (20" x 20" x 2" filter)
- 990303: MERV13 (20" x 20" x 2" filter)

AIRFLOW PERFORMANCE

Blower RPM	External Static Pressure (Inches Water Column)											
	0.25		0.50		0.75		1.00		1.25		1.50	
	SCFM	BHP	SCFM	BHP	SCFM	BHP	SCFM	BHP	SCFM	BHP	SCFM	BHP
1159	1125	0.6	900	0.5	639	0.5						
1200	1200	0.7	986	0.6	739	0.5						
1300	1381	0.9	1191	0.8	973	0.7	721	0.6				
1400	1562	1.1	1392	1.0	1199	0.9	977	0.7	725	0.6		
1485	1715	1.3	1560	1.2	1386	1.1	1187	0.9	960	0.8	705	0.7

Note: Brake horsepower (BHP) is for one blower motor package only. Airflow performance includes effect of clean, standard filter supplied with unit.

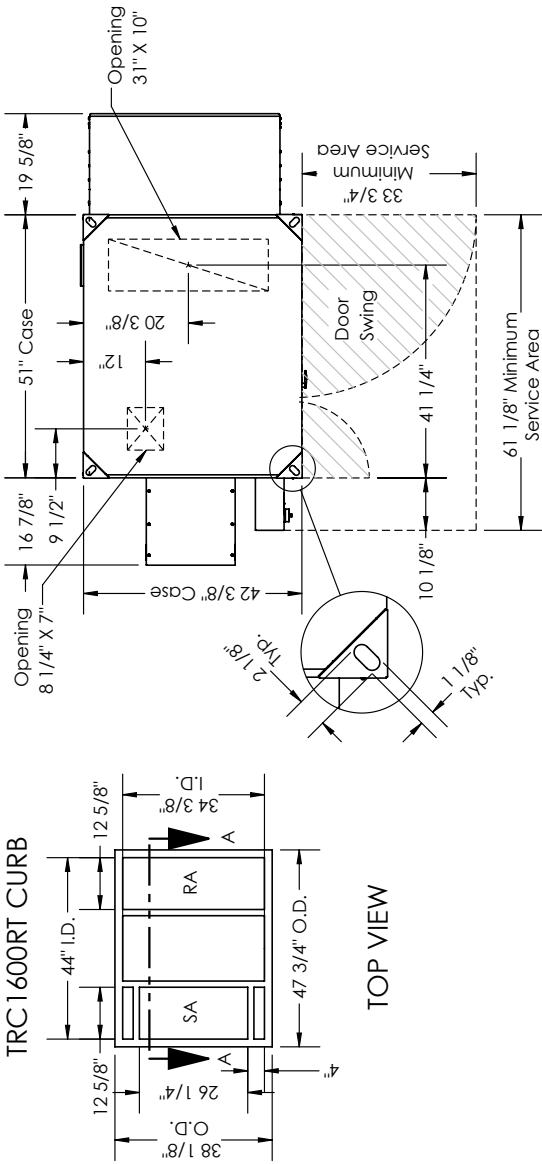
ELECTRICAL DATA

ELECTRICAL SPECIFICATIONS				MOTOR STARTERS (STANDARD)			
Max. Unit Watts/HP	Volts	Hz	Phase	Motor Full Load Amperage (FLA) per Motor	Max. Amp Drawn by the Unit	Min. Circuit Ampacity	Max. Overcurrent Protection Device
2595/1.5	208–230	60	Single	8.2–7.6	16.4–15.2	18.5–19	25
			Three	4.5–4.4	9–8.8	10.1–11	15



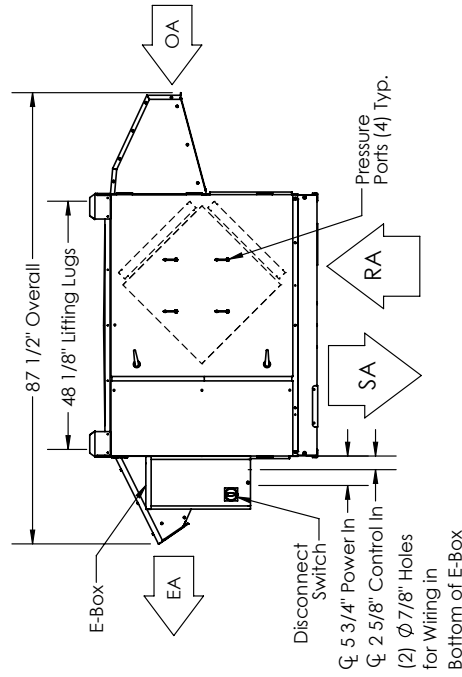
TRC1600RTV-230 ENERGY RECOVERY VENTILATOR

TRC1600RT CURB

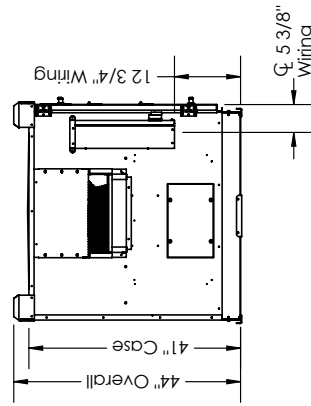


TOP VIEW

TOP VIEW



FRONT VIEW



LEFT VIEW

ABBREVIATIONS

- EA: Exhaust Air to outside
- OA: Outside Air intake
- RA: Room Air to be exhausted
- SA: Supply Air to inside
- RTV: Rooftop Vertical RA & SA

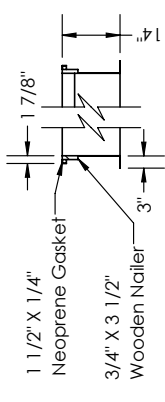
INSTALLATION ORIENTATION

Unit must be installed in orientation shown.

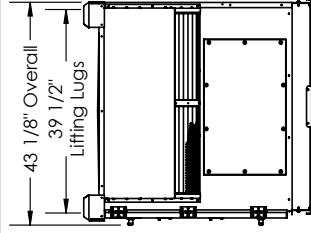
NOTE:

1. UNLESS OTHERWISE SPECIFIED, DIMENSIONS ARE ROUNDED TO THE NEAREST EIGHTH OF AN INCH.
2. SPECIFICATIONS MAY BE SUBJECT TO CHANGE WITHOUT NOTICE.

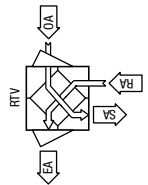
CURB CROSS-SECTION A-A (TYP.)



SECTION A-A



RIGHT VIEW



AIRFLOW ORIENTATION
Available as shown:



UNIT MOUNTING & APPLICATION
Must be mounted as shown. Airstreams cannot be switched.

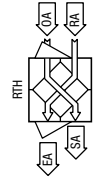
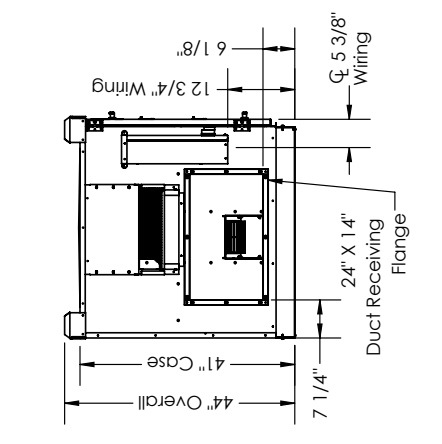
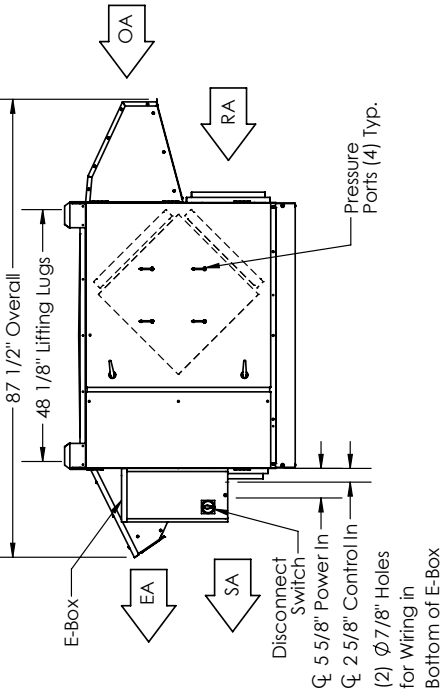
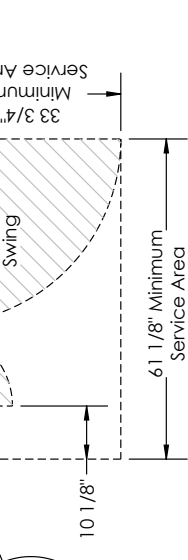
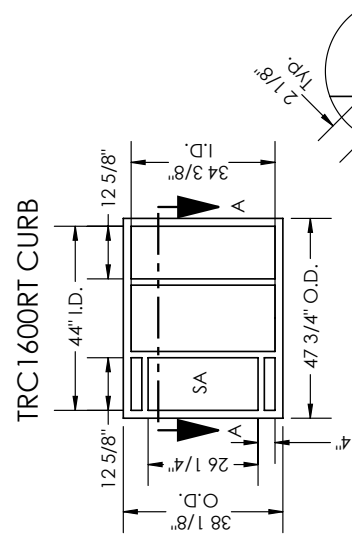
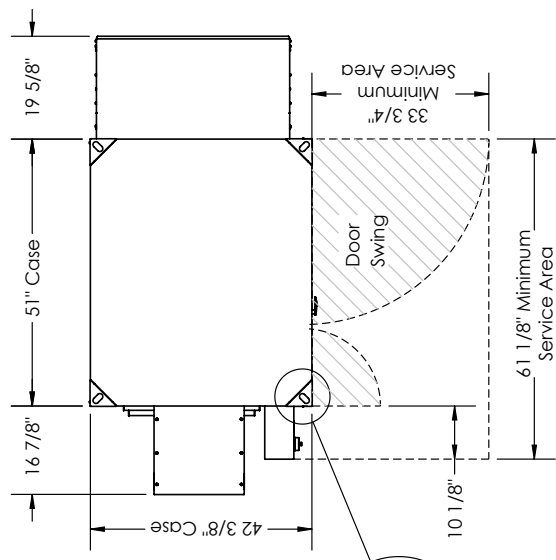


TRC1600RTH-230 ENERGY RECOVERY VENTILATOR

ABBREVIATIONS
 EA: Exhaust Air to outside
 OA: Outside Air intake
 RA: Room Air to be exhausted
 SA: Supply Air to inside
 RTH: Rooftop Horizontal RA & SA

INSTALLATION ORIENTATION
 Unit must be installed in orientation shown.

NOTE:
 1. UNLESS OTHERWISE SPECIFIED, DIMENSIONS ARE ROUNDED TO THE NEAREST EIGHTH OF AN INCH.
 2. SPECIFICATIONS MAY BE SUBJECT TO CHANGE WITHOUT NOTICE.



AIRFLOW ORIENTATION
 Available as shown:



UNIT MOUNTING & APPLICATION
 Must be mounted as shown. Airstreams cannot be switched.