



MODEL IFAB

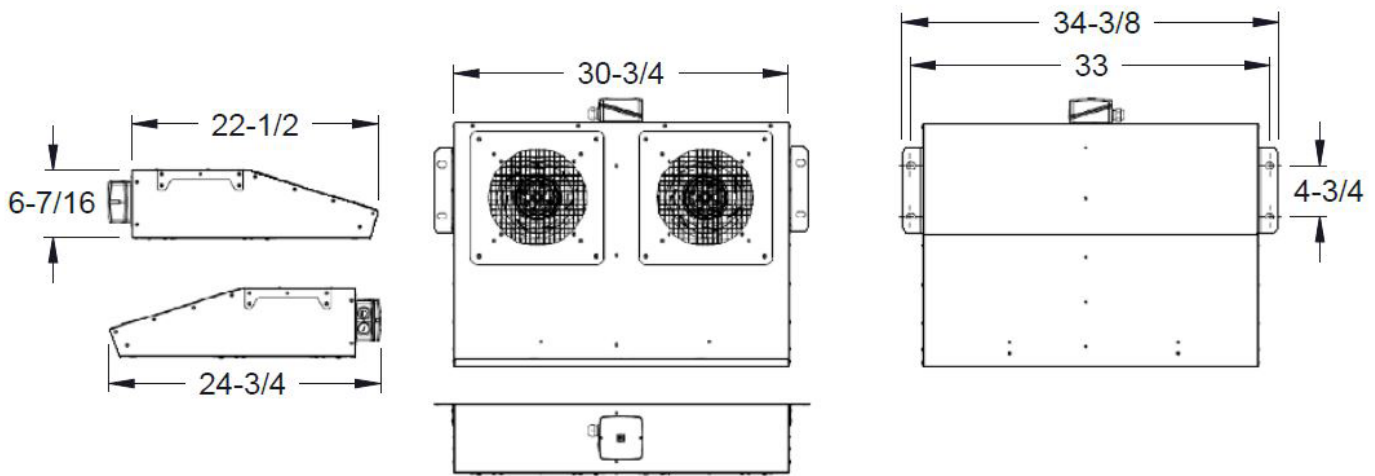
Compact Centrifugal Jet Fan



FEATURES

- Low profile design for low ceiling heights
- Thrust air at 12N
- Air flow up to 1530 CFM
- cULus 705 Listed
- Available in 60 Hz, 115V or 230V
- Industry Best 5 year housing warranty, 1 year motor

DIMENSIONS



PERFORMANCE

Number of Poles	RPM	Thrust (N)	Flow (CFM)	Nominal Power (kW)	Full Load Current 115V (A)	Full Load Current 230V (A)	Frequency (Hz)	Sound Level (LwA)	Weight (lb)*
2	3000	12	1530	0.77	6.6	3.3	60	87	42

*Approximate unit weight includes an average cataloged motor, and no crating