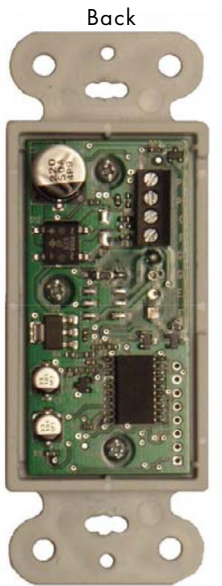




**ADVANCING VENTILATION®**



Front



Back

# SPTL

## Percentage Timer Control

For use with ERV models TR90, TR130, TR200, TR300, TR300, TRe200, TRe300, and TRLPe100/TRLPe100c

## OPERATION

The Percentage Timer Control with indicator lights (SPTL) is the primary control for S&P USA Energy Recovery Ventilator (ERV) models TR90, TR130, TR200, TR300, TR300, TRe200, TRe300, and TRLPe100/TRLPe100c. This proportional runtime control will operate your ERV an adjustable amount of time each hour. When the "Runtime %" light is on, the SPTL control is telling your ERV to operate. Additionally, the SPTL can be set to turn your ERV off or to operate constantly. ERV operation time will vary from application to application as well as time of year, lifestyle, indoor air quality concerns and other factors. Discuss any questions with your HVAC professional or contact S&P directly.

**Constant Operation:** Press the RenewAire logo until the light next to "100" is on.

**Operation Each Hour:** Run time of your ERV can be adjusted from 10%, or 6 minutes each hour, up to 100% operation in 10% increments. Simply press the S&P logo until the light next to the desired percentage amount is lit. You can increase or decrease the run time based upon daily, weekly or monthly variations in occupancy levels, indoor odors, cold weather winter humidity, or other indoor air quality concerns as needed.

**FOR NO REGULAR OPERATION:** Press the logo until all lights are off. The control is off.

## INSTALLATION

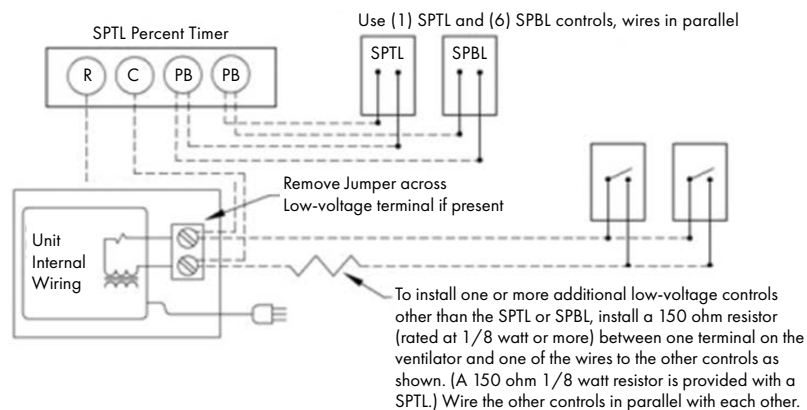
1. Install control in a standard 2"x 4" electrical box, with a minimum depth of 1.5", with the two screws provided.
2. Wire Size: 18-22 gauge, no more than 500 feet. Wiring is non-polar
3. The two wires from the ERV should be attached to the 'C' and 'R' positions on the terminal block on the back of the SPTL Control.
4. Use Lutron Decora™ cover plate to complete installation (single cover plate included).

## PERCENTAGE RUN TIME TABLES

Runtime % Setting	Minutes of operation (PER HOUR)	EQUIVALENT CONTINUOUS OPERATION CFM						
		TRLPe100/TRLPe100c	TR90	TR130	TR200	TR300	TRe200	TRe300
10	6	7	9	13	18	30	21	24
20	12	14	18	26	36	59	42	48
30	18	21	27	39	54	89	63	72
40	24	28	36	52	72	119	84	96
50	30	35	45	65	91	149	105	120
60	36	42	54	78	109	178	126	144
70	42	49	63	91	127	208	147	168
80	48	56	72	104	145	238	168	192
90	54	63	81	117	163	267	189	216
100	60	70	90	130	181	297	210	240

ASHRAE 62.2 2013/16 RESIDENTIAL VENTILATION AIR REQUIREMENTS CONTINUOUS CFM					
FLOOR AREA (FT <sup>2</sup> )	BEDROOMS				
	1	2	3	4	5
<500	30	38	45	53	60
501-1000	45	53	60	68	75
1001-1500	60	68	75	83	90
1501 - 2000	75	83	90	98	105
2001-2501	90	98	105	113	120
2501 - 3000	105	113	120	128	135
3001 - 3500	120	128	135	143	150
3501 - 4000	135	143	150	158	165
4001 - 4500	150	158	165	173	180
4501 - 5000	165	173	180	188	195

## WIRING DIAGRAM



\*Note: For ERV systems with more than one control: Another control other than the push button may be causing your ventilator to run. If you wish to keep your ventilator from running, check that none of your controls are calling for unit operation.