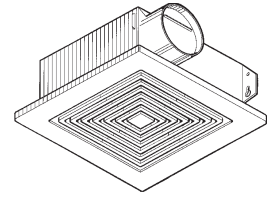


**SOLER & PALAU
BREIDERT AIR PRODUCTS
JENCOFAN**

MODEL FF50
(Part No. 090192101)



CEILING EXHAUST FAN

READ AND SAVE THESE INSTRUCTIONS

WARNING

TO REDUCE THE RISK OF FIRE, ELECTRIC SHOCK, OR INJURY TO PERSONS, OBSERVE THE FOLLOWING:

1. Use this unit only in the manner intended by the manufacturer. If you have questions, contact the manufacturer at the address or telephone number listed in the warranty.
2. Before servicing or cleaning unit, switch power off at service panel and lock the service disconnecting means to prevent power from being switched on accidentally. When the service disconnecting means cannot be locked, securely fasten a prominent warning device, such as a tag, to the service panel.
3. Installation work and electrical wiring must be done by a qualified person(s) in accordance with all applicable codes and standards, including fire-rated construction codes and standards.
4. Sufficient air is needed for proper combustion and exhausting of gases through the flue (chimney) of fuel-burning equipment to prevent backdrafting. Follow the heating equipment manufacturer's guideline and safety standards such as those published by the National Fire Protection Association (NFPA), and the American Society for Heating, Refrigeration and Air Conditioning Engineers (ASHRAE), and the local code authorities.
5. When cutting or drilling into wall or ceiling, do not damage electrical wiring and other hidden utilities.
6. Ducted fans must always be vented to the outdoors.
7. This unit may be used over a tub or shower enclosure when installed in a GFCI protected branch circuit.
8. If this unit is to be installed over a tub or shower, it must be marked as appropriate for the application.
9. Never place a switch where it can be reached from a tub or shower.
10. This unit must be grounded.

CAUTION

1. For general ventilating use only. Do not use to exhaust hazardous or explosive materials and vapors.
2. To avoid motor bearing damage and noisy and/or unbalanced impellers, keep drywall spray, construction dust, etc. off power unit.
3. Please read specification label on product for further information and requirements.

USE AND CARE

DISCONNECT ELECTRIC POWER SUPPLY AND LOCK OUT SERVICE PANEL BEFORE SERVICING THE UNIT.

PREVENTATIVE MAINTENANCE

A clean fan provides better service. Disconnect the power supply and clean the fan as described below:

TO CLEAN GRILLE - Use a mild detergent, such as dishwashing liquid, and dry with a soft cloth. DO NOT USE ABRASIVE CLOTHS, STEEL WOOL PADS, OR SCOURING POWDERS.

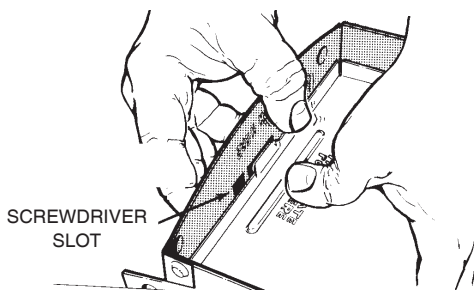
TO CLEAN FAN ASSEMBLY - Unplug motor cord from receptacle. To remove motor plate: Find the single tab on the motor plate (located next to the receptacle). Push up near motor plate tab while pushing out on side of housing. Or insert a straight-blade screwdriver into slot in housing (next to tab) and twist screwdriver. Gently vacuum fan, motor and interior of housing. METAL AND ELECTRICAL PARTS SHOULD NEVER BE IMMERSSED IN WATER.

TO REASSEMBLE ALL ABOVE PARTS - Reverse all procedures explained above.

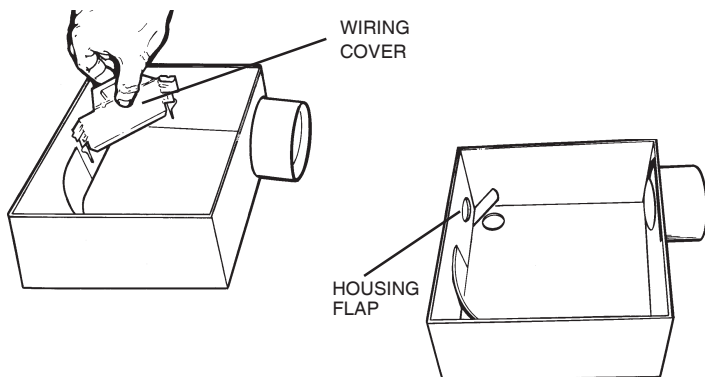
MAINTENANCE

The motor is permanently lubricated and never needs oiling. If the motor bearings are making excessive or unusual noises, replace the motor with the exact service motor. You should replace the impeller at the same time.

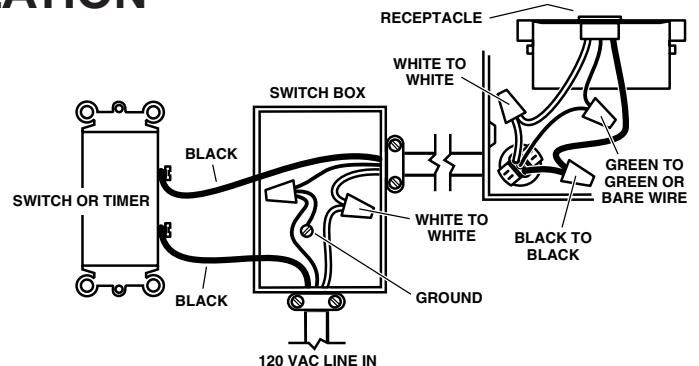
INSTALLATION



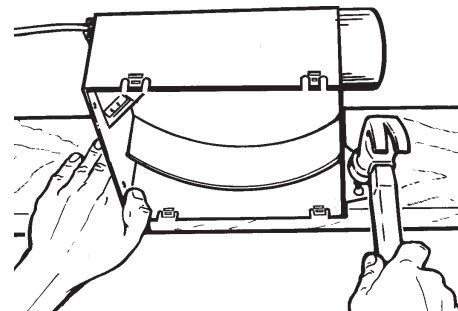
1. Remove motor plate from housing by pushing down on rib in plate while pulling out on side of housing. Motor plate may also be removed by inserting a straight-blade screwdriver into slot in housing and twisting screwdriver.



2. Remove wiring cover from housing by pulling straight out. Unit is shipped ready to wire through the top of housing. To wire through the side, bend housing flap to cover top hole and expose side hole. DO NOT BREAK OFF FLAP. If flap breaks, plug unused hole using standard electrical hole plug.

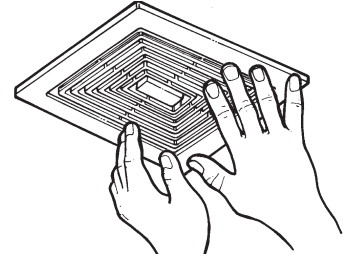
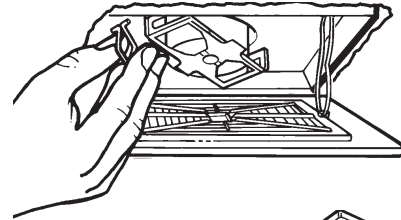
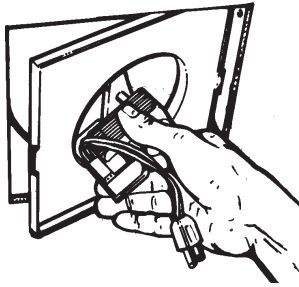


3. Turn off electrical power at service entrance and connect power cable to housing using appropriate connector. Wire black to black, white to white, and green to green or bare wire. Push all wiring up into corner of unit and replace wiring cover. Make sure cover holds housing flap in place against side or top of housing. **CAUTION: DO NOT ALLOW WIRES TO EXTEND OUTSIDE OF WIRING BOX. Wire left exposed will become pinched or cut when motor plate is installed. Electrical shock may result.**
4. Choose the location for your fan. For best performance, use the shortest possible duct run and a minimum number of elbows. For wall installations: Position unit so damper flap closes when unit is off.



5. Use embossed measuring guides on side of housing to position housing for proper wall or ceiling thickness. MAKE SURE HOUSING WILL BE FLUSH WITH FINISHED CEILING OR WALL. Nail housing or stude joist using four nails to ensure a solid, quiet installation.

6. Install 3" round duct onto damper/duct connector. If rigid ductwork is used, its seam should be positioned at top of damper/duct connector. Tape the joint and extend ducting to a wall cap or roof cap. Make sure the damper operates freely. Ceiling or wall can now be finished.

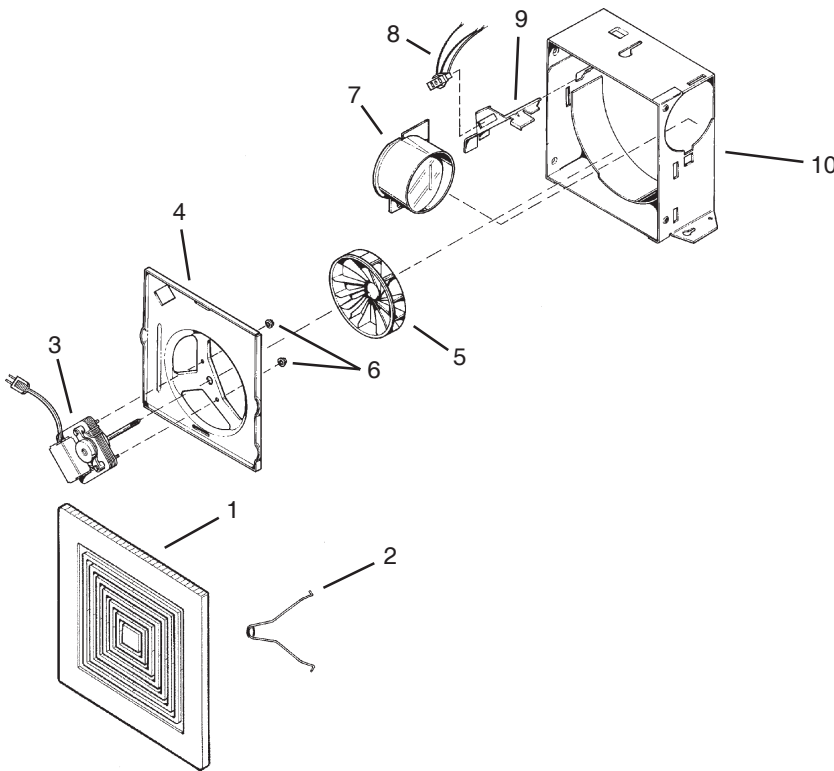


8. Squeeze grille springs together and insert springs into slots in motor plate. Push grille up against ceiling or wall.

NOTE: If damper detaches from duct connector, re-insert it by squeezing duct connector top-to-bottom while guiding posts on damper flap into holders in duct connector. The horizontal rib should be on the outside surface of damper flap and damper flap should move freely inside of duct connector.

7. Replace the motor plate removed in Step 1. Insert two motor plate tabs into slots in housing and then pivot motor plate up until third tab on plate snaps into matching slot in housing. Make sure tabs hold motor plate securely in place. Plug in motor.

SERVICE PARTS



KEY NO.	PART NO.	DESCRIPTION
1	99110752	Grille Only
2	99140137	Grille Springs (2 Required)
	97009346	Grille Assembly (Includes Key Nos. 1 & 2)
3	99080254	Motor
4	98006791	Motor Plate
5	99110655	Blower Wheel
6	99260428	Nut #6-32 (2 Required)
7	97016377	Damper/Duct Connector
8	99271252	Receptacle
9	98006773	Wiring Cover
10	97008319	Housing Assembly

Order replacement parts by part number - not key number.

ONE YEAR LIMITED WARRANTY

Soler & Palau Breidert Air Products JencoFan, warrants all products to be free from defects in material or workmanship for a period of one year from date of shipment. If it appears within one year from date of shipment by the Company to the original purchaser that any such ventilator or the material used therein does not meet the warranties specified above and the purchaser notifies the Company promptly, the Company agrees to remedy any such defect, at the company's option.

This warranty shall not apply to any equipment which has been repaired or altered in any way so as, in the company's judgement, to affect its performance or reliability, nor which has been improperly installed or subjected to misuse, negligence, or accident. Neither shall this warranty apply to labor to remove or install defective parts, profits lost due to failure of the ventilator or electric motors or belts. Electric motors, however, carry the warranty of the motor manufacturer.

This warranty is expressly in lieu of all other warranties expressed or implied, and of all other obligations or liabilities on the company's part. The company neither assumes, nor authorizes any representative or other persons to assume for it, any other liability in connection with the sale of its equipment.

Soler & Palau
Breidert Air Products
JencoFan
6393 Powers Ave
Jacksonville, FL 32217

**READ AND SAVE THESE
INSTRUCTIONS**

WARNING 

TO REDUCE THE RISK OF FIRE, ELECTRIC SHOCK, OR INJURY TO PERSONS, OBSERVE THE FOLLOWING:

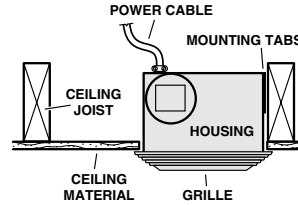
1. Use this unit only in the manner intended by the manufacturer. If you have questions, contact the manufacturer at the address or telephone number listed in the warranty.
2. Before servicing or cleaning unit, switch power off at service panel and lock the service disconnecting means to prevent power from being switched on accidentally. When the service disconnecting means cannot be locked, securely fasten a prominent warning device, such as a tag, to the service panel.
3. Installation work and electrical wiring must be done by a qualified person(s) in accordance with all applicable codes and standards, including fire-rated construction codes and standards.
4. Sufficient air is needed for proper combustion and exhausting of gases through the flue (chimney) of fuel burning equipment to prevent backdrafting. Follow the heating equipment manufacturer's guideline and safety standards such as those published by the National Fire Protection Association (NFPA), and the American Society for Heating, Refrigeration and Air Conditioning Engineers (ASHRAE), and the local code authorities.
5. When cutting or drilling into wall or ceiling, do not damage electrical wiring and other hidden utilities.
6. Ducted fans must always be vented to the outdoors.
7. If this unit is to be installed over a tub or shower, it must be marked as appropriate for the application and be connected to a GFCI (Ground Fault Circuit Interrupter) - protected branch circuit.
8. Never place a switch where it can be reached from a tub or shower.
9. This unit must be grounded.

CAUTION 

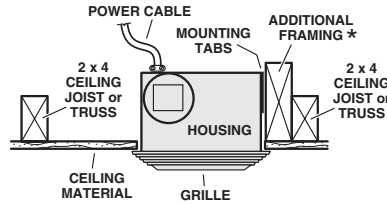
1. For general ventilating use only. Do not use to exhaust hazardous or explosive materials and vapors.
2. To avoid motor bearing damage and noisy and/or unbalanced impellers, keep drywall spray, construction dust, etc. off power unit.
3. Please read specification label on product for further information and requirements.

**Installer: Leave this manual with the homeowner.
Homeowner: Use and Care information on page 4.**

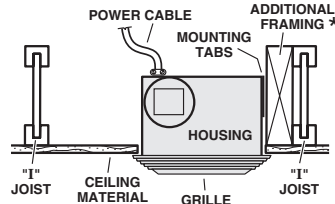
TYPICAL INSTALLATIONS



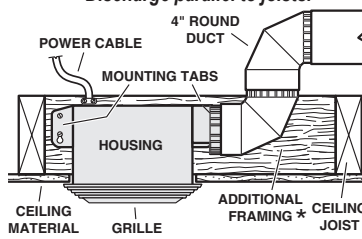
HOUSING MOUNTED DIRECTLY TO JOIST
2x6 (or larger) *Discharge parallel to joists.*



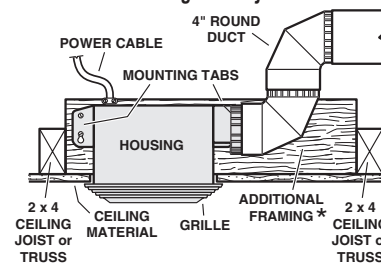
HOUSING MOUNTED TO 2x4 TRUSS
*Requires additional framing for mounting tabs.
Discharge parallel to joists.*



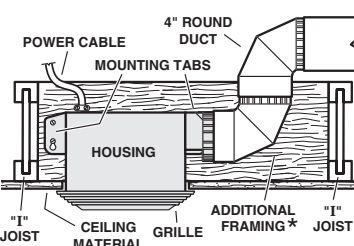
HOUSING MOUNTED TO "1" JOIST
*Requires additional framing for mounting tabs.
Discharge parallel to joists.*



HOUSING MOUNTED TO ADDITIONAL FRAMING
Discharge 90° to joists.



HOUSING MOUNTED TO 2x4 TRUSS
*Requires additional framing for mounting tabs.
Discharge 90° to joists.*



HOUSING MOUNTED TO "1" JOIST
*Requires additional framing for mounting tabs.
Discharge 90° to joists.*

* Additional framing must be a 2x6 (minimum height), at least 9-inches long.

**LISEZ ET CONSERVEZ
CES DIRECTIVES**

AVERTISSEMENT 

AFIN DE DIMINUER LES RISQUES D'INCENDIE, D'ÉLECTROCUTION OU DE BLESSURES, SUIVEZ CES DIRECTIVES :

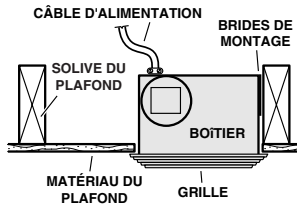
1. N'utilisez cet appareil que de la manière prévue par le fabricant. Pour toute question, adressez-vous à lui à l'adresse ou au numéro de téléphone indiqués dans la garantie.
2. Avant d'effectuer toute réparation ou nettoyage, coupez le courant au panneau électrique et verrouillez le disjoncteur afin d'éviter que le courant ne soit rétabli accidentellement. Si le disjoncteur ne peut être verrouillé, accrochez une affiche ou une étiquette bien en vue sur le panneau.
3. L'installation et les branchements électriques doivent être effectués par un personnel compétent, conformément aux normes et aux codes en vigueur, y compris les normes et les codes du bâtiment relatifs à la résistance au feu.
4. Assurez un apport d'air suffisant par un conduit de cheminée pour la combustion et l'évacuation adéquates des gaz de tout appareil à combustion d'huile afin de prévenir tout refoulement des gaz, conformément aux directives du fabricant et aux consignes de sécurité publiées par des organismes tels que la National Fire Protection Association (NFPA), l'American Society for Heating, Refrigeration and Air Conditioning Engineers (ASHRAE), et les autorités locales.
5. Lors du perçage ou du découpage d'un mur ou d'un plafond, prenez garde de ne pas endommager le câblage électrique ni aucune installation dissimulée. La sortie de tout conduit d'évacuation de ventilateur doit aboutir à l'extérieur.
7. Si cet appareil doit être installé au-dessus d'une baignoire ou d'une douche, il doit comporter les mentions appropriées pour ces utilisations et être connecté à un circuit protégé par un disjoncteur de fuite à la terre (GFCI).
8. Ne placez jamais un interrupteur de sorte que l'on puisse l'atteindre d'une baignoire ou d'une douche.
9. Cet appareil doit être relié à une mise à la terre.

ATTENTION 

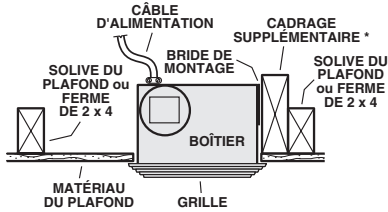
1. Cet appareil ne convient qu'à des fins de ventilation générale. Ne pas l'utiliser pour l'évacuation de matières ou de vapeurs dangereuses ou explosives.
2. Pour éviter que les roulements du moteur ne soient bruyants ou s'abiment, ou de déséquilibrer la roue à ailettes, protégez l'appareil des poussières de placoplâtre et de construction.
3. Veuillez lire l'étiquette des caractéristiques techniques du produit pour de plus amples informations quant aux exigences.

**Installateur : Veuillez laisser ce manuel au propriétaire.
Propriétaire : Voir le mode d'utilisation et d'entretien à la page 4.**

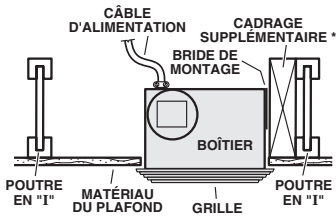
INSTALLATION TYPE



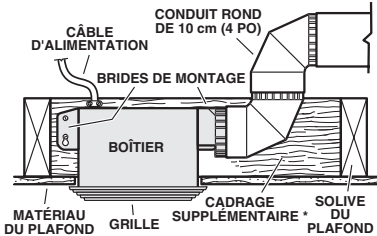
BOÎTIER FIXÉ DIRECTEMENT AUX SOLIVES DE 2x6 (ou plus). Sortie parallèle aux solives.



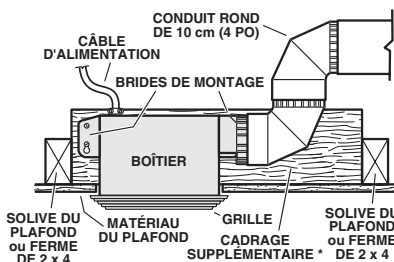
BOÎTIER FIXÉ AUX FERMES DE 2x4 Les brides de montage exigent un cadre supplémentaire. Sortie parallèle aux solives.



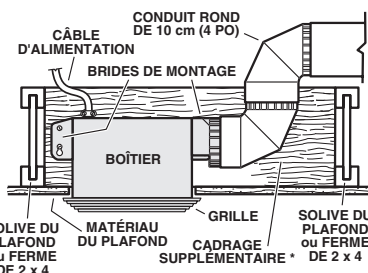
BOÎTIER FIXÉ AUX POUTRES EN "1" Les brides de montage exigent un cadre supplémentaire. Sortie parallèle aux solives.



BOÎTIER FIXÉ À UN CADRE SUPPLÉMENTAIRE Sortie à 90° des solives.



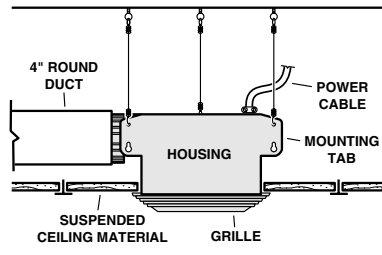
BOÎTIER FIXÉ AUX FERMES DE 2x4 Les brides de montage exigent un cadre supplémentaire. Sortie à 90° des solives.



BOÎTIER FIXÉ AUX POUTRES EN "1" Les brides de montage exigent un cadre supplémentaire. Sortie à 90° des solives.

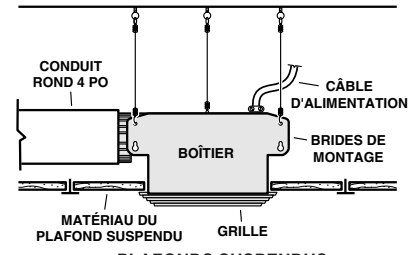
* Cadrage supplémentaire en 2x6 (minimum), d'au moins 23 cm (9 po) de long.

TYPICAL INSTALLATIONS



SUSPENDED CEILINGS
Housing hung with wires - 3-point mount.

INSTALLATION TYPE



PLAFONDS SUSPENDUS
Boîtier suspendu à des fils de fer en 3 points.

INSTALL THE HOUSING

- PLEASE NOTE -

THE FOLLOWING INSTALLATION ILLUSTRATIONS SHOW 2 X 6 JOISTS. IF YOU HAVE A TRUSS OR "I"-JOIST INSTALLATION, MOUNT THE VENTILATOR TO THE ADDITIONAL FRAMING IN THE SAME MANNER. (Additional framing must be a 2x6 (minimum height), at least 9-inches long.)

New Construction

1. Choose the location for your fan in the ceiling. For best possible performance, use the shortest possible duct run and a minimum number of elbows.
2. Position mounting brackets against joist so that bottom edge of housing will be flush with finished ceiling.

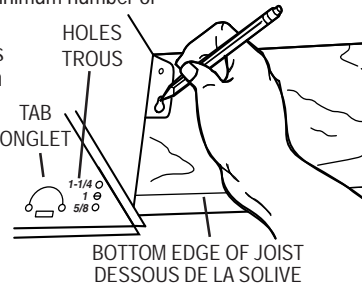
Additional positioning feature for 5/8", 1", & 1-1/4" thick ceiling material:

Holes in corners of housing are labeled with various ceiling material thicknesses. Position housing so bottom edge of joist is visible through a matched set of holes. The housing is now in the proper position for that ceiling material thickness.

Additional positioning feature for 1/2" thick ceiling material:

Bend two tabs, on side of housing, 90° outward. Lift housing until tabs contact underside of joist.

Mark the keyhole slot on both mounting brackets.



Bâtisse en cours de construction

1. Choisissez l'emplacement du ventilateur au plafond. Pour obtenir un rendement optimal, utilisez un minimum de conduits et de coudes.

2. Positionnez les brides de montage dans les coins pour différentes épaisseurs de plafonds. Placez le boîtier de sorte que le dessous de la solive soit visible dans la série de trous correspondante. Le boîtier est alors dans la position adéquate pour cette épaisseur de plafond.

Positionnement dans des plafonds de 5/8, 1 et 1-1/4 po (16, 25 et 32 mm) d'épaisseur :

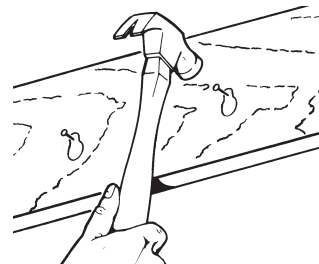
Des trous sont marqués dans les coins pour différentes épaisseurs de plafonds. Placez le boîtier de sorte que le dessous de la solive soit visible dans la série de trous correspondante. Le boîtier est alors dans la position adéquate pour cette épaisseur de plafond.

Positionnement dans un plafond de 1/2 po (12 mm) d'épaisseur :

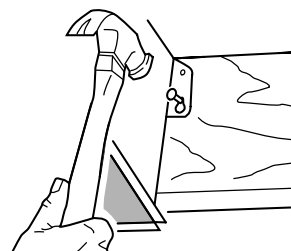
Dépliez deux onglets sur les côtés du boîtier, à 90° vers l'extérieur. Soulevez le boîtier afin que les onglets s'appuient contre le dessous de la solive.

Marquez le trou en forme de serrure sur chaque bride.

3. Set housing aside and drive nails partially into joist at the top of both keyhole marks.



4. Hang housing from nails and pound nails tight. To ensure a noise-free mount, pound another nail through the top hole of each mounting tab.



3. Mettez le boîtier de côté et enfoncez partiellement un clou dans le haut des marques en trous de serrure.

4. Suspendez le boîtier aux clous puis enfoncez-les complètement. Pour assurer un fonctionnement silencieux, enfoncez un autre clou dans le trou supérieur de chaque bride.

INSTALL THE HOUSING

Existing Construction

1. Choose the location for your fan in the ceiling. For best possible performance, use the shortest possible duct run and a minimum number of elbows.
2. In attic, position mounting brackets against joist. Trace outline of housing on ceiling material.
3. Set housing aside and cut ceiling opening slightly larger than marked.
4. Place housing in opening so that its bottom edge is flush with finished ceiling. Nail to joist through keyhole on both sides. To ensure a noise-free installation, drive another nail through the top hole of each mounting bracket.
5. Additional mounting holes are provided for installations where access from above is inconvenient or not possible. Nail or screw housing directly to joists or framing.

INSTALL THE DUCTWORK

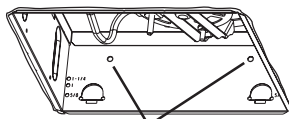
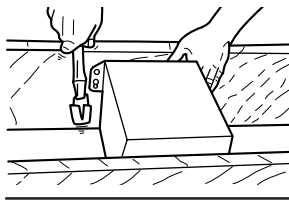
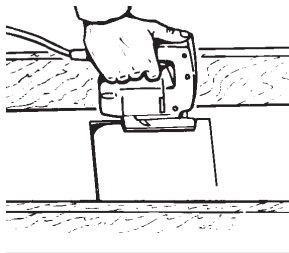
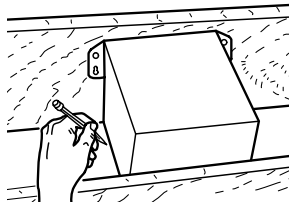
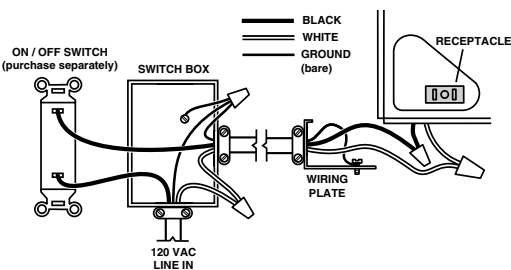
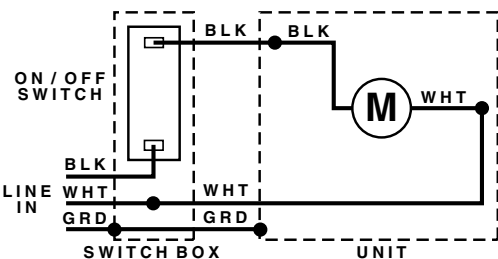
1. Snap the damper/duct connector onto housing. Make sure that tabs on the connector lock into slots in housing. Top of damper/duct connector should be flush with top of housing.
2. Connect 4" round duct to damper/duct connector and extend duct to outside through a roof or wall cap. Check damper to make sure that it opens freely. Tape all duct connections to make them secure and air tight.

CONNECT THE WIRING

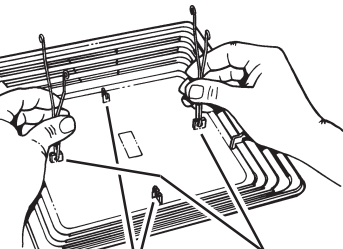
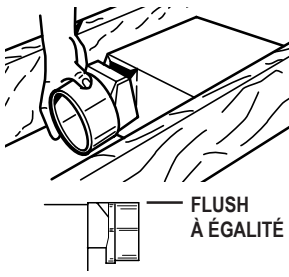
1. Wire unit following diagram. Run electrical cable as direct as possible to unit. Do not allow cable to touch sides or top of unit after installation is complete.

ATTACH THE GRILLE

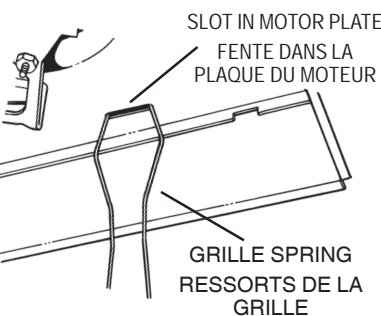
1. Squeeze grille springs together and insert springs into slots in motor plate.
NOTE: If desired, rotate grille 90° and move springs to optional tabs.
2. Push grille up against ceiling.



ADDITIONAL MOUNTING HOLES
TROUS DE FIXATION
SUPPLÉMENTAIRES



OPTIONAL TABS
ONGLETS SUPPLÉMENTAIRES



SLOT IN MOTOR PLATE
FENTE DANS LA
PLAQUE DU MOTEUR

INSTALLATION DU BOÎTIER

Bâtisse déjà construite

1. Choisissez l'emplacement du ventilateur au plafond. Pour obtenir un rendement optimal, utilisez un minimum de conduits et de coudes.
2. Dans le grenier, positionnez les brides de montage contre la solive. Tracez le contour du boîtier sur le matériau du plafond.
3. Mettez le boîtier de côté et découpez l'ouverture légèrement plus grande que celle tracée.
4. Placez le boîtier dans l'ouverture de sorte que son arête inférieure soit au ras de la surface finie du plafond. Clouez chaque bride à la solive à travers les trous en forme de serrure. Pour assurer un fonctionnement silencieux, enfoncez un autre clou dans le trou supérieur de chaque bride.
5. Des trous de fixation supplémentaires sont prévus pour les installations où l'accès du dessus est difficile ou impossible. Vissez ou clouez le boîtier directement aux solives ou au cadre.

INSTALLATION DES CONDUITS

1. Enclenchez le connecteur à clapet dans le boîtier. Assurez-vous que les onglets du connecteur sont correctement bloqués dans les fentes du boîtier. Le dessus du connecteur doit être à égalité avec le dessus du boîtier.
2. Raccordez un conduit rond de 10 cm (4 po) au connecteur et acheminez le conduit à l'extérieur à travers un chapeau de toit ou une sortie murale. Vérifiez que le clapet s'ouvre librement. Étanchez tous les joints au ruban adhésif.

RACCORD DU CÂBLAGE

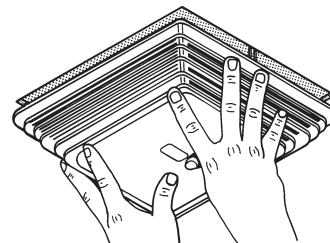
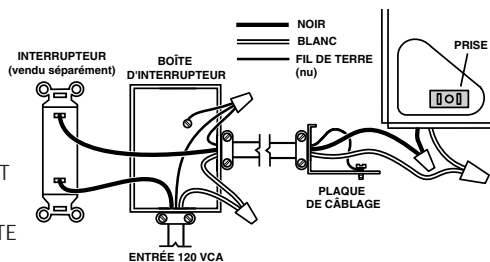
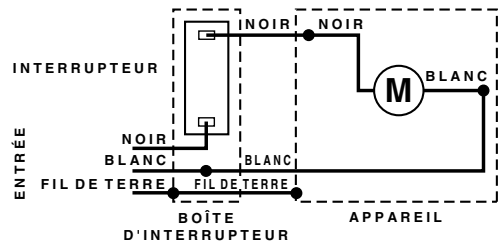
1. Connectez l'appareil tel qu'indiqué dans le diagramme. Acheminez le câble électrique le plus directement possible à l'appareil. Ne laissez pas le câble toucher les côtés ou le dessus du boîtier, une fois l'installation terminée.

FIXATION DE LA GRILLE

1. Comprimez les ressorts de la grille et insérez-les dans les fentes de la plaque du moteur.

REMARQUE :
Si désiré, vous pouvez tourner la grille de 90° en accrochant les ressorts aux onglets supplémentaires.

2. Poussez la grille contre le plafond.



GRILLE SPRING
RESSORTS DE LA
GRILLE

USE AND CARE

WARNING: DISCONNECT ELECTRICAL POWER SUPPLY AND LOCK OUT SERVICE PANEL BEFORE CLEANING OR SERVICING THIS UNIT.

The motor is permanently lubricated. Do not oil or disassemble motor.

TO CLEAN GRILLE:

CAUTION: Plastic parts can be cleaned with mild, soapy water (use a mild detergent, such as dishwashing liquid) and dried with a soft cloth. **Do not use abrasive cloth, steel wool pads, or scouring powders.**

TO CLEAN FAN ASSEMBLY:

Unplug fan assembly. To remove motor plate: Find the single tab on the motor plate (located next to the receptacle). Push up near motor plate tab while pushing out on side of housing. Or insert a straight-blade screwdriver into slot in housing (next to tab) and twist screwdriver. Gently vacuum fan, motor and interior of housing. **METAL AND ELECTRICAL PARTS SHOULD NEVER BE IMMERSSED IN WATER.**

UTILISATION ET ENTRETIEN

AVERTISSEMENT: COUPEZ LE COURANT AU PANNEAU ÉLECTRIQUE ET VERROUILLEZ CELUI-CI AVANT L'ENTRETIEN OU LE NETTOYAGE DU VENTILATEUR.

Le moteur est graissé en permanence. Ne pas huiler ni démonter le moteur.

NETTOYAGE DE LA GRILLE :

ATTENTION : Les pièces de plastique peuvent être nettoyées à l'eau savonneuse (avec un détergent doux comme du liquide à vaisselle) puis asséchées avec un chiffon doux. **Ne pas utiliser de chiffon abrasif, ni laine d'acier ni poudre à récurer.**

NETTOYAGE DU VENTILATEUR :

Débranchez le ventilateur. Pour retirer la plaque du moteur : Trouvez l'onglet sur la plaque du moteur (à proximité de la prise). Soulevez l'onglet tout en poussant sur les côtés du boîtier. Ou encore, insérez la lame d'un tournevis plat dans la fente du boîtier (à côté de l'onglet) et tournez le tournevis. À l'aide d'un aspirateur, nettoyez délicatement la roue à ailettes, le moteur et l'intérieur du boîtier. **NE JAMAIS PLONGER LES PIÈCES MÉTALLIQUES ET ÉLECTRIQUES DANS L'EAU.**

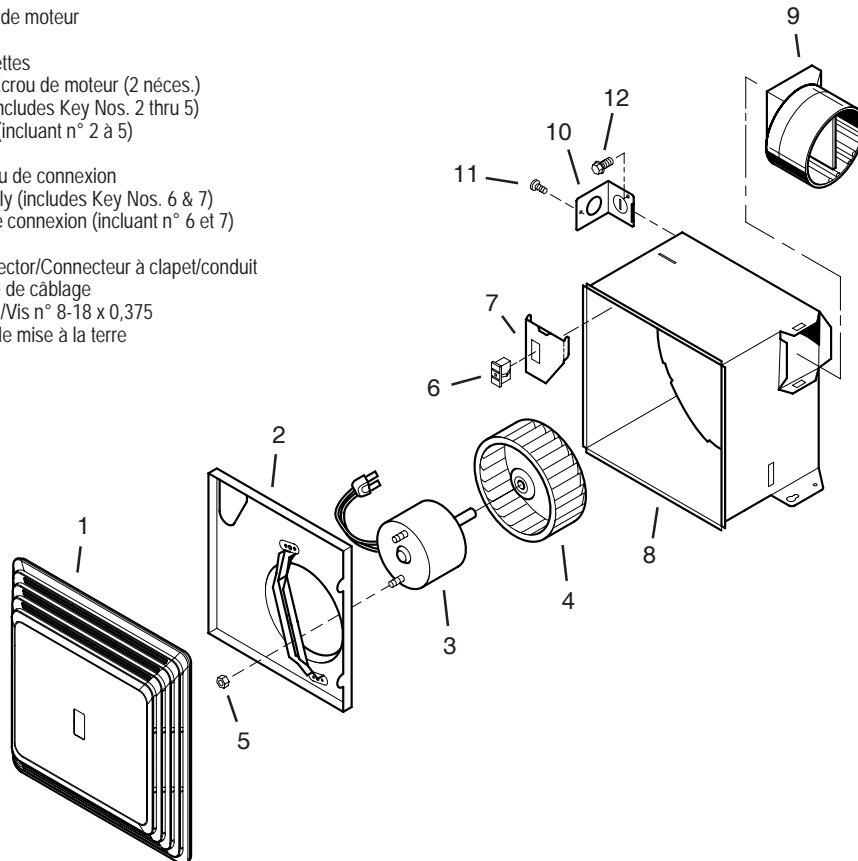
SERVICE PARTS/PIÈCES DE RECHANGE

KEY N° REPÈRE	PART NO. N° PIÈCE	DESCRIPTION
1	97013576	Grille
2	97014926	Motor Plate/Plaque de moteur
3	99080518	Motor/Moteur
4	99020276	Impeller/Roue à ailettes
5	99260425	Motor Nut (2 req.)/Écrou de moteur (2 néces.)
*	97015159	Blower Assembly (includes Key Nos. 2 thru 5) Ens. du ventilateur (incluant n° 2 à 5)
6	99270982	Receptacle/Prise
7	98009611	Wire Panel/Panneau de connexion
*	97015170	Wire Panel Assembly (includes Key Nos. 6 & 7) Ens. de panneau de connexion (incluant n° 6 et 7)
8	97014922	Housing/Boîtier
9	97003932	Damper/Duct Connector/Connecteur à clapet/conduit
10	98008868	Wiring Plate/Plaque de câblage
11	99150575	Screw, #8-18 x .375/Vis n° 8-18 x 0,375
12	99150471	Ground Screw/Vis de mise à la terre

* Not shown assembled.
Order replacement parts by
"PART NO." - not by "KEY NO."

* Illustré démonté.

Veuillez commander les pièces de rechange par N° PIÈCE - et non par N° REPÈRE.



ONE YEAR LIMITED WARRANTY

Soler & Palau Breidert Air Products JencoFan, warrants all products to be free from defects in material or workmanship for a period of one year from date of shipment. If it appears within one year from date of shipment by the Company to the original purchaser that any such ventilator or the material used therein does not meet the warranties specified above and the purchaser notifies the Company promptly, the Company agrees to remedy any such defect, at the company's option.

This warranty shall not apply to any equipment which has been repaired or altered in any way so as, in the company's judgement, to affect its performance or reliability, nor which has been improperly installed or subjected to misuse, negligence, or accident. Neither shall this warranty apply to labor to remove or install defective parts, profits lost due to failure of the ventilator or electric motors or belts. Electric motors, however, carry the warranty of the motor manufacturer.

This warranty is expressly in lieu of all other warranties expressed or implied, and of all other obligations or liabilities on the company's part. The company neither assumes, nor authorizes any representative or other persons to assume for it, any other liability in connection with the sale of its equipment.

Breidert Air Products
JencoFan
6393 Powers Ave
Jacksonville, FL 32217

GARANTIE LIMITÉE D'UN AN

Soler & Palau Breidert Air Products JencoFan garantit ses produits contre tout défaut de matériau ou de fabrication pendant une année, à compter de la date d'expédition. S'il s'avère, moins d'un an après que la société ait expédié le produit à l'acheteur initial, que le ventilateur ou les matériaux qui le composent ne respectent pas les garanties stipulées ci-haut, dans la mesure où l'acheteur en a promptement avisé la société, celle-ci s'engage à corriger lesdites défectuosités, à sa seule option, en réparant toute pièce défectueuse ou en fournissant à l'usine de la société une pièce réparée ou de rechange.

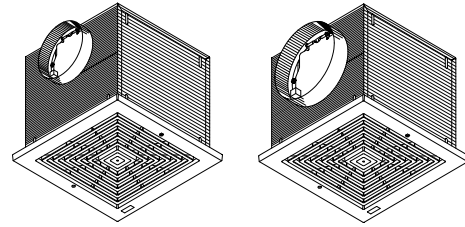
La présente garantie ne s'applique à aucun équipement qui aura été modifié ou réparé de telle sorte, selon l'opinion de la société, à affecter ses performances ou sa fiabilité, ou qui aura été mal installé ou fait l'objet d'une mauvaise utilisation, d'une négligence ou d'un accident. Cette garantie ne couvre ni la main-d'oeuvre nécessaire pour le démontage ou l'installation de pièces, ni les pertes de profit attribuables à une défaillance du ventilateur, des moteurs électriques ou des courroies. Les moteurs électriques sont toutefois couverts par la garantie de leur fabricant.

Les pièces défectueuses doivent être renvoyées à la société avant l'émission d'aucun crédit. Ces pièces doivent être retournées tous frais de port payés. Les expéditions en port dû ou contre remboursement seront refusées.

Cette garantie remplace formellement toute autre garantie expresse ou tacite, ainsi que toute autre obligation ou responsabilité de la part de la société. Celle-ci n'assume aucune autre responsabilité relative à la vente de ses équipements et n'autorise aucun de ses représentants ou quiconque à l'assumer en son nom.

Breidert Air Products
JencoFan
6393 Powers Ave.
Jacksonville, FL 32217

CEILING / WALL-MOUNT VENTILATORS • 120V



READ AND SAVE THESE INSTRUCTIONS

WARNING

TO REDUCE THE RISK OF FIRE, ELECTRIC SHOCK, OR INJURY TO PERSONS, OBSERVE THE FOLLOWING:

1. Use this unit only in the manner intended by the manufacturer. If you have questions, contact the manufacturer at the address or telephone number listed in the warranty.
2. Before servicing or cleaning unit, switch power off at service panel and lock the service disconnecting means to prevent power from being switched on accidentally. When the service disconnecting means cannot be locked, securely fasten a prominent warning device, such as a tag, to the service panel.
3. Installation work and electrical wiring must be done by a qualified person(s) in accordance with all applicable codes and standards, including fire-rated construction codes and standards.
4. Sufficient air is needed for proper combustion and exhausting of gases through the flue (chimney) of fuel burning equipment to prevent backdrafting. Follow the heating equipment manufacturer's guideline and safety standards such as those published by the National Fire Protection Association (NFPA), and the American Society for Heating, Refrigeration and Air Conditioning Engineers (ASHRAE), and the local code authorities.
5. When cutting or drilling into wall or ceiling, do not damage electrical wiring and other hidden utilities.
6. Ducted fans must always be vented to the outdoors.
7. To reduce the risk of fire, use only metal ductwork.
8. If this unit is to be installed over a tub or shower, it must be marked as appropriate for the application and be connected to a GFCI (Ground Fault Interrupter) - protected branch circuit.
9. Never place a switch where it can be reached from a tub or shower.
10. This unit must be grounded.

CAUTION

1. For general ventilating use only. Do not use to exhaust hazardous or explosive materials and vapors.
2. To avoid motor bearing damage and noisy and/or unbalanced impellers, keep drywall spray, construction dust, etc. off power unit.
3. Please read specification label on product for further information and requirements.

TABLE OF CONTENTS

This manual is divided into sections as follows:

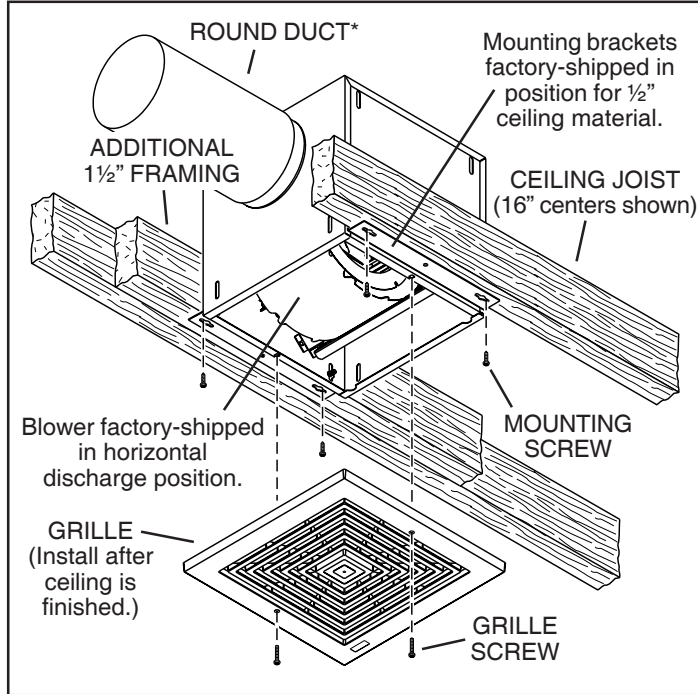
- **“TYPICAL INSTALLATION”**
 - This section shows a common installation in new and existing, frame construction.
 - Mounting (new construction)
 - Mounting (existing construction)
 - Wiring
 - Ducting (horizontal blower discharge)
- **“MOUNTING OPTIONS”**
- **“WIRING OPTIONS”**
 - Wiring Plate Position
- **“DUCTING OPTIONS”**
 - Blower Discharge Positions
 - Ducting (vertical blower discharge)
- **“USE AND CARE”**
- **“SERVICE PARTS”**
- **“WARRANTY”**

Installer: Leave this manual with the homeowner.

Homeowner: Use and Care information on page 3.

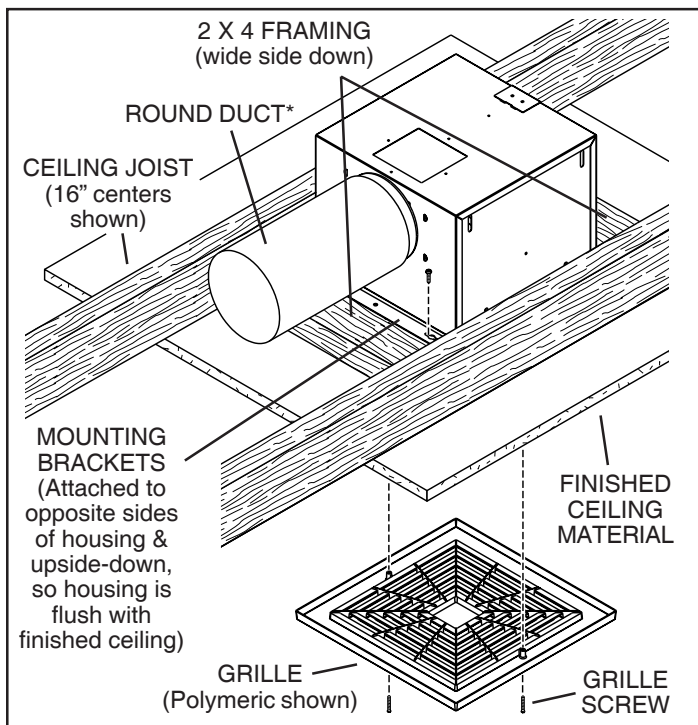
TYPICAL INSTALLATION

MOUNTING (New Frame Construction)



Factory-shipped unit installed in new construction.

MOUNTING (Existing Frame Construction)

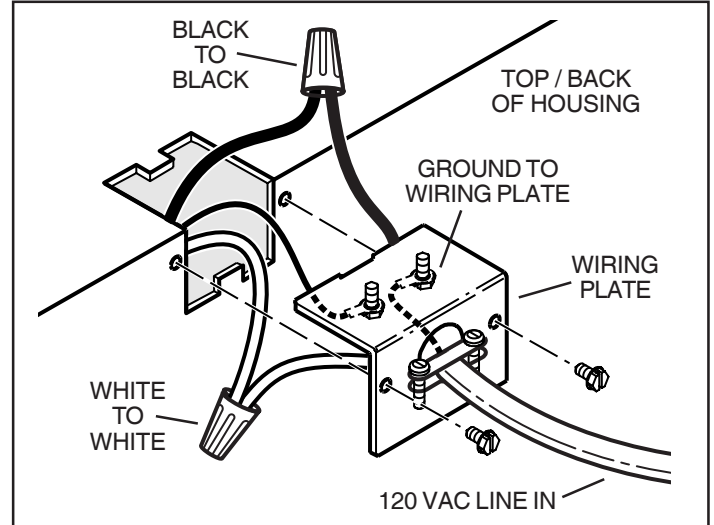


Factory-shipped unit installed in existing construction.

* FF100 & FF150 use 6" round duct.
 FF200, FF250 & FF300 use 8" round duct.

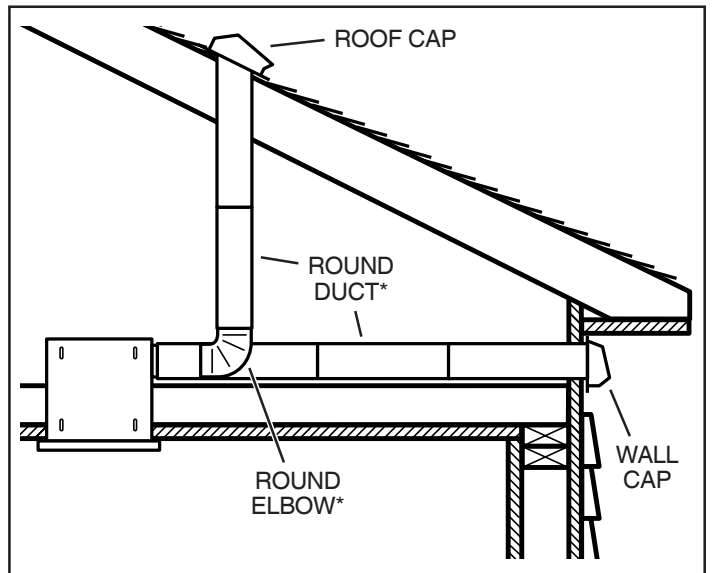
TYPICAL INSTALLATION

WIRING



*Ventilator can be wired from outside of housing.
 Use UL approved connectors to wire per local codes.*

DUCTING (Horizontal blower discharge)



Two ways to connect ductwork to a factory-shipped unit.

* FF100 & FF150 use 6" round duct.
 FF200, FF250 & FF300 use 8" round duct.

IMPORTANT:

Remove shipping tape from damper

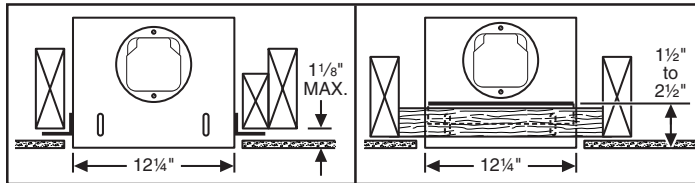
Remove the shipping tape from the damper flap and make sure that damper flap opens and closes freely inside the ductwork. Use duct tape to make ductwork connections secure and air-tight.

Remove shipping ring from blower inlet

Remove the shipping ring from the blower inlet before operating the ventilator.

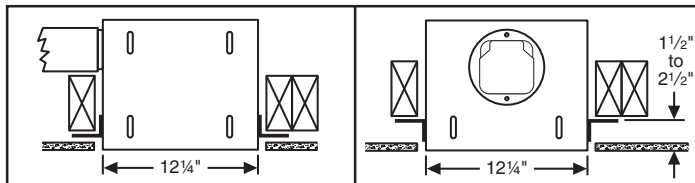
MOUNTING OPTIONS

¼-20 hex nuts secure mounting brackets to housing. Loosen and re-tighten or remove and replace nuts as necessary for desired mounting bracket position.



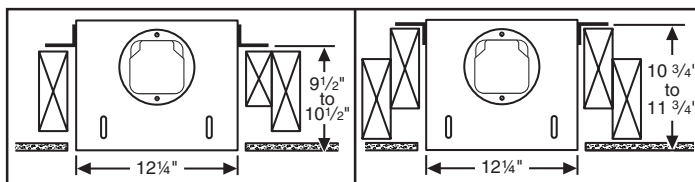
Mounting brackets in factory-shipped position. (Outlet parallel to joists.) (New construction)

Mounting brackets flipped over and mounted to outlet sides of housing. (Outlet parallel to joists.) (Existing construction)



Mounting brackets mounted to outlet sides of housing. (Outlet perpendicular to joists.) (New construction)

Mounting brackets flipped over to give approx. 1" more clearance. (Outlet parallel to joists.) (New construction)

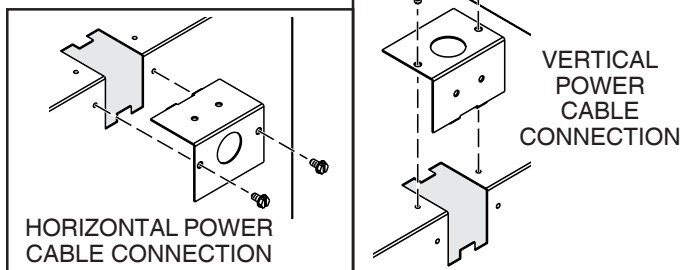


Mounting brackets mounted to top of sides of housing. (Outlet parallel to joists.) (New or existing construction)

Mounting brackets flipped over and mounted to top of sides of housing. (Outlet parallel to joists.) (New or existing construction)

WIRING OPTIONS

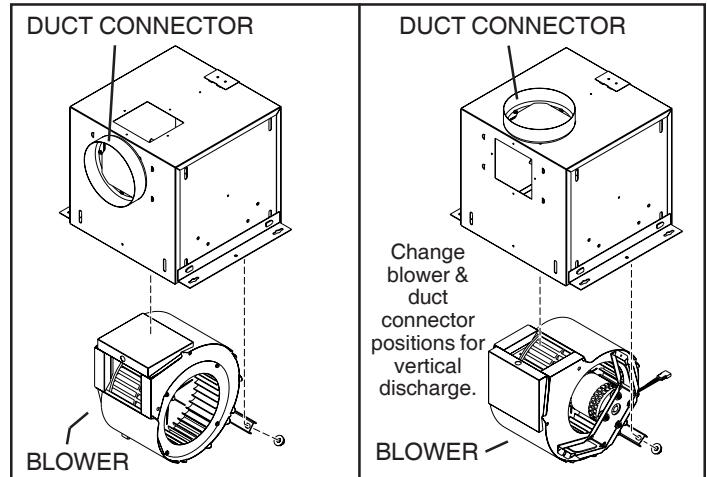
WIRING PLATE POSITION



Wiring plate mounts to side or top of housing.

DUCTING OPTIONS

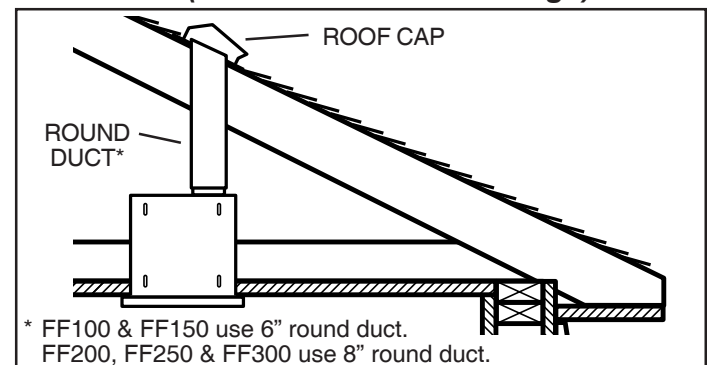
BLOWER DISCHARGE POSITIONS



Blower and duct connector in horizontal discharge position. (Factory shipped)

Blower and duct connector in vertical discharge position.

DUCTING (Vertical blower discharge)



* FF100 & FF150 use 6" round duct.
FF200, FF250 & FF300 use 8" round duct.

Typical ductwork connection to a ventilator converted to vertical discharge.

USE AND CARE

Ventilator is designed for continuous operation. If desired, it may be controlled using an on/off switch or a solid-state, variable speed control. Follow wiring instructions packed with control, and adhere to all local and state codes, and the National Electrical Code.

WARNING: To reduce the risk of electric shock, disconnect from power supply before servicing.

To clean grille: Use appropriate vacuum attachment or remove grille and clean with a soft cloth and mild soap or detergent. Dry grille thoroughly before reinstalling.

To clean blower assembly: Remove grille, unplug blower from housing, remove blower mounting nuts, and carefully remove blower from housing. Use appropriate vacuum attachment or a soft cloth and mild soap or detergent to clean blower discharge area and wheel. **DO NOT ALLOW WATER TO ENTER MOTOR.** Make sure blower assembly is completely dry before reinstalling.

Motor is permanently lubricated. Do not oil or disassemble motor.

SERVICE PARTS

KEY NO.	PART NO.	DESCRIPTION
1	97014725 97014726	Housing Assembly (FF100 & FF150) Housing Assembly (FF200, FF250, & FF300)
2	97014728	Mounting Bracket (2 req.)
3	97014760 97014761	Damper Assembly (6" dia.) Damper Assembly (8" dia.)
4	99150415	Screw, 8-18 x 1/4 (12 req.)*
5	98005513	Wire Box Cover
6	99400035	Strain Relief Bushing
7	98005512	Wiring Plate
8	99150471	Ground Screw, 10-32 x 1/2 (2 req.)
9	97014774 97014775	Scroll Assembly (FF100 & FF150) Scroll Assembly (FF200, FF250, & FF300)
10	98009399	Inlet Ring
11	99110805	Blower Wheel
12	99080481 99080482 99080483 99080484 99080485	Motor (FF100) Motor (FF150) Motor (FF200) Motor (FF250) Motor (FF300)
13	99260558	Lock Nut, 8-32 (4 req.)*
14	99250959	Washer (4 req.)*
15	99100491	Grommet (4 req.)
	97014800 97014801 97014802 97014803 97014804	Blower Assembly, Complete (Includes Key Nos. 4 & 9-15) (FF100) (FF150) (FF200) (FF250) (FF300)
16	99260477	Nut, 1/4-20 (6 req.)*
17	97006039	Wire Harness
18	99500390	Wrapper Insulation
19	99500391	Side Insulation (2 req.)
20	99420466	Insulation Mounting Clip
21	99110807	Grille
22	99420470	Grille Nut (2 req.)
23	99150472	Grille Mounting Screw (2 req.)
24	99150591	Screw, 10-16 x 7/8 (4 req.)*

Order replacement parts by PART NO. - not by KEY NO.

* Standard hardware - may be purchased locally.

WARRANTY

ONE YEAR LIMITED WARRANTY

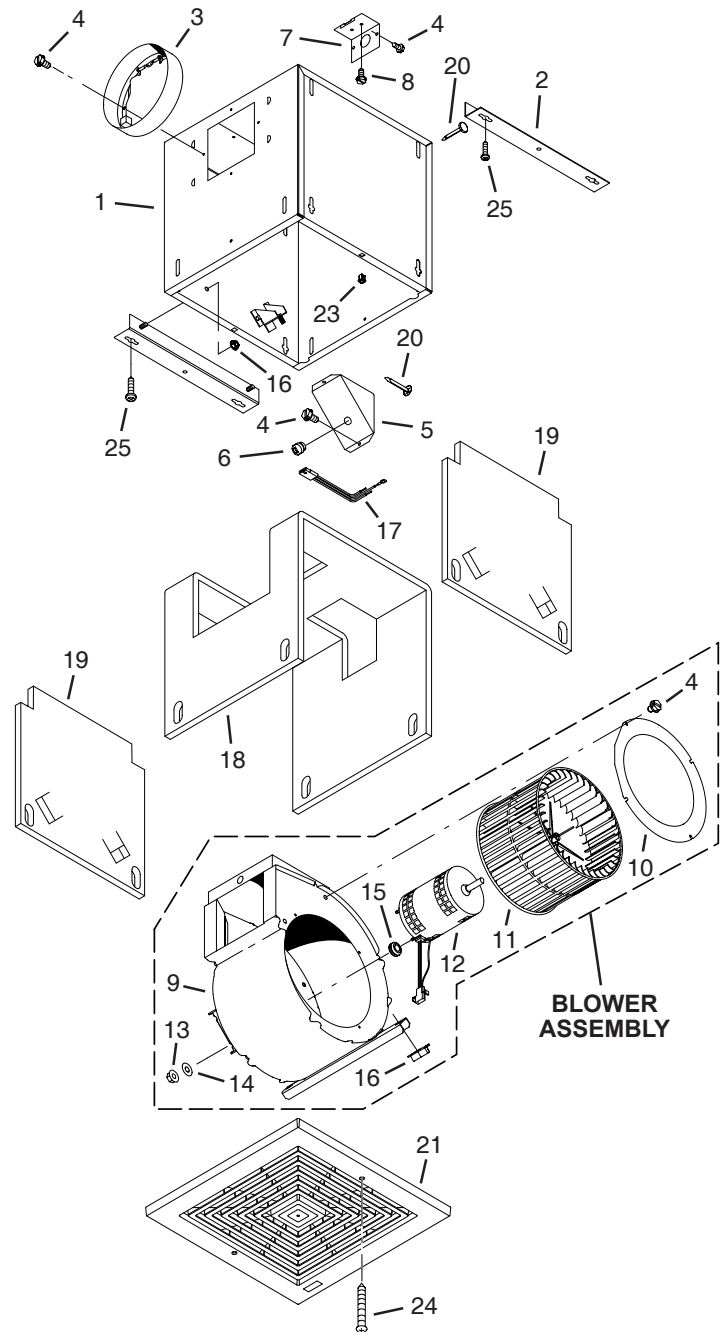
Soler & Palau Breidert Air Products JencoFan, warrants all products to be free from defects in material or workmanship for a period of one year from date of shipment. If it appears within one year from date of shipment by the Company to the original purchaser that any such ventilator or the material used therein does not meet the warranties specified above and the purchaser notifies the Company promptly, the Company agrees to remedy any such defect, at the company's option.

This warranty shall not apply to any equipment which has been repaired or altered in any way so as, in the company's judgement, to affect its performance or reliability, nor which has been improperly installed or subjected to misuse, negligence, or accident. Neither shall this warranty apply to labor to remove or install defective parts, profits lost due to failure of the ventilator or electric motors or belts. Electric motors, however, carry the warranty of the motor manufacturer.

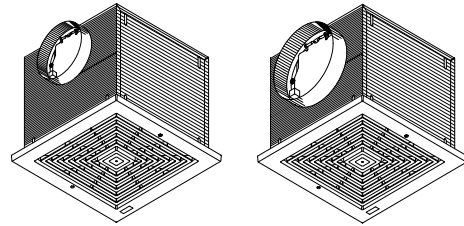
This warranty is expressly in lieu of all other warranties expressed or implied, and of all other obligations or liabilities on the company's part. The company neither assumes, nor authorizes any representative or other persons to assume for it, any other liability in connection with the sale of its equipment.

Soler & Palau
Breidert Air Products
JencoFan
6393 Powers Ave
Jacksonville, FL 32217

SERVICE PARTS



VENTILATEURS MONTAGE AU PLAFOND • 120V



LIRE ET CONSERVER CES INSTRUCTIONS

AVERTISSEMENT

POUR RÉDUIRE LE RISQUE D'INCENDIE, DE CHOC ÉLECTRIQUE OU DE BLESSURES PERSONNELLES, OBSERVEZ CE QUI SUIT:

1. Utilisez cette unité seulement de la façon prévue par le fabricant. Pour d'autres renseignements, contactez le fabricant à l'adresse ou au numéro de téléphone qui se trouve dans la garantie.
2. Avant d'effectuer une réparation ou un entretien sur cet appareil, coupez le courant au tableau d'alimentation et verrouillez celui-ci pour empêcher que la tension soit remise accidentellement. Lorsque le verrouillage de la déconnexion n'est pas possible, mettez bien en vue un signal d'avertissement telle qu'une étiquette, sur le panneau d'alimentation.
3. L'installation et la pose des fils électriques doivent être effectuées par une ou des personnes qualifiées conformément à tous les codes et normes applicables, incluant les normes de construction en rapport aux incendies.
4. Il faut suffisamment d'air pour une combustion appropriée et l'échappement des gaz par le tuyau de la cheminée de l'équipement brûlant du combustible pour prévenir un contre-courant. Suivez les instructions du fabricant de l'équipement de chauffage et les normes de sécurité telles que celles publiées par la National Fire Protection Association (NFPA) et l'American Society for Heating, Refrigeration and Air Conditioning Engineers (ASHRAE) et des autorités du code local.
5. Lors de la coupe ou du perçage dans un mur ou un plafond, prenez soin de ne pas endommager les fils électriques et les autres utilités dissimulées.
6. La décharge des ventilateurs à conduit par l'évent doit toujours se faire à l'extérieur.
7. Pour réduire le risque d'incendie, utilisez seulement des conduits de ventilation en métal.
8. Si cette unité doit être installée au-dessus d'une baignoire ou d'une douche, elle doit être marquée comme étant appropriée pour l'application et être connectée à un circuit dérivé protégé GFCI (interrupteur de circuit en cas de défaut de mise à la terre du neutre).
9. Ne placez jamais un interrupteur dans un endroit où il peut être rejoint d'une baignoire ou d'une douche.
10. Cette unité doit être mise à la terre.

ATTENTION

1. Pour ventilation générale seulement. Ne l'utilisez pas pour évacuer les vapeurs ou matériaux dangereux ou que peuvent exploser.
2. Pour éviter d'endommager les coussinets du moteur et des turbines bruyantes et/ou mal équilibrées, assurez que l'unité motrice est exempte de poussière provenant des murs en pierres sèches et la construction.
3. Veuillez lire l'étiquette de spécifications sur le produit pour d'autres renseignements et exigences.

TABLE DES MATIÈRES

Ce manuel se divise comme suit :

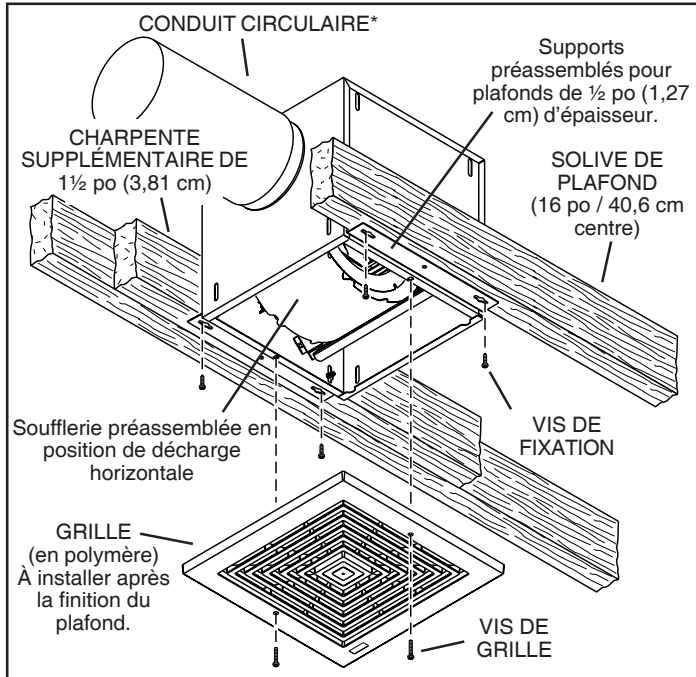
- **INSTALLATION TYPIQUE**
Cette section montre une installation standard dans un bâtiment en cours de construction ou déjà construit.
 - Montage (construction en cours)
 - Montage (construction terminée)
 - Câblage
 - Installation des conduits (décharge de soufflerie horizontale)
- **OPTIONS DE MONTAGE**
- **OPTIONS DE CÂBLAGE**
 - Position de la plaque de câblage
- **OPTIONS D'INSTALLATION DES CONDUITS**
 - Positions de la décharge de la soufflerie
 - Installation des conduits (décharge de soufflerie verticale)
- **UTILISATION ET ENTRETIEN**
- **PIÈCES DE RECHANGE**
- **GARANTIE**

Installateur: Remettez ce manuel au propriétaire de maison.

Propriétaire de maison: Mode d'utilisation et soin à la page 7.

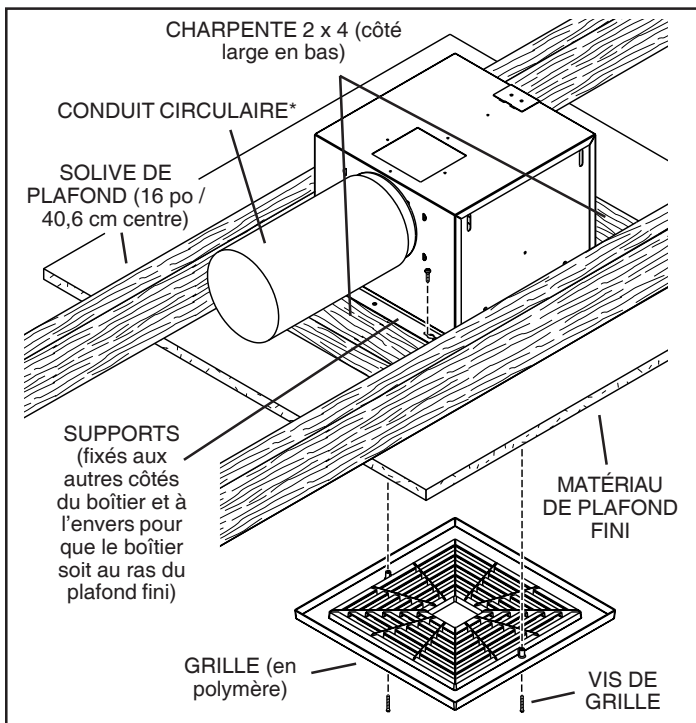
INSTALLATION TYPIQUE

MONTAGE (Construction en cours)



Appareil installé dans un bâtiment en cours de construction.

MONTAGE (construction terminée)

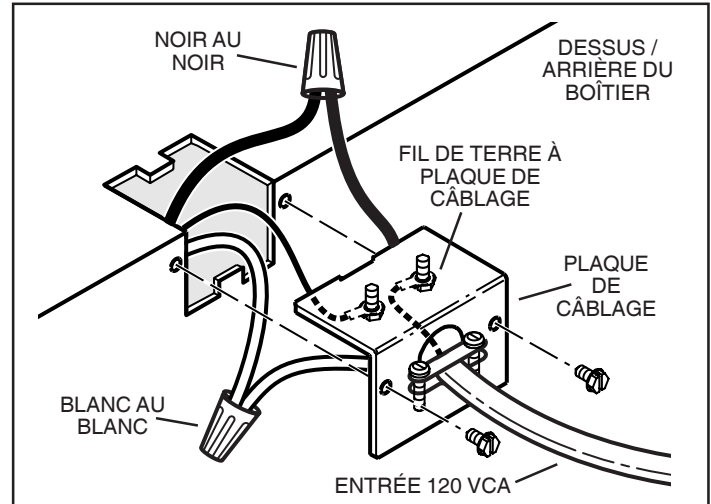


Appareil installé dans un bâtiment déjà construit.

* FF100 et FF150 utilise conduit circulaire de 15,2 cm (6 pouce).
 FF200, FF250 et FF300 utilise conduit circulaire de 20,3 cm (8 pouce).

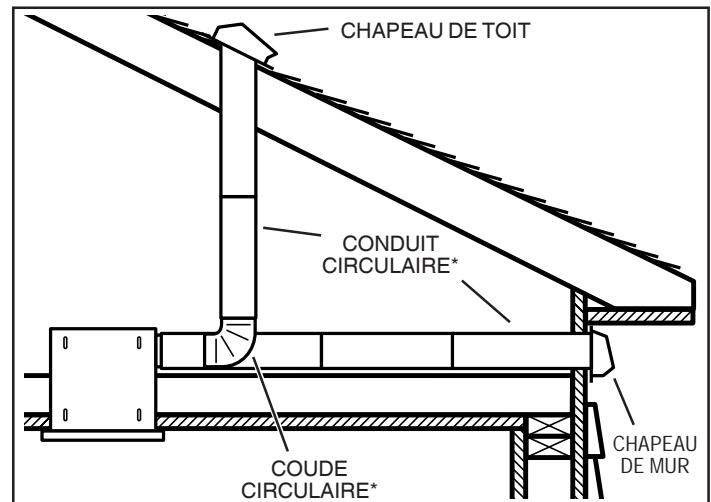
INSTALLATION TYPIQUE

CÂBLAGE



Le ventilateur peut être branché depuis l'extérieur du boîtier. Utiliser des connecteurs homologués UL pour les branchements, conformément aux codes locaux en vigueur.

INSTALLATION DES CONDUITS (décharge de soufflerie horizontale)



Deux manières de raccorder les conduits à un appareil pré-monté.

* FF100 et FF150 utilise conduit circulaire de 15,2 cm (6 pouce).
 FF200, FF250 et FF300 utilise conduit circulaire de 20,3 cm (8 pouce).

IMPORTANT:

Retirez la bande d'expédition de l'amortisseur.

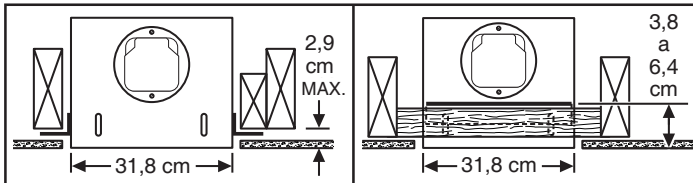
Veiller à retirer le ruban adhésif d'expédition du volet du registre et s'assurer que ce dernier s'ouvre et se ferme librement à l'intérieur du conduit. Utiliser du ruban adhésif pour assurer et étancher les raccords des conduits.

Retirez la boucle d'expédition de la prise de ventilateur.

Retirez la boucle d'expédition de la prise de ventilateur avant d'actionner le ventilateur.

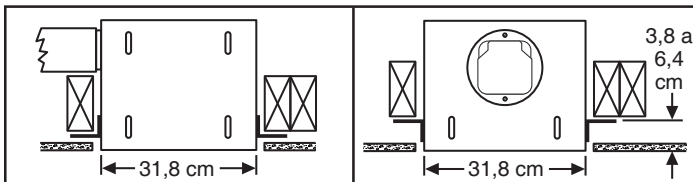
OPTIONS DE MONTAGE

Des écrous à six pans 1/4-20 fixent les supports au boîtier. Desserrer et resserrer ou retirer et replacer les écrous si nécessaire, selon la position désirée pour le support.



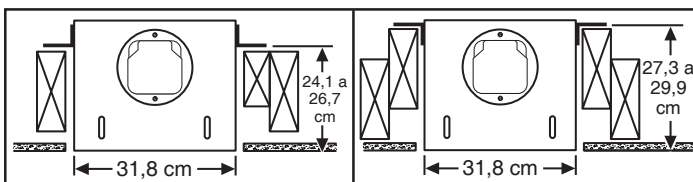
Supports en position préassemblée
 (Sortie parallèle aux solives)
 (Bâtiment en cours de construction)

Supports retournés et fixés de part et d'autre de la sortie du boîtier
 (Sortie perpendiculaire aux solives) (Bâtiment déjà construit)



Supports fixés de part et d'autre de la sortie du boîtier
 (Sortie perpendiculaire aux solives)
 (Bâtiment en cours de construction)

Supports retournés pour donner environ 1 po de dégagement supplémentaire
 (Sortie perpendiculaire aux solives) (Bâtiment en cours de construction)

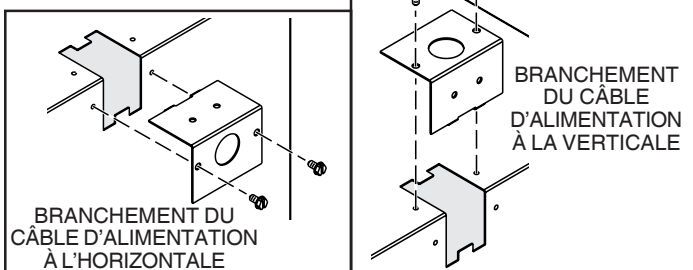


Supports fixés sur le dessus, de part et d'autre du boîtier
 (Sortie parallèle aux solives)
 (Bâtiment en cours de construction ou déjà construit)

Supports retournés et fixés sur le dessus, de part et d'autre du boîtier
 (Sortie parallèle aux solives)
 (Bâtiment en cours de construction ou déjà construit)

OPTIONS DE CÂBLAGE

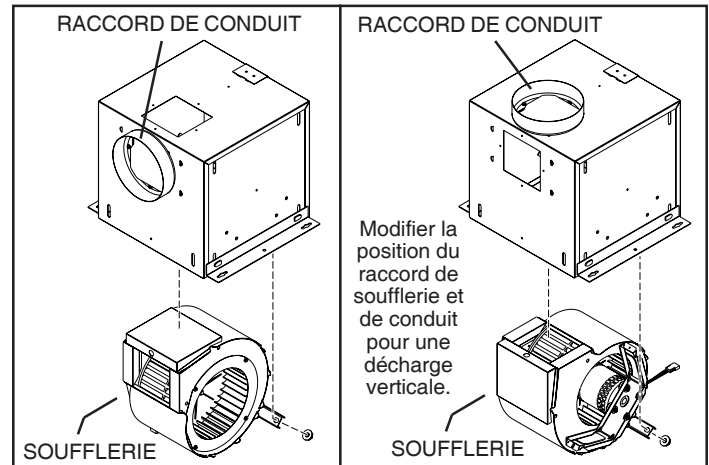
POSITION DE LA PLAQUE DE CÂBLAGE



La plaque de câblage se fixe sur le côté ou sur le dessus du boîtier.

OPTIONS D'INSTALLATION DES CONDUITS

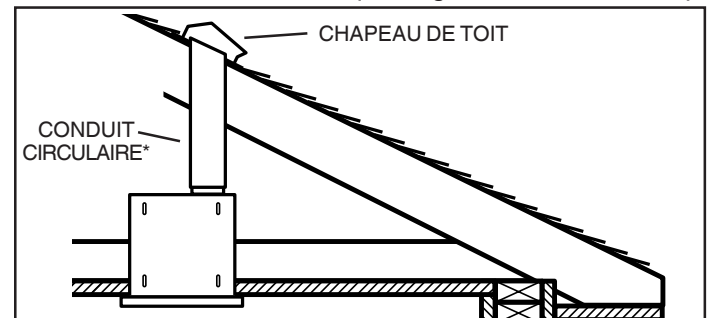
POSITIONS DE LA DÉCHARGE DE LA SOUFFLERIE



Raccord de soufflerie et de conduit en position de décharge horizontale (préassemblée)

Raccord de soufflerie et de conduit en position de décharge verticale

INSTALLATION DES CONDUITS (décharge de soufflerie verticale)



* FF100 et FF150 utilise conduit circulaire de 15,2 cm (6 pouce).
 FF200, FF250 et FF300 utilise conduit circulaire de 20,3 cm (8 pouce).

Raccordement de conduit typique à un ventilateur converti en décharge verticale

UTILISATION ET ENTRETIEN

Le ventilateur a été conçu pour une utilisation continue. Si désiré, il peut être commandé à l'aide d'un interrupteur marche/arrêt ou d'un régulateur de vitesse à semi-conducteurs. Suivre les instructions de câblage fournies avec le régulateur et respecter tous les codes locaux et provinciaux en vigueur, de même que le Code national de l'électricité



AVERTISSEMENT : Pour diminuer les risques de décharge électrique, débrancher la source d'alimentation avant toute opération d'entretien.

Pour nettoyer la grille : Utiliser un accessoire d'aspirateur approprié ou retirer la grille et nettoyer à l'aide d'un chiffon doux et de savon ou de détergent doux. Bien essuyer la grille avant de la réinstaller.

Pour nettoyer la soufflerie : Retirer la grille, débrancher la soufflerie du boîtier, retirer les écrous de fixation de la soufflerie et retirer délicatement la soufflerie du boîtier. Utiliser un accessoire d'aspirateur approprié ou retirer la grille et nettoyer à l'aide d'un chiffon doux et de savon ou de détergent doux pour nettoyer la zone de décharge de la soufflerie et la roue. **NE PAS LAISSER D'EAU S'INFILTRER DANS LE MOTEUR.** S'assurer que la soufflerie est complètement sèche avant de la réinstaller.

Le moteur est lubrifié en permanence. Ne pas lubrifier ou démonter le moteur.

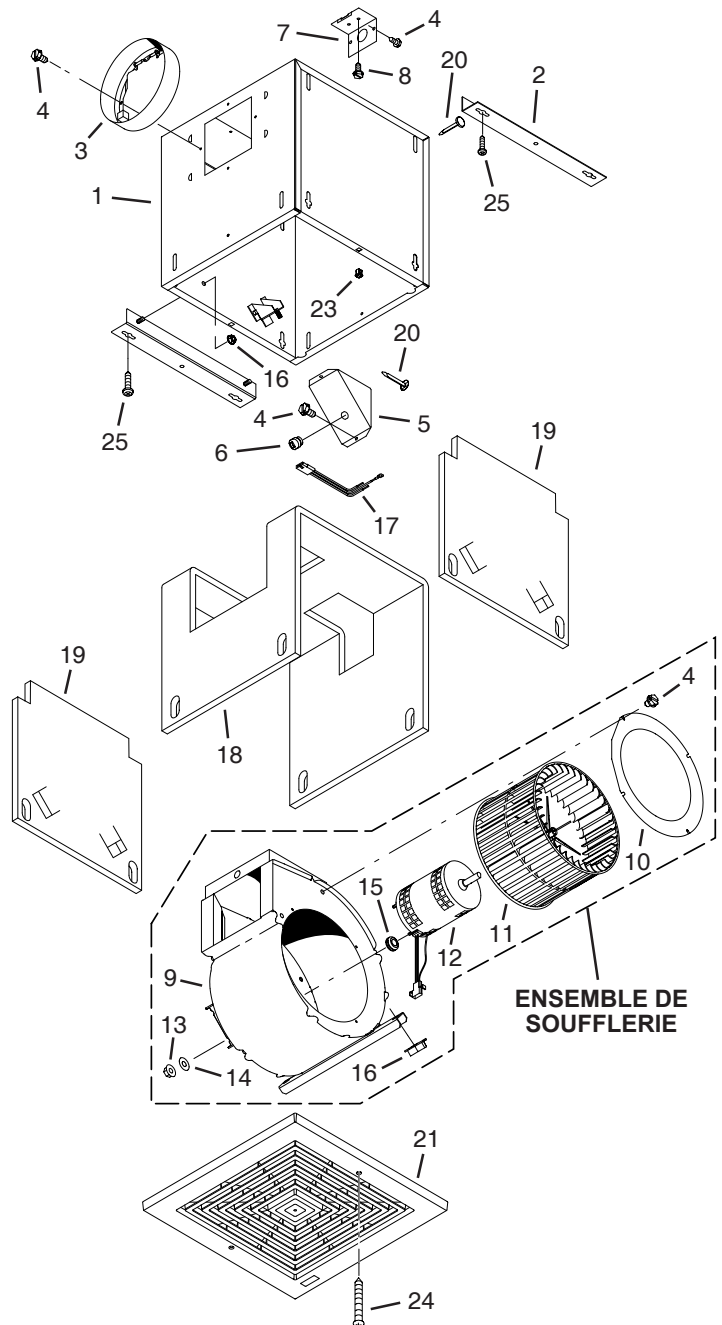
PIÈCES DE RECHANGE

LÉGENDE	N° DE RÉF.	DESCRIPTION
1	97014725	Boîtier (FF100 et FF150)
	97014726	Boîtier (FF200, FF250 et FF300)
2	97014728	Support (2 oblig.)
3	97014760	Registre (diam. 6 po)
	97014761	Registre (diam. 8 po)
4	99150415	Vis, 8-18 x ¼ (12 oblig.)*
5	98005513	Couvercle de la boîte de câblage
6	99400035	Réducteur de tension
7	98005512	Plaque de câblage
8	99150471	Vis de terre, 10-32 x ½ (2 oblig.)
9	97014774	Volute (FF100 et FF150)
	97014775	Volutes (FF200, FF250 et FF300)
10	98009399	Bague d'arrivée
11	99110805	Roue de soufflerie
12	99080481	Moteur (FF100)
	99080482	Moteur (FF150)
	99080483	Moteur (FF200)
	99080484	Moteur (FF250)
	99080485	Moteur (FF300)
13	99260558	Écrou, 8-32 (4 oblig.)*
14	99250959	Rondelle (4 oblig.)*
15	99100491	Bague d'étoupe (4 oblig.)*
		Soufflerie, ensemble (inclut n° légende 4 et 9 à 15)
	97014800	(FF100)
	97014801	(FF150)
	97014802	(FF200)
	97014803	(FF250)
	97014804	(FF300)
16	99260477	Écrou, ¼-20 (6 oblig.)*
17	97006039	Harnais à fils
18	99500390	Enveloppe isolante
19	99500391	Isolant latéral (2 oblig.)
20	99420466	Pince de montage d'isolant
21	99110807	Grille
22	99420470	Écrou de grille (2 oblig.)
23	99150472	Vis de fixation de grille (2 oblig.)
24	99150591	Vis, 10-16 x 7/8 (4 oblig.)*

Commander les pièces de rechange par numéro de référence et non à l'aide du numéro de légende.

* Visserie standard - peut être achetée localement.

PIÈCES DE RECHANGE



GARANTIE

GARANTIE LIMITÉE D'UN AN

Soler & Palau Breidert Air Products JencoFan garantit ses produits contre tout défaut de matériau ou de fabrication pendant une année, à compter de la date d'expédition. S'il s'avère, moins d'un an après que la société ait expédié le produit à l'acheteur initial, que le ventilateur ou les matériaux qui le composent ne respectent pas les garanties stipulées ci-haut, dans la mesure où l'acheteur en a promptement avisé la société, celle-ci s'engage à corriger lesdites déficiences, à sa seule option, en réparant toute pièce défectueuse ou en fournissant à l'usine de la société une pièce réparée ou de rechange.

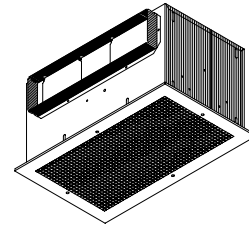
La présente garantie ne s'applique à aucun équipement qui aura été modifié ou réparé de telle sorte, selon l'opinion de la société, à affecter ses performances ou sa fiabilité, ou qui aura été mal installé ou fait l'objet d'une mauvaise utilisation, d'une négligence ou d'un accident. Cette garantie ne couvre ni la main-d'oeuvre nécessaire pour le démontage ou l'installation de pièces, ni les pertes de profit attribuables à une défaillance du ventilateur, des moteurs électriques ou des courroies. Les moteurs électriques sont toutefois couverts par la garantie de leur fabricant.

Les pièces défectueuses doivent être renvoyées à la société avant l'émission d'aucun crédit. Ces pièces doivent être retournées tous frais de port payés. Les expéditions en port dû ou contre remboursement seront refusées.

Cette garantie remplace formellement toute autre garantie expresse ou tacite, ainsi que toute autre obligation ou responsabilité de la part de la société. Celle-ci n'assume aucune autre responsabilité relative à la vente de ses équipements et n'autorise aucun de ses représentants ou quiconque à l'assumer en son nom.

Soler & Palau
 Breidert Air Products
 JencoFan
 6393 Powers Ave
 Jacksonville, FL 32217

CEILING / WALL-MOUNT VENTILATORS • 120V



READ AND SAVE THESE INSTRUCTIONS

WARNING

TO REDUCE THE RISK OF FIRE, ELECTRIC SHOCK, OR INJURY TO PERSONS, OBSERVE THE FOLLOWING:

1. Use this unit only in the manner intended by the manufacturer. If you have questions, contact the manufacturer at the address or telephone number listed in the warranty.
2. Before servicing or cleaning unit, switch power off at service panel and lock the service disconnecting means to prevent power from being switched on accidentally. When the service disconnecting means cannot be locked, securely fasten a prominent warning device, such as a tag, to the service panel.
3. Installation work and electrical wiring must be done by a qualified person(s) in accordance with all applicable codes and standards, including fire-rated construction codes and standards.
4. Sufficient air is needed for proper combustion and exhausting of gases through the flue (chimney) of fuel burning equipment to prevent backdrafting. Follow the heating equipment manufacturer's guideline and safety standards such as those published by the National Fire Protection Association (NFPA), and the American Society for Heating, Refrigeration and Air Conditioning Engineers (ASHRAE), and the local code authorities.
5. When cutting or drilling into wall or ceiling, do not damage electrical wiring and other hidden utilities.
6. Ducted fans must always be vented to the outdoors.
7. To reduce the risk of fire, use only metal ductwork.
8. If this unit is to be installed over a tub or shower, it must be marked as appropriate for the application and be connected to a GFCI (Ground Fault Interrupter) - protected branch circuit.
9. Never place a switch where it can be reached from a tub or shower.
10. This unit must be grounded.

CAUTION

1. For general ventilating use only. Do not use to exhaust hazardous or explosive materials and vapors.
2. To avoid motor bearing damage and noisy and/or unbalanced impellers, keep drywall spray, construction dust, etc. off power unit.
3. Please read specification label on product for further information and requirements.

TABLE OF CONTENTS

This manual is divided into sections as follows:

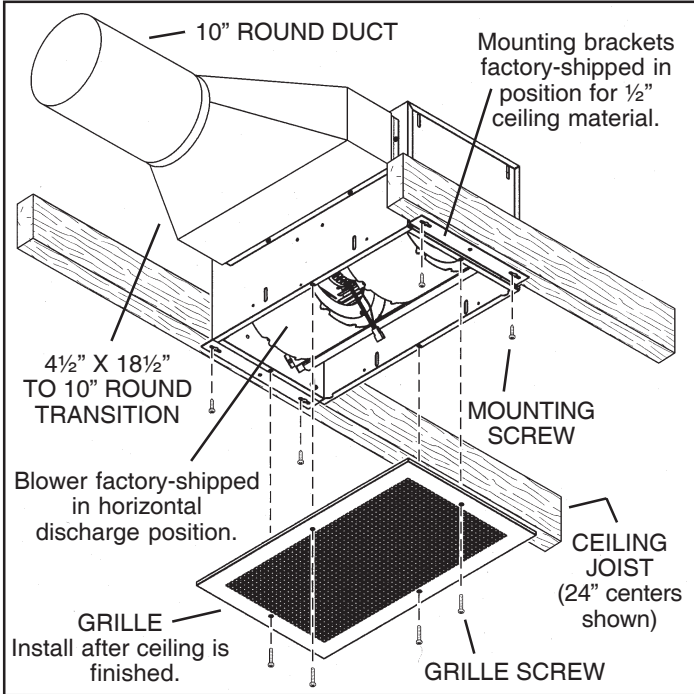
- **“TYPICAL INSTALLATION”**
This section shows a common installation in new and existing, frame construction.
 - Mounting (new construction)
 - Mounting (existing construction)
 - Wiring
 - Ducting (horizontal blower discharge)
- **“MOUNTING OPTIONS”**
- **“WIRING OPTIONS”**
 - Wiring Plate Position
- **“DUCTING OPTIONS”**
 - Blower Discharge Positions
 - Ducting (vertical blower discharge)
- **“USE AND CARE”**
- **“SERVICE PARTS”**
- **“WARRANTY”**

Installer: Leave this manual with the homeowner.

Homeowner: Use and Care information on page 3.

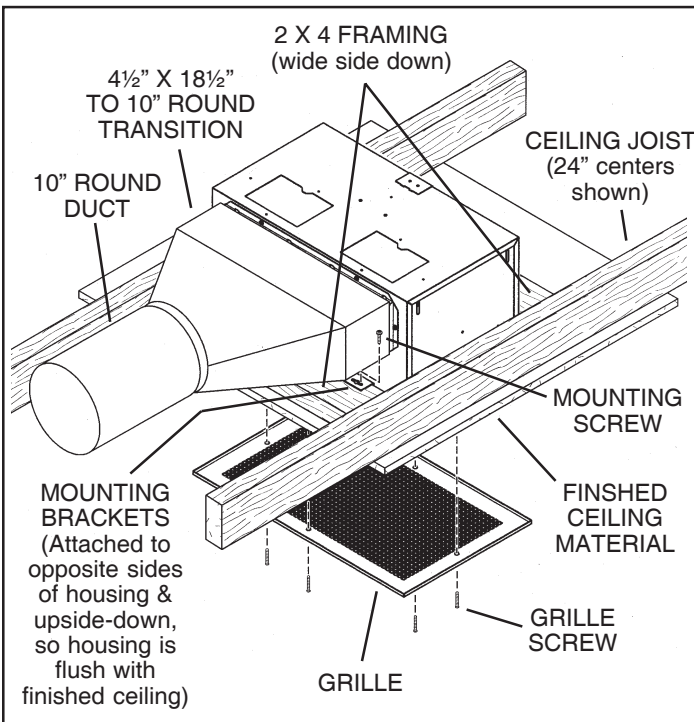
TYPICAL INSTALLATION

MOUNTING (New Frame Construction)



Factory-shipped unit installed in new construction.

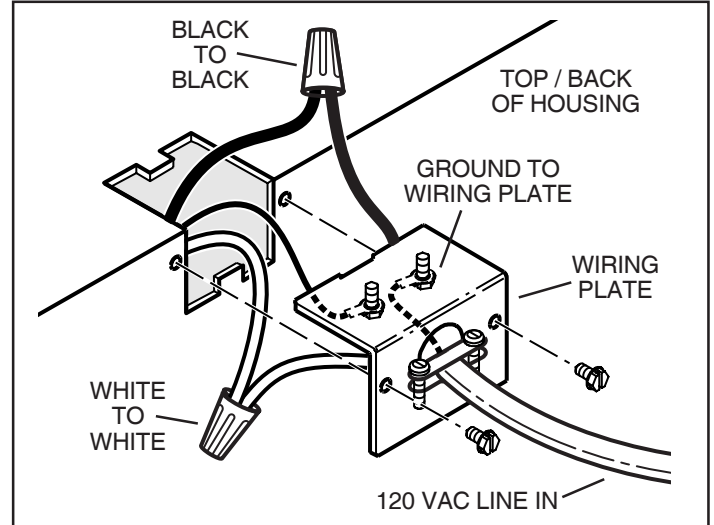
MOUNTING (Existing Frame Construction)



Factory-shipped unit installed in existing construction.

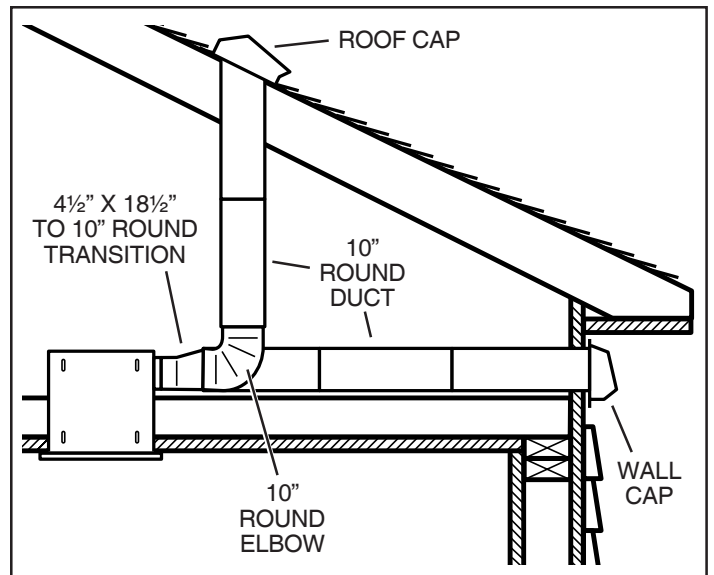
TYPICAL INSTALLATION

WIRING



Ventilator can be wired from outside of housing. Use UL approved connectors to wire per local codes.

DUCTING (Horizontal blower discharge)

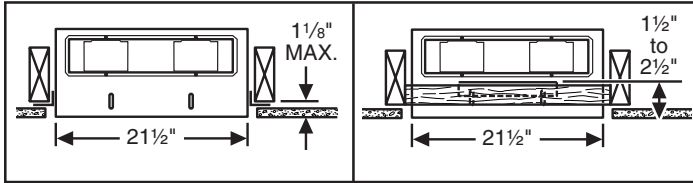


Two ways to connect ductwork to a factory-shipped unit.

NOTE: Make sure the shipping tape is removed from the damper flap and that damper flap opens and closes freely inside the ductwork. Use duct tape to make ductwork connections secure and air-tight.

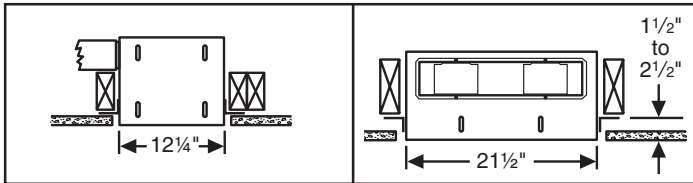
MOUNTING OPTIONS

¼-20 hex nuts secure mounting brackets to housing. Loosen and re-tighten or remove and replace nuts as necessary for desired mounting bracket position.



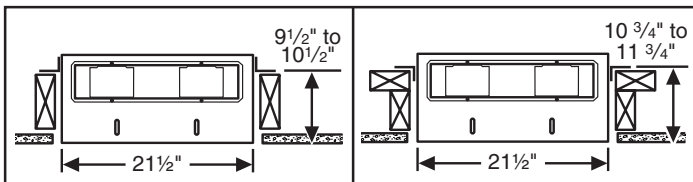
Mounting brackets in factory-shipped position. (Outlet parallel to joists.) (New construction)

Mounting brackets flipped over and mounted to outlet sides of housing. (Outlet parallel to joists.) (Existing construction)



Mounting brackets mounted to outlet sides of housing. (Outlet perpendicular to joists.) (New construction)

Mounting brackets flipped over to give approx. 1" more clearance. (Outlet parallel to joists.) (New construction)

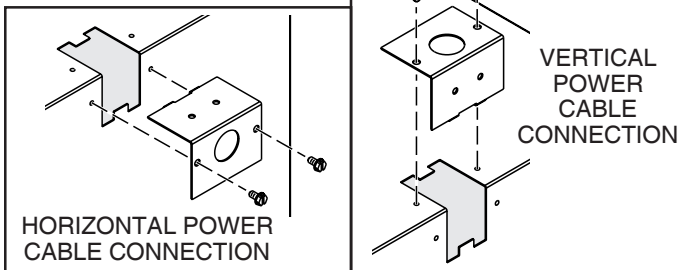


Mounting brackets mounted to top of sides of housing. (Outlet parallel to joists.) (New or existing construction)

Mounting brackets flipped over and mounted to top of sides of housing. (Outlet parallel to joists.) (New or existing construction)

WIRING OPTIONS

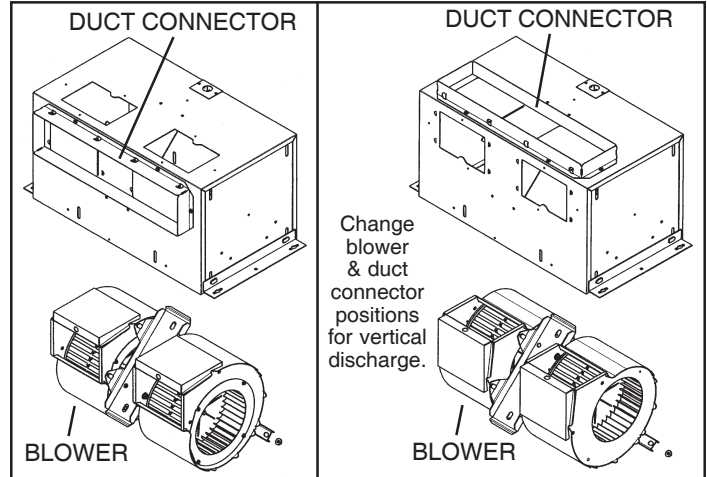
WIRING PLATE POSITION



Wiring plate mounts to side or top of housing.

DUCTING OPTIONS

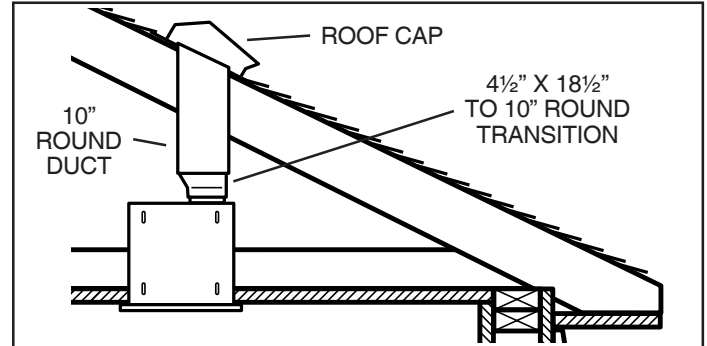
BLOWER DISCHARGE POSITIONS



Blower and duct connector in horizontal discharge position. (Factory shipped)

Blower and duct connector in vertical discharge position.

DUCTING (Vertical blower discharge)



Typical ductwork connection to a ventilator converted to vertical discharge.

USE AND CARE

Ventilator is designed for continuous operation. If desired, it may be controlled using an on/off switch or a solid-state, variable speed control. Follow wiring instructions packed with control, and adhere to all local and state codes, and the National Electrical Code.



WARNING: To reduce the risk of electric shock, disconnect from power supply before servicing.

To clean grille: Use appropriate vacuum attachment or remove grille and clean with a soft cloth and mild soap or detergent. Dry grille thoroughly before reinstalling.

To clean blower assembly: Remove grille, unplug blower from housing, remove blower mounting nuts, and carefully remove blower from housing. Use appropriate vacuum attachment or a soft cloth and mild soap or detergent to clean blower discharge area and wheel. **DO NOT ALLOW WATER TO ENTER MOTOR.** Make sure blower assembly is completely dry before reinstalling.

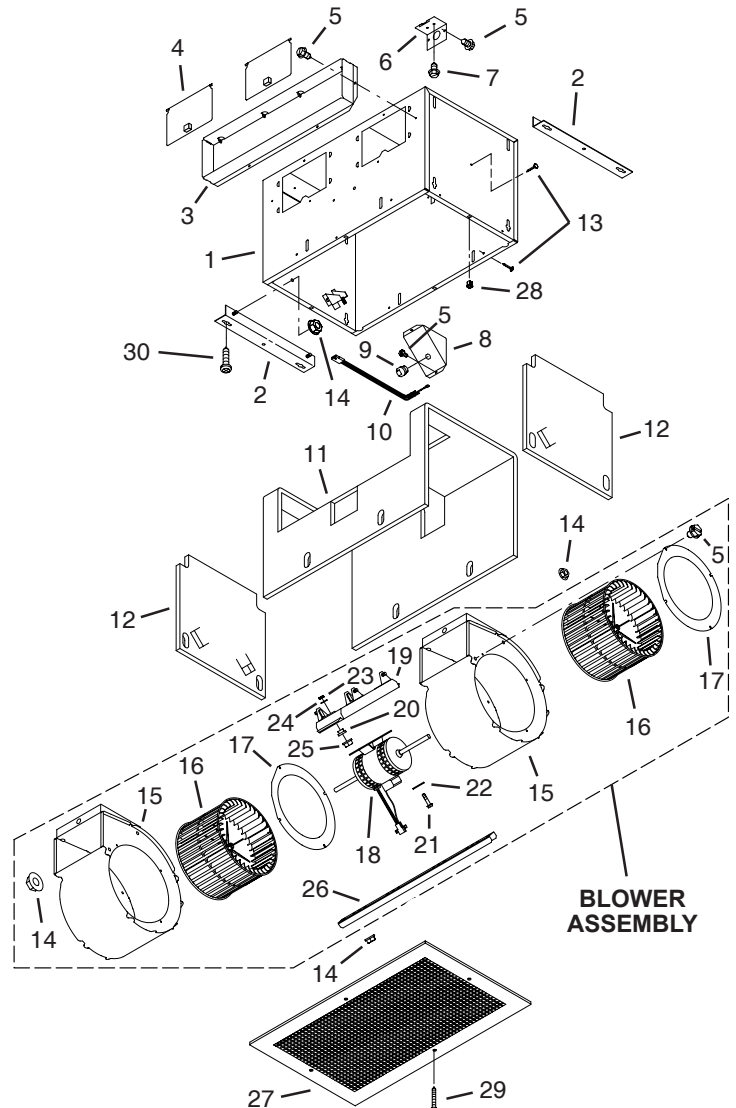
Motor is permanently lubricated. Do not oil or disassemble motor.

SERVICE PARTS

KEY NO.	PART NO.	DESCRIPTION
1	97014744	Housing Assembly
2	97014728	Mounting Bracket (2 req.)
3	98009449	Duct Connector
4	97014822	Damper Flap Assembly (2 req.)
5	99150415	Screw, 8-18 x 1/4 (18 req.)*
6	98005512	Wiring Plate
7	99150471	Ground Screw, 10-32 x 1/2 (2 req.)
8	98005513	Wire Box Cover
9	99400035	Strain Relief Bushing
10	97006039	Wire Harness
11	99500392	Wrapper Insulation
12	99500391	Side Insulation (2 req.)
13	99420466	Insulation Mounting Clip (6 req.)
14	99260477	Nut, 1/4-20 (12 req.)*
15	97014745	Scroll Assembly (2 req.)
16	99110805	Blower Wheel (2 req.)
17	98009399	Inlet Ring (2 req.)
18	99080486	Motor (FF400)
	99080487	Motor (FF500)
	99080488	Motor (FF700)
19	97014794	Motor Mounting Bracket
20	99100497	Rubber Isolator (4 req.)
21	99160380	Screw, 10-24 x 7/8 (4 req.)*
22	99250399	Washer (4 req.)*
23	99260306	Nut, Hex 10-24 (4 req.)*
24	99250254	Washer (4 req.)*
25	93260456	Nut, Hex Flange 3/8-16
26	98009461	Scroll Mounting Channel
---	-----	Blower Assembly, Complete (Includes Key Nos. 5 & 14-26)
	97014817	(FF400)
	97014819	(FF500)
	97014821	(FF700)
27	98009463	Grille
28	99420470	Grille Nut (4 req.)
29	99150472	Grille Mounting Screw (4 req.)
30	99150591	Screw, 10-16 x 7/8 (4 req.)

Order replacement parts by PART NO. - not by KEY NO.
* Standard hardware - may be purchased locally.

SERVICE PARTS



BLOWER ASSEMBLY

WARRANTY

ONE YEAR LIMITED WARRANTY

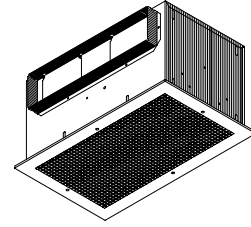
Soler & Palau Breidert Air Products JencoFan, warrants all products to be free from defects in material or workmanship for a period of one year from date of shipment. If it appears within one year from date of shipment by the Company to the original purchaser that any such ventilator or the material used therein does not meet the warranties specified above and the purchaser notifies the Company promptly, the Company agrees to remedy any such defect, at the company's option.

This warranty shall not apply to any equipment which has been repaired or altered in any way so as, in the company's judgement, to affect its performance or reliability, nor which has been improperly installed or subjected to misuse, negligence, or accident. Neither shall this warranty apply to labor to remove or install defective parts, profits lost due to failure of the ventilator or electric motors or belts. Electric motors, however, carry the warranty of the motor manufacturer.

This warranty is expressly in lieu of all other warranties expressed or implied, and of all other obligations or liabilities on the company's part. The company neither assumes, nor authorizes any representative or other persons to assume for it, any other liability in connection with the sale of its equipment.

Soler & Palau
Breidert Air Products
JencoFan
6393 Powers Ave
Jacksonville, FL 32217

VENTILATEURS MONTAGE AU PLAFOND / MUR • 120V



LIRE ET CONSERVER CES INSTRUCTIONS

AVERTISSEMENT

POUR RÉDUIRE LE RISQUE D'INCENDIE, DE CHOC ÉLECTRIQUE OU DE BLESSURES PERSONNELLES, OBSERVEZ CE QUI SUIT:

1. Utilisez cette unité seulement de la façon prévue par le fabricant. Pour d'autres renseignements, contactez le fabricant à l'adresse ou au numéro de téléphone qui se trouve dans la garantie.
2. Avant d'effectuer une réparation ou un entretien sur cet appareil, coupez le courant au tableau d'alimentation et verrouillez celui-ci pour empêcher que la tension soit remise accidentellement. Lorsque le verrouillage de la déconnexion n'est pas possible, mettez bien en vue un signal d'avertissement telle qu'une étiquette, sur le panneau d'alimentation.
3. L'installation et la pose des fils électriques doivent être effectuées par une ou des personnes qualifiées conformément à tous les codes et normes applicables, incluant les normes de construction en rapport aux incendies.
4. Il faut suffisamment d'air pour une combustion appropriée et l'échappement des gaz par le tuyau de la cheminée de l'équipement brûlant du combustible pour prévenir un contre-courant. Suivez les instructions du fabricant de l'équipement de chauffage et les normes de sécurité telles que celles publiées par la National Fire Protection Association (NFPA) et l'American Society for Heating, Refrigeration and Air Conditioning Engineers (ASHRAE) et des autorités du code local.
5. Lors de la coupe ou du perçage dans un mur ou un plafond, prenez soin de ne pas endommager les fils électriques et les autres utilités dissimulées.
6. La décharge des ventilateurs à conduit par l'évent doit toujours se faire à l'extérieur.
7. Pour réduire le risque d'incendie, utilisez seulement des conduits de ventilation en métal.
8. Si cette unité doit être installée au-dessus d'une baignoire ou d'une douche, elle doit être marquée comme étant appropriée pour l'application et être connectée à un circuit dérivé protégé GFCI (interrupteur de circuit en cas de défaut de mise à la terre du neutre).
9. Ne placez jamais un interrupteur dans un endroit où il peut être rejoint d'une baignoire ou d'une douche.
10. Cette unité doit être mise à la terre.

ATTENTION

1. Pour ventilation générale seulement. Ne l'utilisez pas pour évacuer les vapeurs ou matériaux dangereux ou que peuvent exploser.
2. Pour éviter d'endommager les coussinets du moteur et des turbines bruyantes et/ou mal équilibrées, assurez que l'unité motrice est exempte de poussière provenant des murs en pierres sèches et la construction.
3. Veuillez lire l'étiquette de spécifications sur le produit pour d'autres renseignements et exigences.

TABLE DES MATIÈRES

Ce manuel se divise comme suit :

• INSTALLATION TYPIQUE

Cette section montre une installation standard dans un bâtiment en cours de construction ou déjà construit.

- Montage (construction en cours)
- Montage (construction terminée)
- Câblage
- Installation des conduits (décharge de soufflerie horizontale)

• OPTIONS DE MONTAGE

• OPTIONS DE CÂBLAGE

- Position de la plaque de câblage

• OPTIONS D'INSTALLATION DES CONDUITS

- Positions de la décharge de la soufflerie
- Installation des conduits (décharge de soufflerie verticale)

• UTILISATION ET ENTRETIEN

• PIÈCES DE RECHANGE

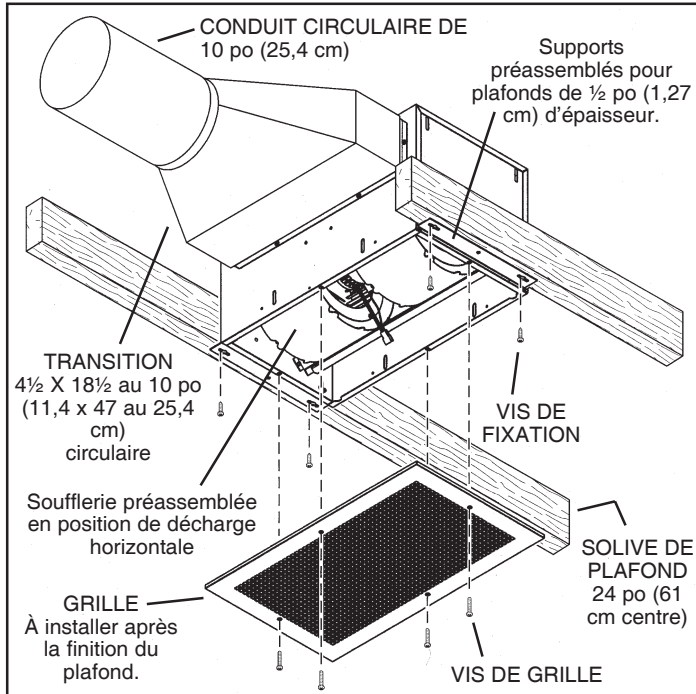
• GARANTIE

Installateur: Remettez ce manuel au propriétaire de maison.

Propriétaire de maison: Mode d'utilisation et soin à la page 7.

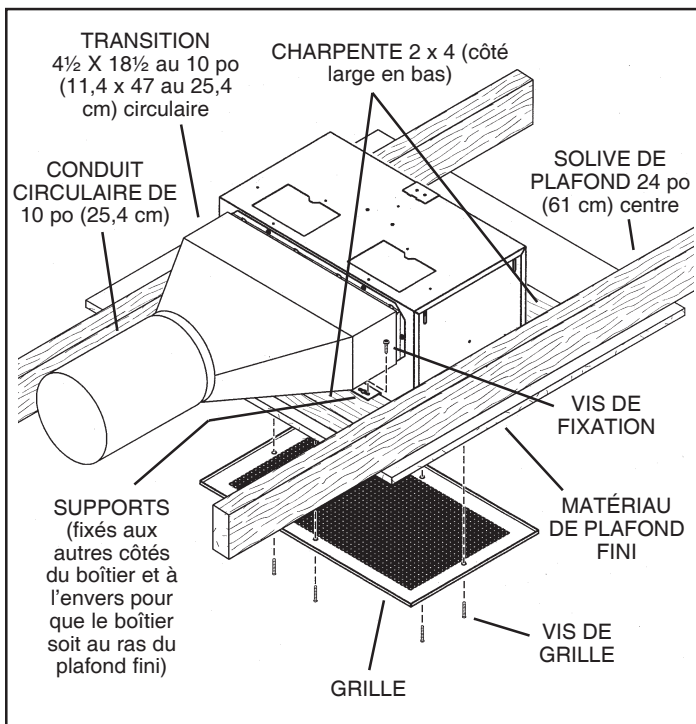
INSTALLATION TYPIQUE

MONTAGE (Construction en cours)



Appareil installé dans un bâtiment en cours de construction.

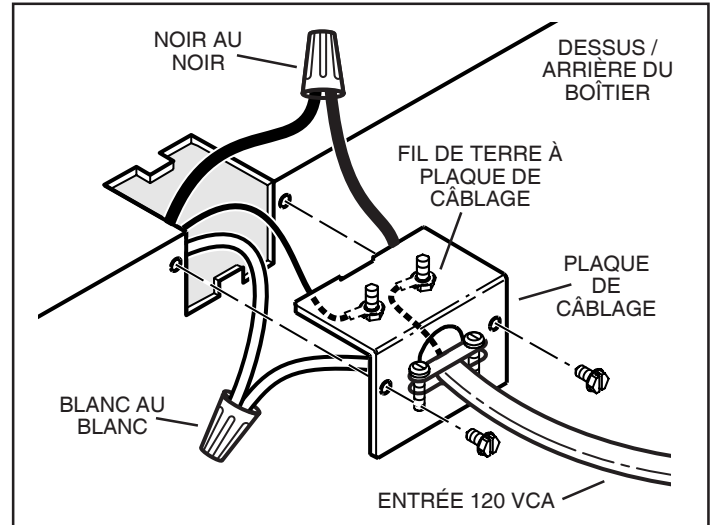
MONTAGE (construction terminée)



Appareil installé dans un bâtiment déjà construit.

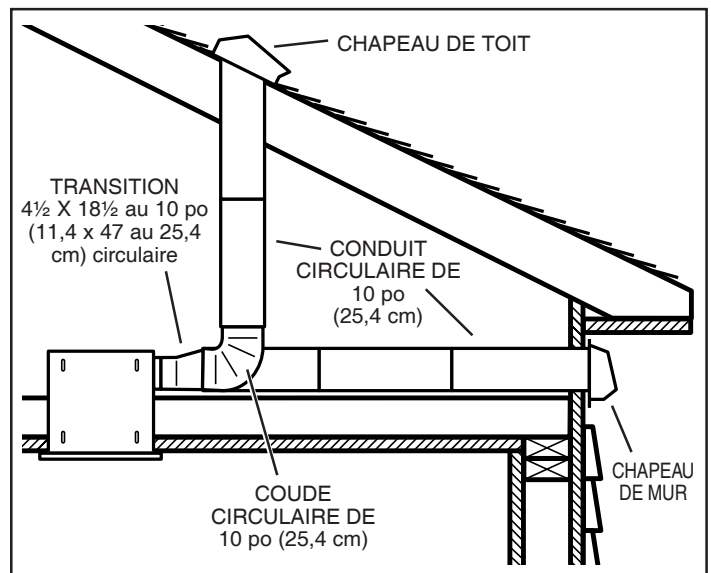
INSTALLATION TYPIQUE

CÂBLAGE



Le ventilateur peut être branché depuis l'extérieur du boîtier. Utiliser des connecteurs homologués UL pour les branchements, conformément aux codes locaux en vigueur.

INSTALLATION DES CONDUITS (décharge de soufflerie horizontale)

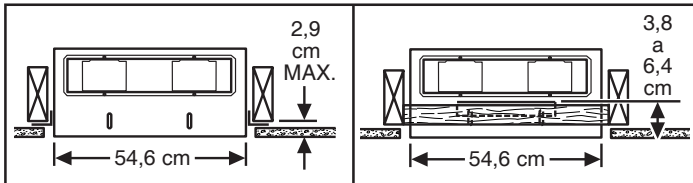


Deux manières de raccorder les conduits à un appareil prémonté.

REMARQUE : Veiller à retirer le ruban adhésif d'expédition du volet du registre et s'assurer que ce dernier s'ouvre et se ferme librement à l'intérieur du conduit. Utiliser du ruban adhésif pour assurer et étancher les raccords des conduits.

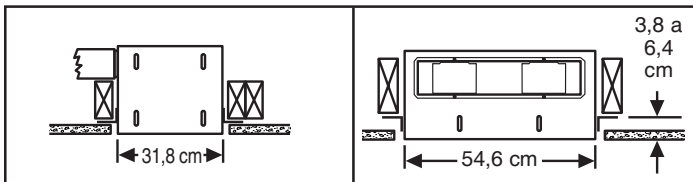
OPTIONS DE MONTAGE

Des écrous à six pans ¼-20 fixent les supports au boîtier. Desserrer et resserrer ou retirer et replacer les écrous si nécessaire, selon la position désirée pour le support.



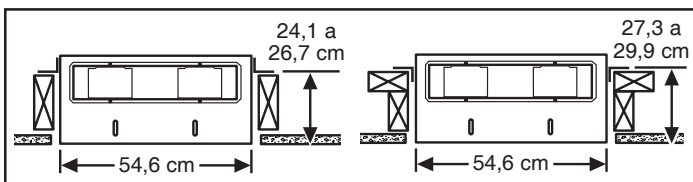
Supports en position préassemblée
 (Sortie parallèle aux solives)
 (Bâtiment en cours de construction)

Supports retournés et fixés de part et d'autre de la sortie du boîtier
 (Sortie perpendiculaire aux solives)
 (Bâtiment déjà construit)



Supports fixés de part et d'autre de la sortie du boîtier
 (Sortie perpendiculaire aux solives)
 (Bâtiment en cours de construction)

Supports retournés pour donner environ 1 po de dégagement supplémentaire
 (Sortie perpendiculaire aux solives)
 (Bâtiment en cours de construction)

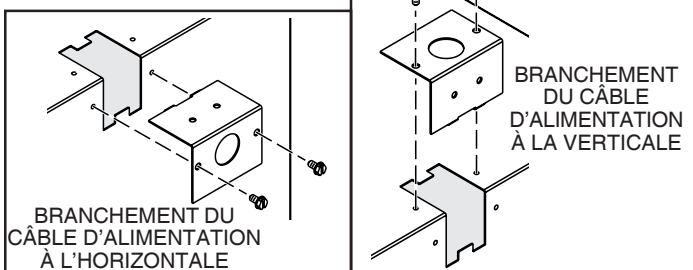


Supports fixés sur le dessus, de part et d'autre du boîtier
 (Sortie parallèle aux solives)
 (Bâtiment en cours de construction ou déjà construit)

Supports retournés et fixés sur le dessus, de part et d'autre du boîtier
 (Sortie parallèle aux solives)
 (Bâtiment en cours de construction ou déjà construit)

OPTIONS DE CÂBLAGE

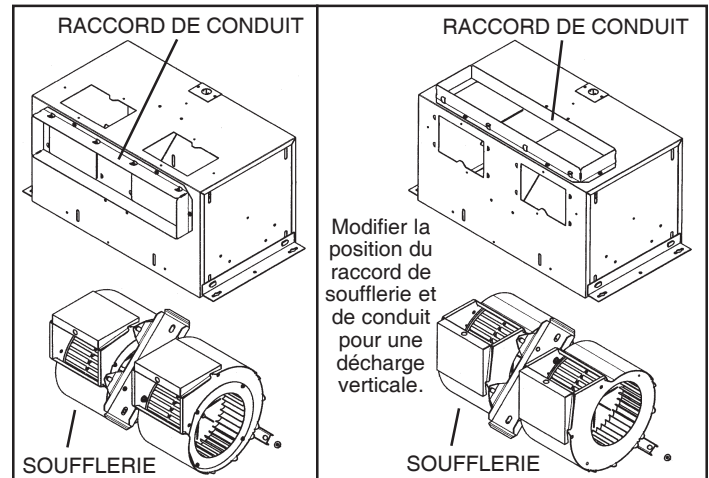
POSITION DE LA PLAQUE DE CÂBLAGE



La plaque de câblage se fixe sur le côté ou sur le dessus du boîtier.

OPTIONS D'INSTALLATION DES CONDUITS

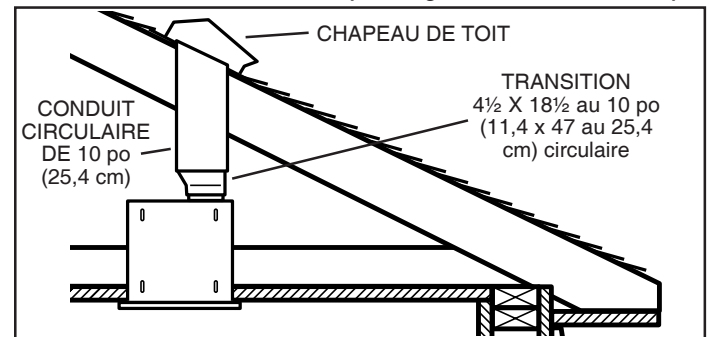
POSITIONS DE LA DÉCHARGE DE LA SOUFFLERIE



Raccord de soufflerie et de conduit en position de décharge horizontale (préassemblée)

Raccord de soufflerie et de conduit en position de décharge verticale

INSTALLATION DES CONDUITS (décharge de soufflerie verticale)



Raccordement de conduit typique à un ventilateur converti en décharge verticale

UTILISATION ET ENTRETIEN

Le ventilateur a été conçu pour une utilisation continue. Si désiré, il peut être commandé à l'aide d'un interrupteur marche/arrêt ou d'un régulateur de vitesse à semi-conducteurs. Suivre les instructions de câblage fournies avec le régulateur et respecter tous les codes locaux et provinciaux en vigueur, de même que le Code national de l'électricité



AVERTISSEMENT : Pour diminuer les risques de décharge électrique, débrancher la source d'alimentation avant toute opération d'entretien.

Pour nettoyer la grille : Utiliser un accessoire d'aspirateur approprié ou retirer la grille et nettoyer à l'aide d'un chiffon doux et de savon ou de détergent doux. Bien essuyer la grille avant de la réinstaller.

Pour nettoyer la soufflerie : Retirer la grille, débrancher la soufflerie du boîtier, retirer les écrous de fixation de la soufflerie et retirer délicatement la soufflerie du boîtier. Utiliser un accessoire d'aspirateur approprié ou retirer la grille et nettoyer à l'aide d'un chiffon doux et de savon ou de détergent doux pour nettoyer la zone de décharge de la soufflerie et la roue. **NE PAS LAISSER D'EAU S'INFILTRER DANS LE MOTEUR.** S'assurer que la soufflerie est complètement sèche avant de la réinstaller.

Le moteur est lubrifié en permanence. Ne pas lubrifier ou démonter le moteur.

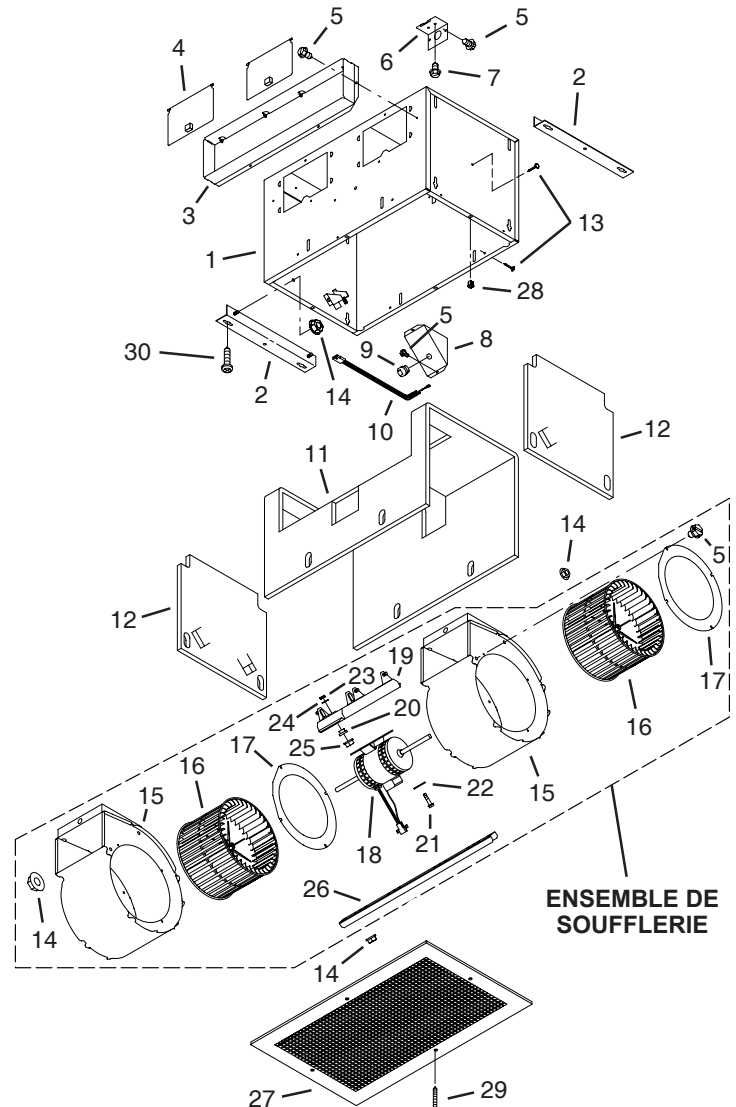
PIÈCES DE RECHANGE

PIÈCES DE RECHANGE *Page 8*

LÉGENDE	N° DE RÉF.	DESCRIPTION
1	97014744	Boîtier
2	97014728	Support (2 oblig.)
3	98009449	Registre
4	97014822	Ensemble de clapet de registre (2 oblig.)
5	99150415	Vis, 8-18 x ¼ (18 oblig.)*
6	98005512	Plaque de câblage
7	99150471	Vis de terre, 10-32 x ½ (2 oblig.)
8	98005513	Couvercle de la boîte de câblage
9	99400035	Réducteur de tension
10	97006039	Harnais à fils
11	99500392	Enveloppe isolante
12	99500391	Isolant latéral (2 oblig.)
13	99420466	Pince de montage d'isolant (6 oblig.)
14	99260477	Écrou, ¼-20 (12 oblig.)*
15	97014745	Volute (2 oblig.)
16	99110805	Roue de soufflerie (2 oblig.)
17	98009399	Bague d'arrivée (2 oblig.)
18	99080486	Moteur (FF400)
	99080487	Moteur (FF500)
	99080488	Moteur (FF700)
19	97014794	Support de montage de moteur
20	99100497	Isolant de caoutchouc (4 oblig.)
21	99160380	Vis, 10-24 x 7/8 (4 oblig.)*
22	99250399	Rondelle (4 oblig.)*
23	99260306	Écrou, Hex 10-24 (4 oblig.)*
24	99250254	Rondelle (4 oblig.)*
25	93260456	Écrou, Hex Flange 3/8-16
26	98009461	Barre de montage de volute
---	-----	Soufflerie, ensemble(inclut n° légende 5 et 14 à 26)
	97014817	(FF400)
	97014819	(FF500)
	97014821	(FF700)
27	98009463	Grille
28	99420470	Écrou de grille (4 oblig.)
29	99150472	Vis de fixation de grille (4 oblig.)
30	99150591	Vis, 10-16 x 7/8 (4 oblig.)

Commander les pièces de rechange par numéro de référence et non à l'aide du numéro de légende.

* Visserie standard - peut être achetée localement.



GARANTIE

GARANTIE LIMITÉE D'UN AN

Soler & Palau Breidert Air Products JencoFan garantit ses produits contre tout défaut de matériau ou de fabrication pendant une année, à compter de la date d'expédition. S'il s'avère, moins d'un an après que la société ait expédié le produit à l'acheteur initial, que le ventilateur ou les matériaux qui le composent ne respectent pas les garanties stipulées ci-haut, dans la mesure où l'acheteur en a promptement avisé la société, celle-ci s'engage à corriger lesdites déficiences, à sa seule option, en réparant toute pièce défectueuse ou en fournissant à l'usine de la société une pièce réparée ou de rechange.

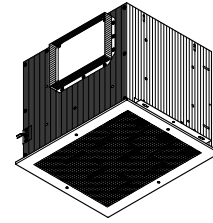
La présente garantie ne s'applique à aucun équipement qui aura été modifié ou réparé de telle sorte, selon l'opinion de la société, à affecter ses performances ou sa fiabilité, ou qui aura été mal installé ou fait l'objet d'une mauvaise utilisation, d'une négligence ou d'un accident. Cette garantie ne couvre ni la main-d'oeuvre nécessaire pour le démontage ou l'installation de pièces, ni les pertes de profit attribuables à une défaillance du ventilateur, des moteurs électriques ou des courroies. Les moteurs électriques sont toutefois couverts par la garantie de leur fabricant.

Les pièces défectueuses doivent être renvoyées à la société avant l'émission d'aucun crédit. Ces pièces doivent être retournées tous frais de port payés. Les expéditions en port dû ou contre remboursement seront refusées.

Cette garantie remplace formellement toute autre garantie expresse ou tacite, ainsi que toute autre obligation ou responsabilité de la part de la société. Celle-ci n'assume aucune autre responsabilité relative à la vente de ses équipements et n'autorise aucun de ses représentants ou quiconque à l'assumer en son nom.

Soler & Palau
 Breidert Air Products
 JencoFan
 6393 Powers Ave
 Jacksonville, FL 32217

CEILING / WALL-MOUNT VENTILATORS • 120V



READ AND SAVE THESE INSTRUCTIONS

WARNING

TO REDUCE THE RISK OF FIRE, ELECTRIC SHOCK, OR INJURY TO PERSONS, OBSERVE THE FOLLOWING:

1. Use this unit only in the manner intended by the manufacturer. If you have questions, contact the manufacturer at the address or telephone number listed in the warranty.
2. Before servicing or cleaning unit, switch power off at service panel and lock the service disconnecting means to prevent power from being switched on accidentally. When the service disconnecting means cannot be locked, securely fasten a prominent warning device, such as a tag, to the service panel.
3. Installation work and electrical wiring must be done by a qualified person(s) in accordance with all applicable codes and standards, including fire-rated construction codes and standards.
4. Sufficient air is needed for proper combustion and exhausting of gases through the flue (chimney) of fuel burning equipment to prevent backdrafting. Follow the heating equipment manufacturer's guideline and safety standards such as those published by the National Fire Protection Association (NFPA), and the American Society for Heating, Refrigeration and Air Conditioning Engineers (ASHRAE), and the local code authorities.
5. When cutting or drilling into wall or ceiling, do not damage electrical wiring and other hidden utilities.
6. Ducted fans must always be vented to the outdoors.
7. To reduce the risk of fire, use only metal ductwork.
8. If this unit is to be installed over a tub or shower, it must be marked as appropriate for the application and be connected to a GFCI (Ground Fault Interrupter) - protected branch circuit.
9. Never place a switch where it can be reached from a tub or shower.
10. This unit must be grounded.

CAUTION

1. For general ventilating use only. Do not use to exhaust hazardous or explosive materials and vapors.
2. To avoid motor bearing damage and noisy and/or unbalanced impellers, keep drywall spray, construction dust, etc. off power unit.
3. Please read specification label on product for further information and requirements.

Installer: Leave this manual with the homeowner.

Homeowner: Use and Care information on page 3.

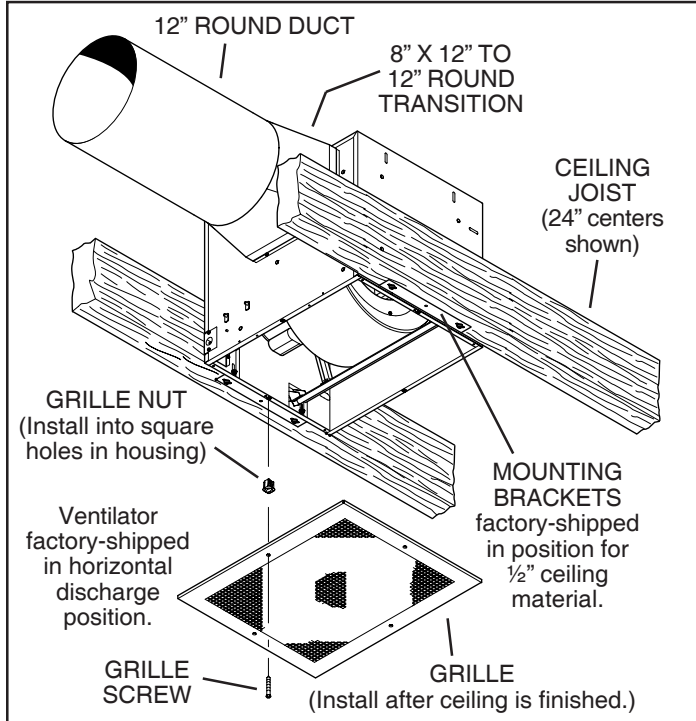
TABLE OF CONTENTS

This manual is divided into sections as follows:

- **“TYPICAL INSTALLATION”**
This section shows a common installation in new and existing, frame construction.
 - Mounting (new construction)
 - Mounting (existing construction)
 - Wiring
 - Ducting (horizontal blower discharge)
- **“MOUNTING OPTIONS”**
- **“WIRING OPTIONS”**
 - Wiring Plate Position
- **“DUCTING OPTIONS”**
 - Blower Discharge Positions
 - Ducting (vertical blower discharge)
- **“USE AND CARE”**
- **“SERVICE PARTS”**
- **“WARRANTY”**

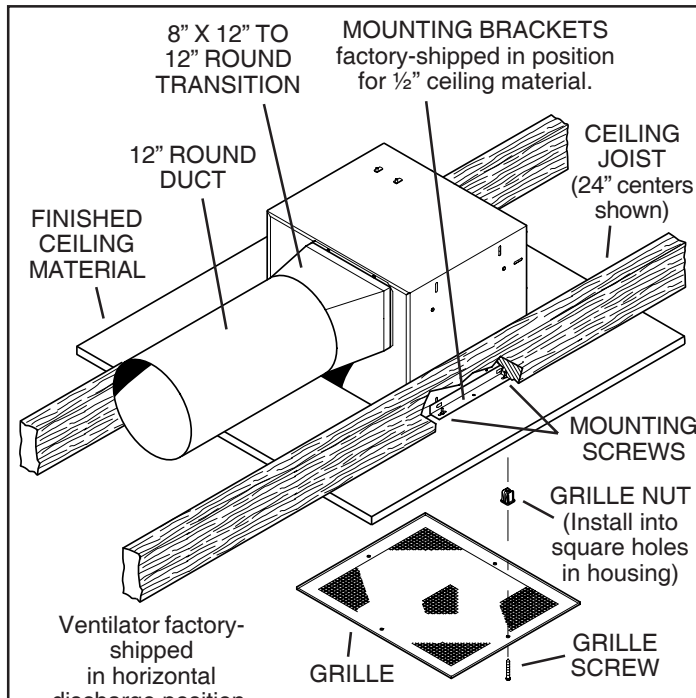
TYPICAL INSTALLATION

MOUNTING (New Frame Construction)



Factory-shipped unit installed in new construction.

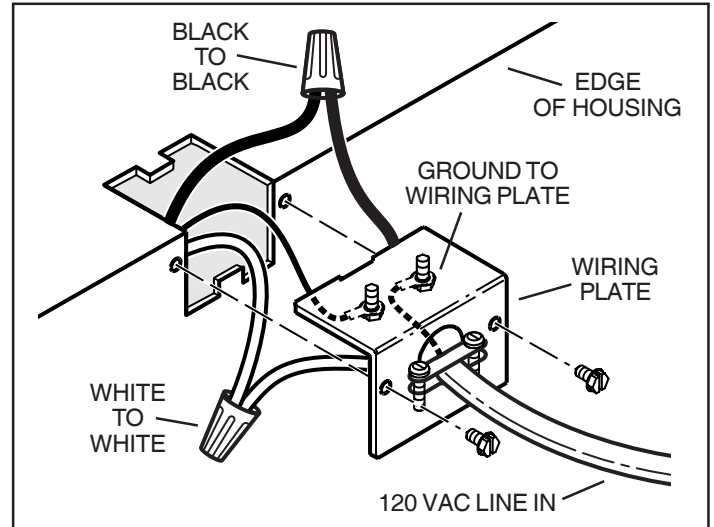
MOUNTING (Existing Frame Construction)



Factory-shipped unit installed in existing construction.

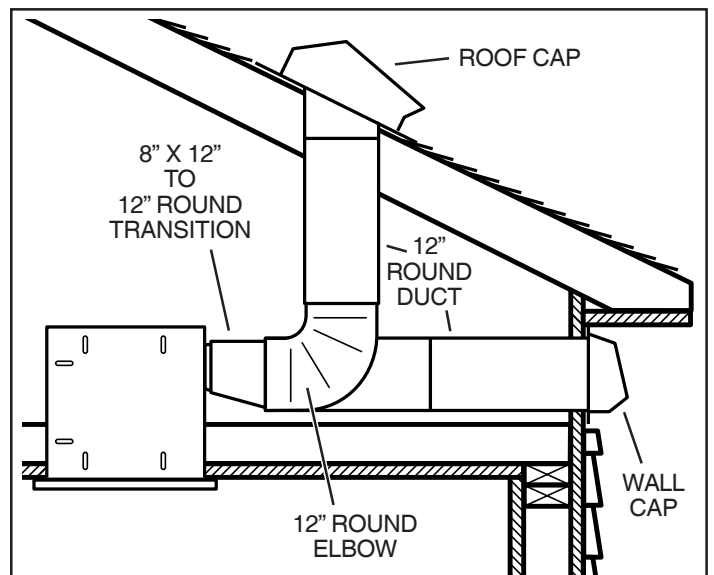
TYPICAL INSTALLATION

WIRING



Ventilator can be wired from outside of housing. Use UL approved connectors to wire per local codes.

DUCTING (Horizontal blower discharge)



Two ways to connect ductwork to a factory-shipped unit.

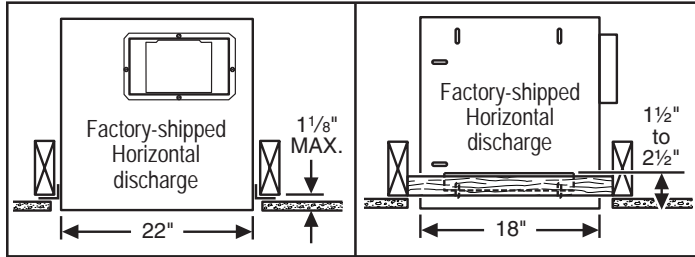
IMPORTANT:

Remove shipping tape from damper

Remove the shipping tape from the damper flap and make sure that damper flap opens and closes freely inside the ductwork. Use duct tape to make ductwork connections secure and air-tight.

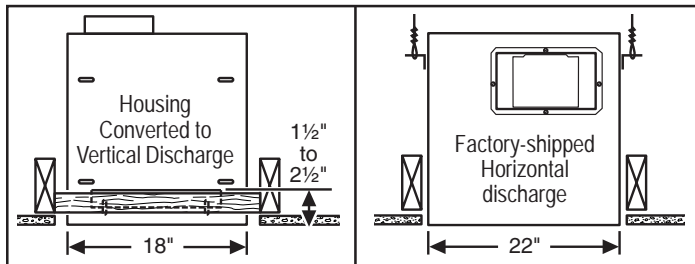
MOUNTING OPTIONS

¼-20 hex nuts secure mounting brackets to housing. Loosen and re-tighten or remove and replace nuts as necessary for desired mounting bracket position.



Mounting brackets in factory-shipped position - mounted directly to joists. (Outlet parallel to joists.) (New construction)

Mounting brackets flipped over and mounted to additional framing. (Outlet perpendicular to joists.) (New or Existing construction)

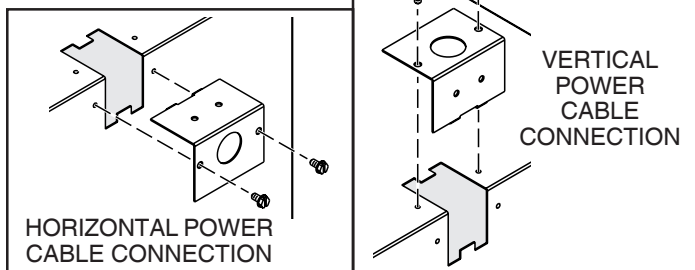


Mounting brackets flipped over and mounted to additional framing. (Outlet vertical.) (New or Existing construction)

Mounting brackets flipped over and mounted to top of housing. Housing secured with cables. (Outlet parallel to joists.) (New or Existing construction)

WIRING OPTIONS

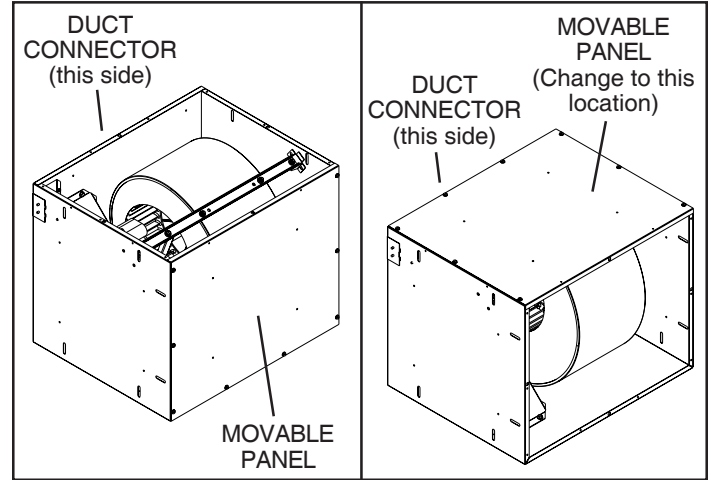
WIRING PLATE POSITION



Wiring plate mounts to side or top of housing.

DUCTING OPTIONS

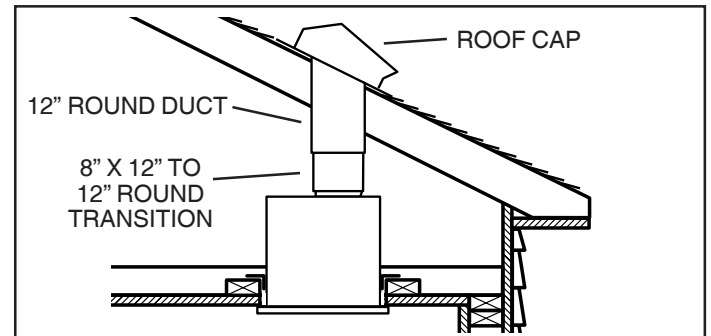
BLOWER DISCHARGE POSITIONS



Ventilator shown in horizontal discharge position. (Factory shipped)

Ventilator shown in vertical discharge position. (Change movable panel to new location as shown.)

DUCTING (Vertical blower discharge)



Typical ductwork connection to a ventilator converted to vertical discharge.

USE AND CARE

Ventilator is designed for continuous operation. If desired, it may be controlled using an on/off switch or a solid-state, variable speed control. Follow wiring instructions packed with control, and adhere to all local and state codes, and the National Electrical Code.



WARNING: To reduce the risk of electric shock, disconnect from power supply before servicing.

To clean grille: Use appropriate vacuum attachment or remove grille and clean with a soft cloth and mild soap or detergent. Dry grille thoroughly before reinstalling.

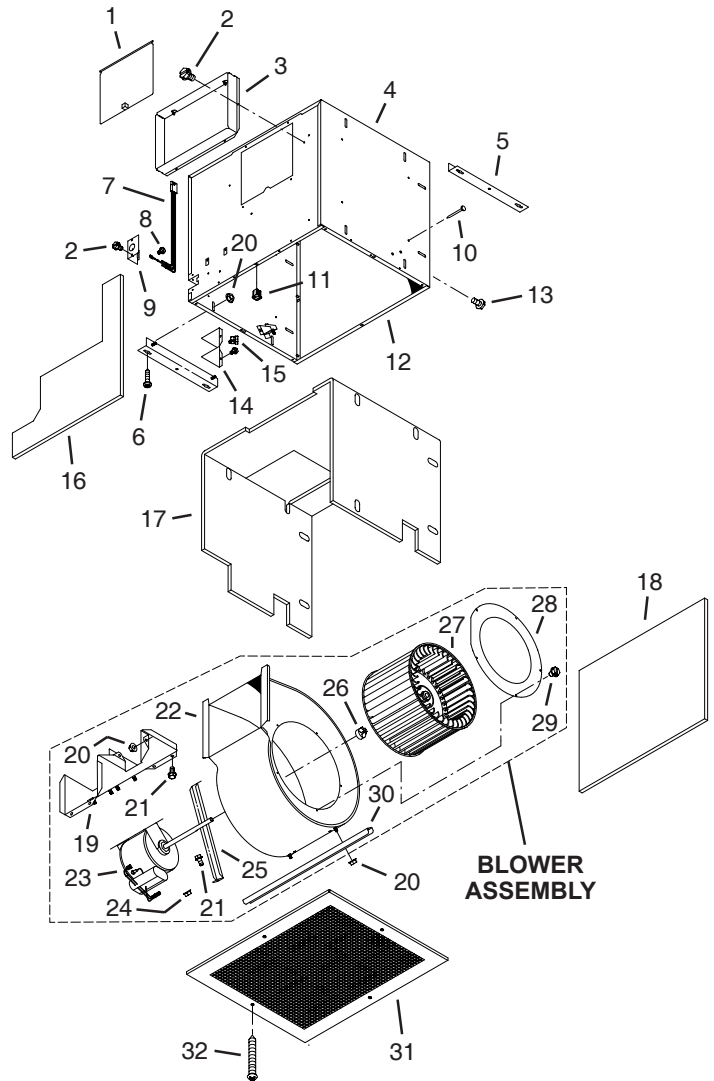
To clean blower assembly: Remove grille, unplug blower from housing, remove blower mounting nuts, and carefully remove blower from housing. Use appropriate vacuum attachment or a soft cloth and mild soap or detergent to clean blower discharge area and wheel. **DO NOT ALLOW WATER TO ENTER MOTOR.** Make sure blower assembly is completely dry before reinstalling.

Motor is permanently lubricated. Do not oil or disassemble motor.

SERVICE PARTS

KEY NO.	PART NO.	DESCRIPTION
1	97014853	Damper Flap
2	99150415	Screw, #8B x 1/4* (10 req.)
3	98009520	Duct Connector
4	97014784	Housing Assembly
5	97014728	Mounting Bracket (2 req.)
6	99150591	Mounting Screw, #10-12 x .625 (4 req.)
7	97006142	Wiring Harness
8	99150471	Ground Screw, #10-32 x 1/2* (2 req.)
9	98005512	Wiring Adapter Plate
10	99420466	Insulation Mounting Clip (16 req.)
11	99420470	Grille Nut (4 req.)
12	98009518	Movable Housing Panel
13	93150487	Screw, #10-24 x .375* (8 req.)
14	98005513	Outlet Box Cover
15	99400035	Strain Relief Bushing
16	99500394	Insulation, Front
17	99500393	Insulation, Base
18	99500395	Insulation, Back
19	97014788	Motor Bracket
20	99260477	Whiz Nut, 1/4-20* (11 req.)
21	99200202	Screw, 1/4-20 x 1/2* (5 req.)
22	97014785	Blower Scroll
23	99080490	Motor (FF900)
	99080491	Motor (FF1500)
24	93260447	Nut, Hex Flange 5/16-18* (5 req.)
25	98009516	Support Bracket
26	99680019	Wheel Clamp
27	99020274	Blower Wheel (includes Key No. 26)
28	98009514	Inlet Ring
29	99150417	Screw, #8-18 x 1/4* (5 req.)
30	98009513	Scroll Support Channel
+	97014848	Blower Assembly Complete (FF900) (Includes Key Nos. 19 thru 30)
+	97014849	Blower Assembly Complete (FF1500) (Includes Key Nos. 19 thru 30)
31	98009522	Grille
32	99150472	Grille Screw (4 req.)

SERVICE PARTS



Order replacement parts by PART NO. - not by KEY NO.
 * Standard hardware - may be purchased locally.
 + Not shown assembled.

WARRANTY

ONE YEAR LIMITED WARRANTY

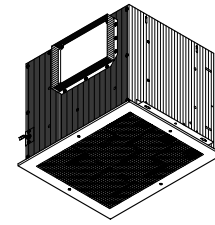
Soler & Palau Breidert Air Products JencoFan, warrants all products to be free from defects in material or workmanship for a period of one year from date of shipment. If it appears within one year from date of shipment by the Company to the original purchaser that any such ventilator or the material used therein does not meet the warranties specified above and the purchaser notifies the Company promptly, the Company agrees to remedy any such defect, at the company's option.

This warranty shall not apply to any equipment which has been repaired or altered in any way so as, in the company's judgement, to affect its performance or reliability, nor which has been improperly installed or subjected to misuse, negligence, or accident. Neither shall this warranty apply to labor to remove or install defective parts, profits lost due to failure of the ventilator or electric motors or belts. Electric motors, however, carry the warranty of the motor manufacturer.

This warranty is expressly in lieu of all other warranties expressed or implied, and of all other obligations or liabilities on the company's part. The company neither assumes, nor authorizes any representative or other persons to assume for it, any other liability in connection with the sale of its equipment.

Soler & Palau
 Breidert Air Products
 JencoFan
 6393 Powers Ave
 Jacksonville, FL 32217

VENTILATEURS MONTAGE AU PLAFOND / MUR • 120V



LIRE ET CONSERVER CES INSTRUCTIONS

AVERTISSEMENT

POUR RÉDUIRE LE RISQUE D'INCENDIE, DE CHOC ÉLECTRIQUE OU DE BLESSURES PERSONNELLES, OBSERVEZ CE QUI SUIT:

1. Utilisez cette unité seulement de la façon prévue par le fabricant. Pour d'autres renseignements, contactez le fabricant à l'adresse ou au numéro de téléphone qui se trouve dans la garantie.
2. Avant d'effectuer une réparation ou un entretien sur cet appareil, coupez le courant au tableau d'alimentation et verrouillez celui-ci pour empêcher que la tension soit remise accidentellement. Lorsque le verrouillage de la déconnexion n'est pas possible, mettez bien en vue un signal d'avertissement telle qu'une étiquette, sur le panneau d'alimentation.
3. L'installation et la pose des fils électriques doivent être effectuées par une ou des personnes qualifiées conformément à tous les codes et normes applicables, incluant les normes de construction en rapport aux incendies.
4. Il faut suffisamment d'air pour une combustion appropriée et l'échappement des gaz par le tuyau de la cheminée de l'équipement brûlant du combustible pour prévenir un contre-courant. Suivez les instructions du fabricant de l'équipement de chauffage et les normes de sécurité telles que celles publiées par la National Fire Protection Association (NFPA) et l'American Society for Heating, Refrigeration and Air Conditioning Engineers (ASHRAE) et des autorités du code local.
5. Lors de la coupe ou du perçage dans un mur ou un plafond, prenez soin de ne pas endommager les fils électriques et les autres utilités dissimulées.
6. La décharge des ventilateurs à conduit par l'évent doit toujours se faire à l'extérieur.
7. Pour réduire le risque d'incendie, utilisez seulement des conduits de ventilation en métal.
8. Si cette unité doit être installée au-dessus d'une baignoire ou d'une douche, elle doit être marquée comme étant appropriée pour l'application et être connectée à un circuit dérivé protégé GFCI (interrupteur de circuit en cas de défaut de mise à la terre du neutre).
9. Ne placez jamais un interrupteur dans un endroit où il peut être rejoint d'une baignoire ou d'une douche.
10. Cette unité doit être mise à la terre.

ATTENTION

1. Pour ventilation générale seulement. Ne l'utilisez pas pour évacuer les vapeurs ou matériaux dangereux ou que peuvent exploser.
2. Pour éviter d'endommager les coussinets du moteur et des turbines bruyantes et/ou mal équilibrées, assurez que l'unité motrice est exempte de poussière provenant des murs en pierres sèches et la construction.
3. Veuillez lire l'étiquette de spécifications sur le produit pour d'autres renseignements et exigences.

Installateur: Remettez ce manuel au propriétaire de maison.

Propriétaire de maison: Mode d'utilisation et soin à la page 7.

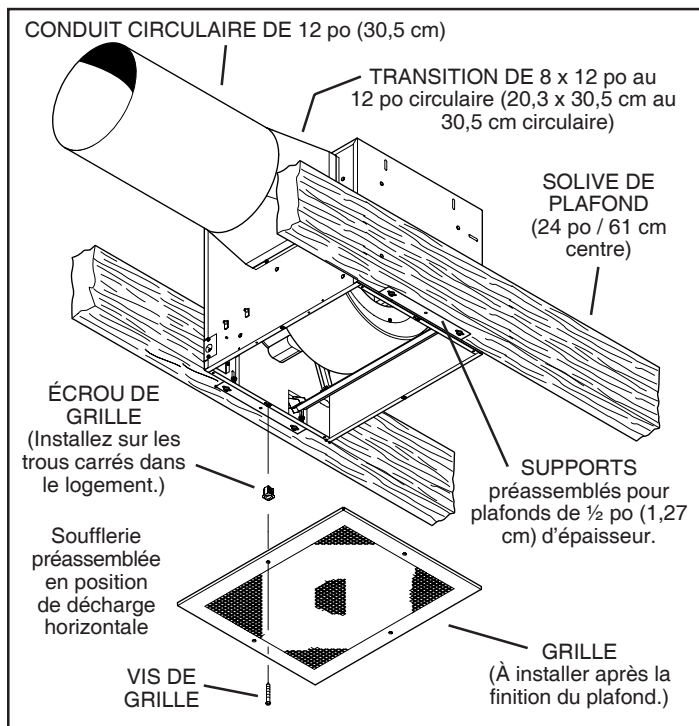
TABLE DES MATIÈRES

Ce manuel se divise comme suit :

- **INSTALLATION TYPIQUE**
Cette section montre une installation standard dans un bâtiment en cours de construction ou déjà construit.
 - Montage (construction en cours)
 - Montage (construction terminée)
 - Câblage
 - Installation des conduits (décharge de soufflerie horizontale)
- **OPTIONS DE MONTAGE**
- **OPTIONS DE CÂBLAGE**
 - Position de la plaque de câblage
- **OPTIONS D'INSTALLATION DES CONDUITS**
 - Positions de la décharge de la soufflerie
 - Installation des conduits (décharge de soufflerie verticale)
- **UTILISATION ET ENTRETIEN**
- **PIÈCES DE RECHANGE**
- **GARANTIE**

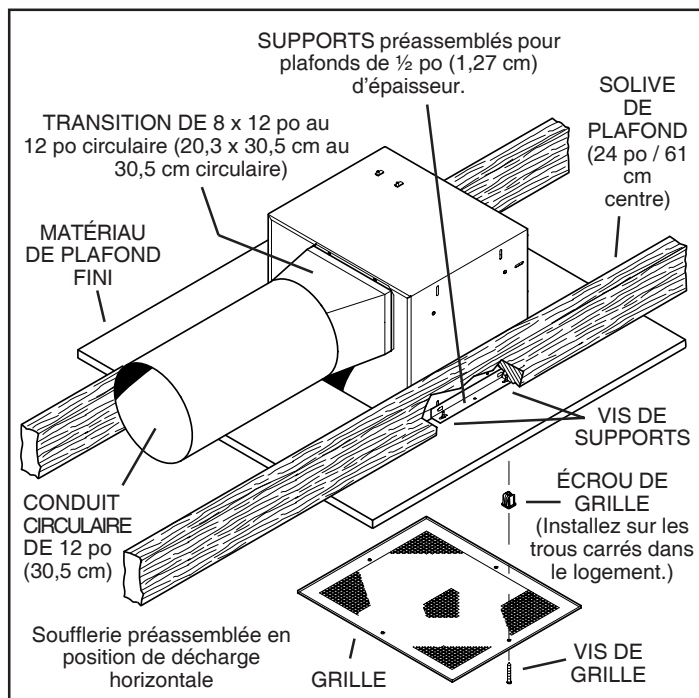
INSTALLATION TYPIQUE

MONTAGE (Construction en cours)



Appareil installé dans un bâtiment en cours de construction.

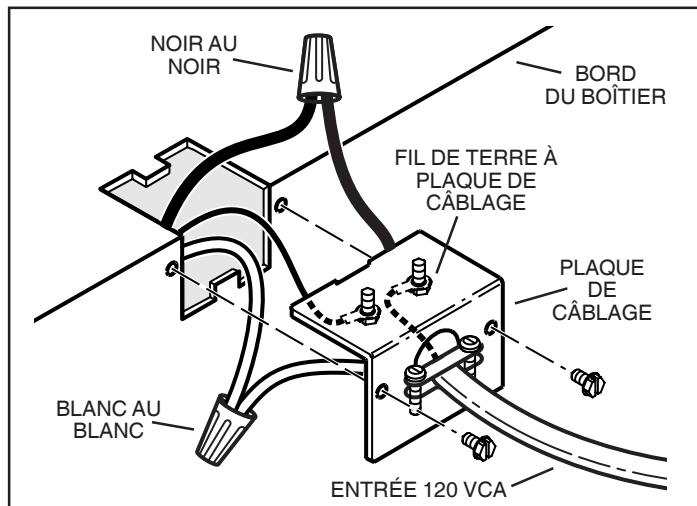
MONTAGE (construction terminée)



Appareil installé dans un bâtiment déjà construit.

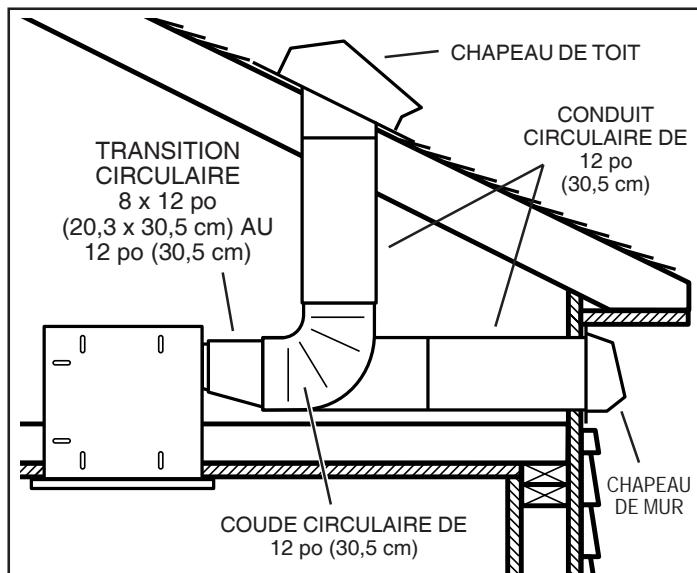
INSTALLATION TYPIQUE

CÂBLAGE



Le ventilateur peut être branché depuis l'extérieur du boîtier. Utiliser des connecteurs homologués UL pour les branchements, conformément aux codes locaux en vigueur.

INSTALLATION DES CONDUITS (décharge de soufflerie horizontale)



Deux manières de raccorder les conduits à un appareil prémonté.

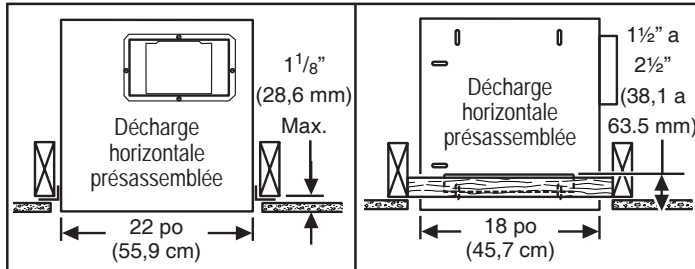
IMPORTANT:

Retirez la bande d'expédition de l'amortisseur.

Veiller à retirer le ruban adhésif d'expédition du volet du registre et s'assurer que ce dernier s'ouvre et se ferme librement à l'intérieur du conduit. Utiliser du ruban adhésif pour assurer et étancher les raccords des conduits.

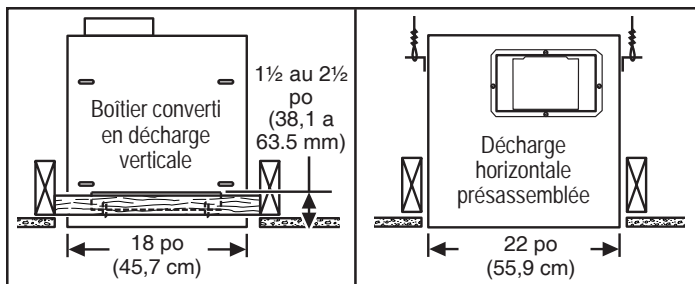
OPTIONS DE MONTAGE

Des écrous à six pans 1/4-20 fixent les supports au boîtier. Desserrer et resserrer ou retirer et replacer les écrous si nécessaire, selon la position désirée pour le support.



Supports en position préassemblée
 (Sortie parallèle aux solives)
 (Bâtiment en cours de construction)

Supports retournés et fixés à un cadre supplémentaire.
 (Sortie perpendiculaire aux solives)
 (Construction neuve ou existante)

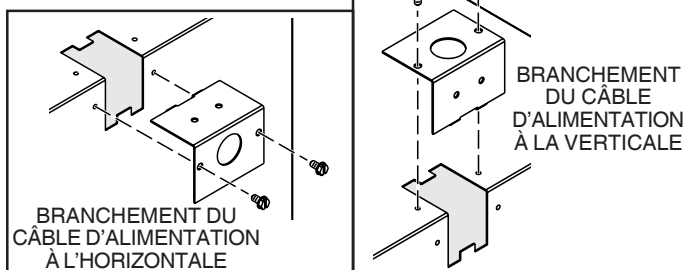


Supports retournés et fixés à un cadre supplémentaire.
 (Sortie verticale)
 (Construction neuve ou existante)

Supports retournés et fixés en haut du boîtier. Boîtier suspendu par des câbles.
 (Sortie parallèle aux solives)
 (Construction neuve ou existante)

OPTIONS DE CÂBLAGE

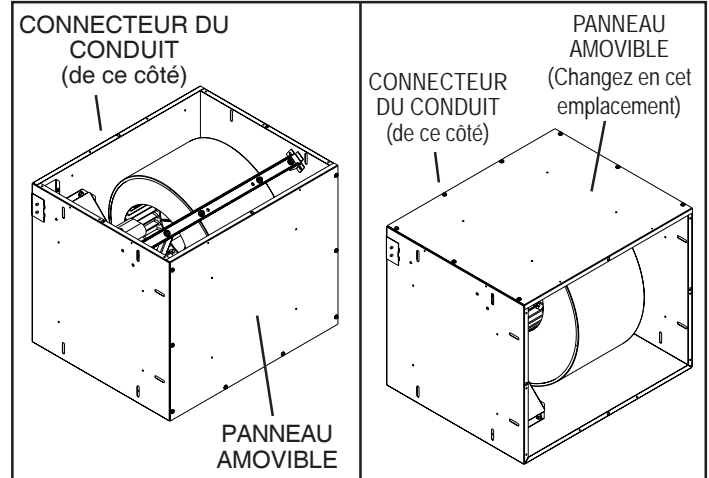
POSITION DE LA PLAQUE DE CÂBLAGE



La plaque de câblage se fixe sur le côté ou sur le dessus du boîtier.

OPTIONS D'INSTALLATION DES CONDUITS

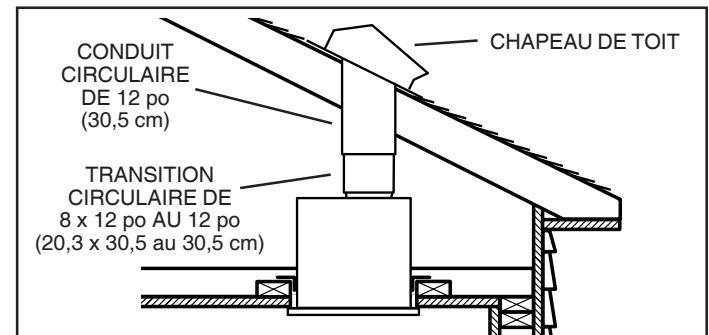
POSITIONS DE LA DÉCHARGE DE LA SOUFFLERIE



Ventilateur illustré en position de décharge horizontale.
 (Préassemblé)

Ventilateur illustré en position de décharge verticale.
 (Changer la position du panneau amovible tel qu'illustré.)

INSTALLATION DES CONDUITS (décharge de soufflerie verticale)



Raccordement de conduit typique à un ventilateur converti en décharge verticale

UTILISATION ET ENTRETIEN

Le ventilateur a été conçu pour une utilisation continue. Si désiré, il peut être commandé à l'aide d'un interrupteur marche/arrêt ou d'un régulateur de vitesse à semi-conducteurs. Suivre les instructions de câblage fournies avec le régulateur et respecter tous les codes locaux et provinciaux en vigueur, de même que le Code national de l'électricité.

AVERTISSEMENT : Pour diminuer les risques de décharge électrique, débrancher la source d'alimentation avant toute opération d'entretien.

Pour nettoyer la grille : Utiliser un accessoire d'aspirateur approprié ou retirer la grille et nettoyer à l'aide d'un chiffon doux et de savon ou de détergent doux. Bien essuyer la grille avant de la réinstaller.

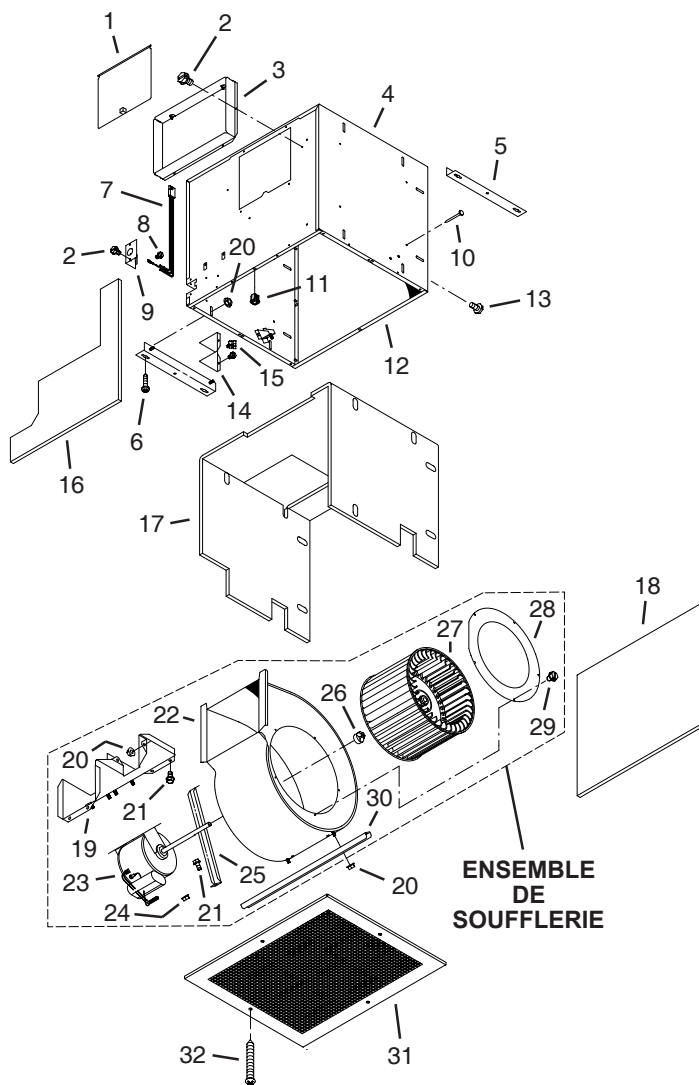
Pour nettoyer la soufflerie : Retirer la grille, débrancher la soufflerie du boîtier, retirer les écrous de fixation de la soufflerie et retirer délicatement la soufflerie du boîtier. Utiliser un accessoire d'aspirateur approprié ou retirer la grille et nettoyer à l'aide d'un chiffon doux et de savon ou de détergent doux pour nettoyer la zone de décharge de la soufflerie et la roue. **NE PAS LAISSER D'EAU S'INFILTRER DANS LE MOTEUR.** S'assurer que la soufflerie est complètement sèche avant de la réinstaller.

Le moteur est lubrifié en permanence. Ne pas lubrifier ou démonter le moteur.

PIÈCES DE RECHANGE

LÉGENDE	N° DE RÉF.	DESCRIPTION
1	97014853	Clapet
2	99150415	Vis, #8B x ¼" (10 oblig.)
3	98009520	Registre
4	97014784	Boîtier
5	97014728	Support (2 oblig.)
6	99150591	Vis, #10-12 x .625 (4 oblig.)
7	97006142	Harnais à fils
8	99150471	Vis de terre, 10-32 x ½" (2 oblig.)
9	98005512	Plaque de câblage
10	99420466	Pince de montage d'isolant (16 oblig.)
11	99420470	Écrou de grille (4 oblig.)
12	98009518	Panneau amovible du boîtier
13	93150487	Vis, #10-24 x .375" (8 oblig.)
14	98005513	Couvercle de la boîte de câblage
15	99400035	Réducteur de tension
16	99500394	Isolant, avant
17	99500393	Isolant, base
18	99500395	Isolant, arrière
19	97014788	Support de moteur
20	99260477	Écrou, ¼"-20" (11 oblig.)
21	99200202	Vis, ¼"-20 x ½" (5 oblig.)
22	97014785	Volute
23	99080490	Moteur (FF900)
	99080491	Moteur (FF1500)
24	93260447	Écrou hexagonal à collerette 5/16-18" (5 oblig.)
25	98009516	Support
26	99680019	Pince de roue
27	99020274	Roue de soufflerie (inclut n° légende 26)
28	98009514	Bague d'arrivée
29	99150417	Vis, #8-18 x ¼" (5 oblig.)
30	98009513	Support de volute
+	97014848	Soufflerie, ensemble (FF900) (inclut n° légende 19 à 30)
+	97014849	Soufflerie, ensemble (FF1500) (inclut n° légende 19 à 30)
31	98009522	Grille
32	99150472	Vis de fixation de grille (4 oblig.)

PIÈCES DE RECHANGE



Commander les pièces de rechange par numéro de référence et non à l'aide du numéro de légende.

* Visserie standard - peut être achetée localement.

+ Non montré assemblé.

GARANTIE

GARANTIE LIMITÉE D'UN AN

Soler & Palau Breidert Air Products JencoFan garantit ses produits contre tout défaut de matériau ou de fabrication pendant une année, à compter de la date d'expédition. S'il s'avère, moins d'un an après que la société ait expédié le produit à l'acheteur initial, que le ventilateur ou les matériaux qui le composent ne respectent pas les garanties stipulées ci-haut, dans la mesure où l'acheteur en a promptement avisé la société, celle-ci s'engage à corriger lesdites déficiences, à sa seule option, en réparant toute pièce défectueuse ou en fournissant à l'usine de la société une pièce réparée ou de rechange.

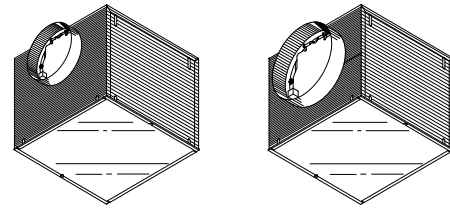
La présente garantie ne s'applique à aucun équipement qui aura été modifié ou réparé de telle sorte, selon l'opinion de la société, à affecter ses performances ou sa fiabilité, ou qui aura été mal installé ou fait l'objet d'une mauvaise utilisation, d'une négligence ou d'un accident. Cette garantie ne couvre ni la main-d'oeuvre nécessaire pour le démontage ou l'installation de pièces, ni les pertes de profit attribuables à une défaillance du ventilateur, des moteurs électriques ou des courroies. Les moteurs électriques sont toutefois couverts par la garantie de leur fabricant.

Les pièces défectueuses doivent être renvoyées à la société avant l'émission d'aucun crédit. Ces pièces doivent être retournées tous frais de port payés. Les expéditions en port dû ou contre remboursement seront refusées.

Cette garantie remplace formellement toute autre garantie expresse ou tacite, ainsi que toute autre obligation ou responsabilité de la part de la société. Celle-ci n'assume aucune autre responsabilité relative à la vente de ses équipements et n'autorise aucun de ses représentants ou quiconque à l'assumer en son nom.

Soler & Palau
 Breidert Air Products
 JencoFan
 6393 Powers Ave
 Jacksonville, FL 32217

IN-LINE VENTILATORS • 120V



READ AND SAVE THESE INSTRUCTIONS

WARNING

TO REDUCE THE RISK OF FIRE, ELECTRIC SHOCK, OR INJURY TO PERSONS, OBSERVE THE FOLLOWING:

1. Use this unit only in the manner intended by the manufacturer. If you have questions, contact the manufacturer at the address or telephone number listed in the warranty.
2. Before servicing or cleaning unit, switch power off at service panel and lock the service disconnecting means to prevent power from being switched on accidentally. When the service disconnecting means cannot be locked, securely fasten a prominent warning device, such as a tag, to the service panel.
3. Installation work and electrical wiring must be done by a qualified person(s) in accordance with all applicable codes and standards, including fire-rated construction codes and standards.
4. Sufficient air is needed for proper combustion and exhausting of gases through the flue (chimney) of fuel burning equipment to prevent backdrafting. Follow the heating equipment manufacturer's guideline and safety standards such as those published by the National Fire Protection Association (NFPA), and the American Society for Heating, Refrigeration and Air Conditioning Engineers (ASHRAE), and the local code authorities.
5. When cutting or drilling into wall or ceiling, do not damage electrical wiring and other hidden utilities.
6. Ducted fans must always be vented to the outdoors.
7. To reduce the risk of fire, use only metal ductwork.
8. If this unit is to be installed over a tub or shower, it must be marked as appropriate for the application and be connected to a GFCI (Ground Fault Interrupter) - protected branch circuit.
9. Never place a switch where it can be reached from a tub or shower.
10. This unit must be grounded.

CAUTION

1. For general ventilating use only. Do not use to exhaust hazardous or explosive materials and vapors.
2. To avoid motor bearing damage and noisy and/or unbalanced impellers, keep drywall spray, construction dust, etc. off power unit.
3. **If ventilator is installed in an unconditioned space (such as an attic):** Surround the ventilator with thermal insulation - to minimize possible condensation.
4. Please read specification label on product for further information and requirements.

TABLE OF CONTENTS

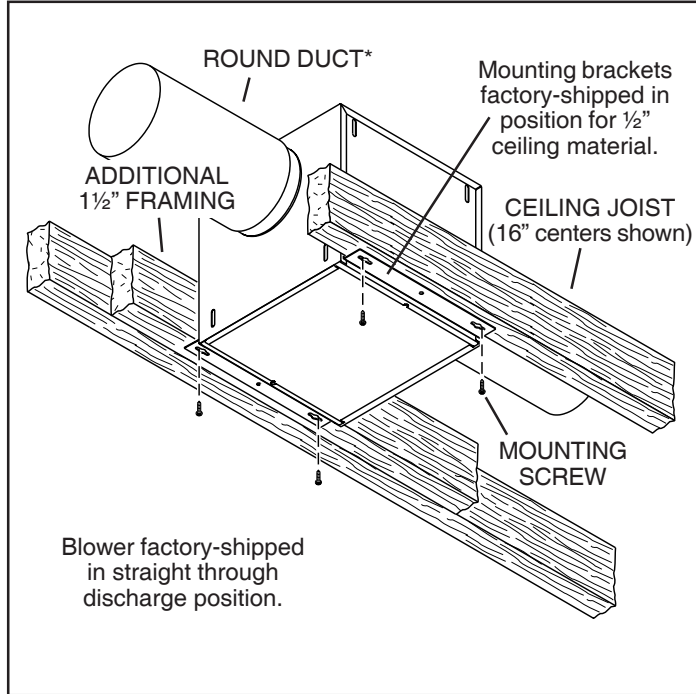
This manual is divided into sections as follows:

- **“TYPICAL INSTALLATION”**
This section shows a common installation in new and existing, frame construction.
 - Mounting (new construction)
 - Mounting (existing construction)
 - Wiring
 - Ducting (straight through blower discharge)
- **“MOUNTING OPTIONS”**
- **“WIRING OPTIONS”**
 - Wiring Plate Position
- **“DUCTING OPTIONS”**
 - Blower Discharge Positions
 - Ducting (right angle blower discharge)
- **“USE AND CARE”**
- **“SERVICE PARTS”**
- **“WARRANTY”**

**Installer: Leave this manual with the homeowner.
Homeowner: Use and Care information on page 3.**

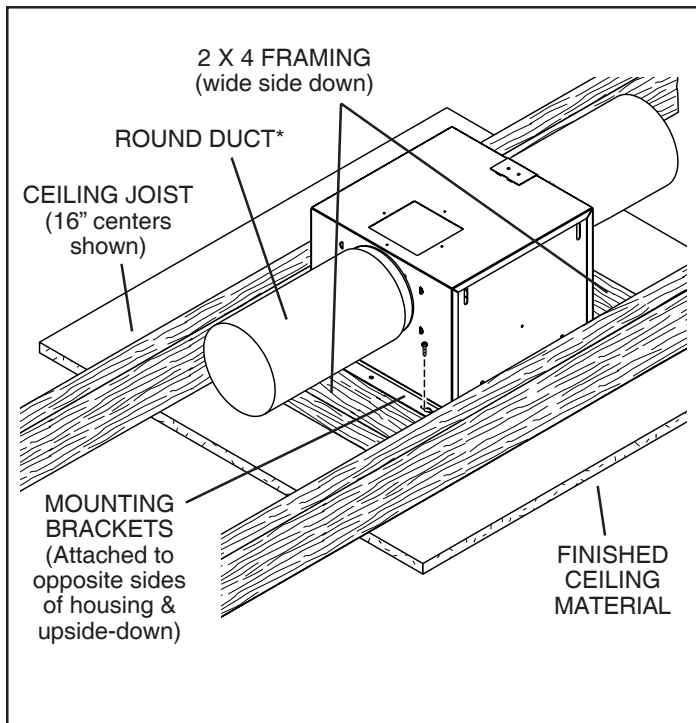
TYPICAL INSTALLATION

MOUNTING (New Frame Construction)



Factory-shipped unit installed in new construction.

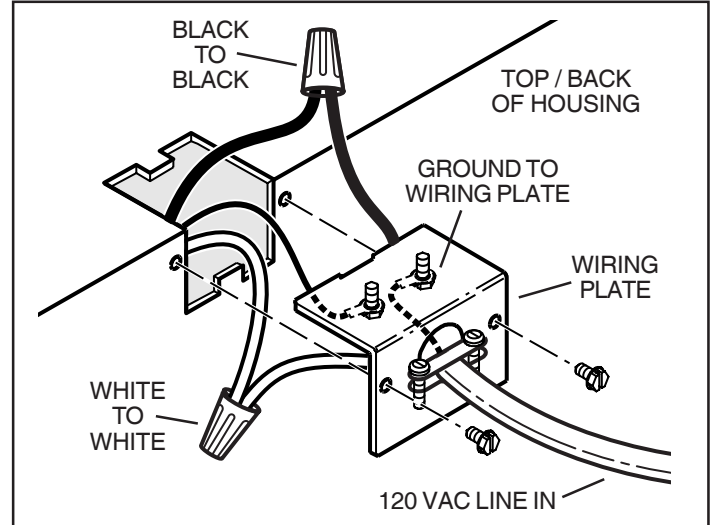
MOUNTING (Existing Frame Construction)



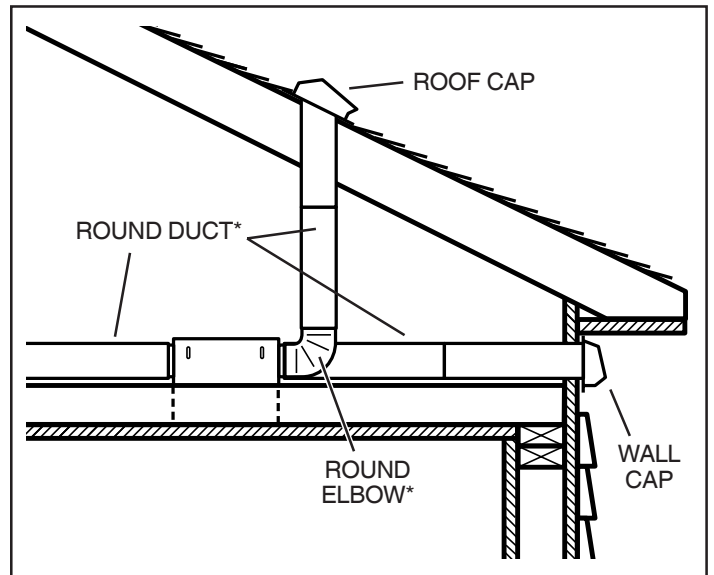
* FFC100 & FFC150 use 6" round duct.
FFC200, FFC250 & FFC300 use 8" round duct.

TYPICAL INSTALLATION

WIRING



DUCTING (Horizontal blower discharge)



* FFC100 & FFC150 use 6" round duct.
FFC200, FFC250 & FFC300 use 8" round duct.

IMPORTANT:

Remove shipping tape from damper

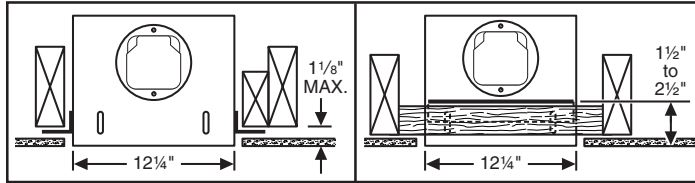
Remove the shipping tape from the damper flap and make sure that damper flap opens and closes freely inside the ductwork. Use duct tape to make ductwork connections secure and air-tight.

Remove shipping ring from blower inlet

Remove the shipping ring from the blower inlet before operating the ventilator.

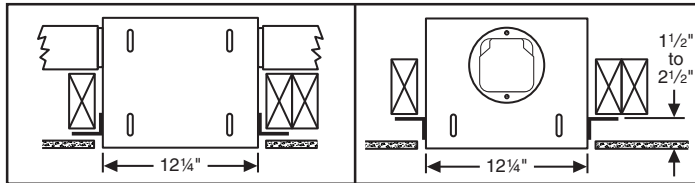
MOUNTING OPTIONS

¼-20 hex nuts secure mounting brackets to housing. Loosen and re-tighten or remove and replace nuts as necessary for desired mounting bracket position.



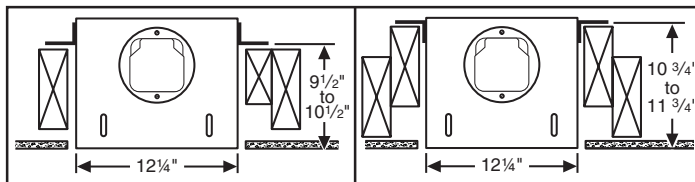
Mounting brackets in factory-shipped position. (Outlet parallel to joists.) (New construction)

Mounting brackets flipped over and mounted to outlet sides of housing. (Outlet parallel to joists.) (Existing construction)



Mounting brackets mounted to outlet sides of housing. (Outlet perpendicular to joists.) (New construction)

Mounting brackets flipped over to give approx. 1" more clearance. (Outlet parallel to joists.) (New construction)

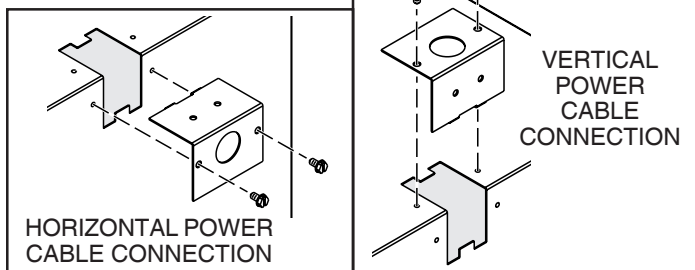


Mounting brackets mounted to top of sides of housing. (Outlet parallel to joists.) (New or existing construction)

Mounting brackets flipped over and mounted to top of sides of housing. (Outlet parallel to joists.) (New or existing construction)

WIRING OPTIONS

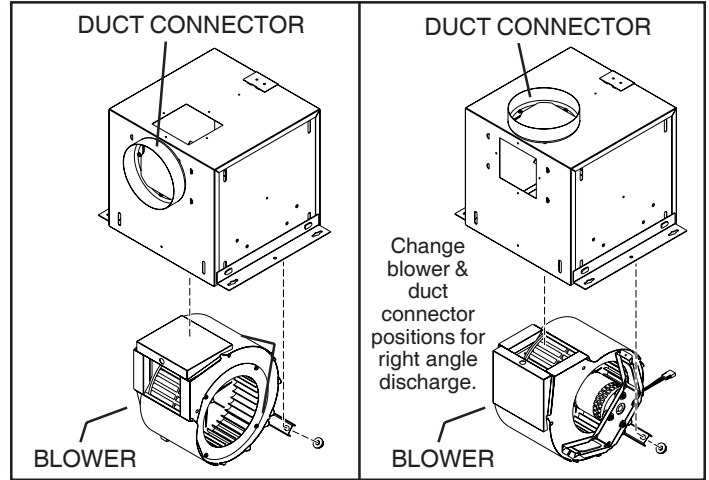
WIRING PLATE POSITION



Wiring plate mounts to side or top of housing.

DUCTING OPTIONS

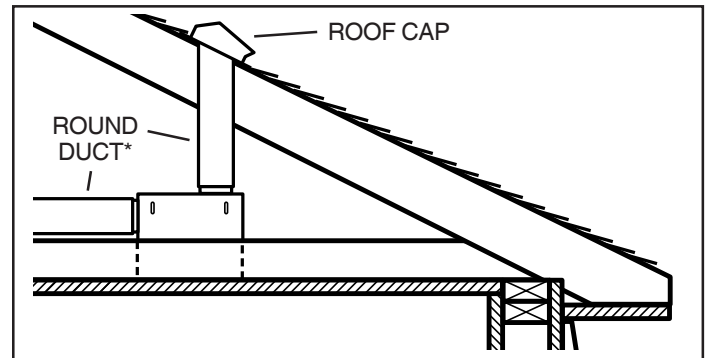
BLOWER DISCHARGE POSITIONS



Blower and duct connector in straight through discharge position. (Factory shipped)

Blower and duct connector in right angle discharge position.

DUCTING (Right angle blower discharge)



Typical ductwork connection to a ventilator converted to right angle discharge.

* FFC100 & FFC150 use 6" round duct.
FFC200, FFC250 & FFC300 use 8" round duct.

USE AND CARE

Ventilator is designed for continuous operation. If desired, it may be controlled using an on/off switch or an electronic, variable speed control. Follow wiring instructions packed with control, and adhere to all local and state codes, and the National Electrical Code.

⚡ WARNING: To reduce the risk of electric shock, disconnect from power supply before servicing.

To clean blower assembly: Remove access panel, unplug blower from housing, remove blower mounting nuts, and carefully remove blower from housing. Use appropriate vacuum attachment or a soft cloth and mild soap or detergent to clean blower discharge area and wheel. **DO NOT ALLOW WATER TO ENTER MOTOR.** Make sure blower assembly is completely dry before reinstalling.

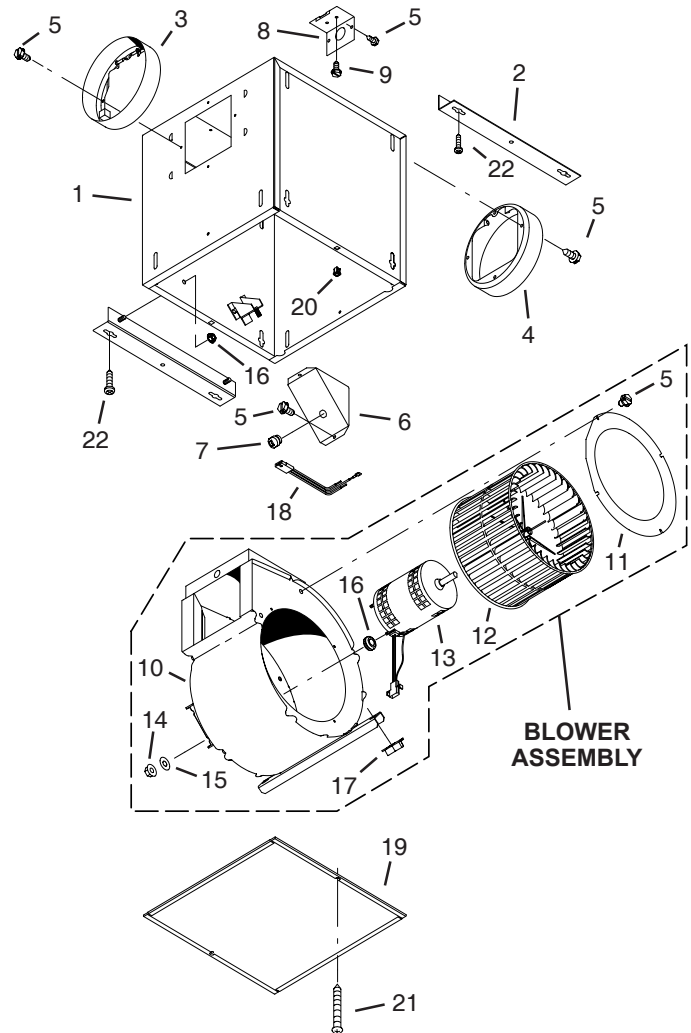
Motor is permanently lubricated. Do not oil or disassemble motor.

SERVICE PARTS

KEY NO.	PART NO.	DESCRIPTION
1	97014735 97014736	Housing Assembly (FFC100 & FFC150) Housing Assembly (FFC200, FFC250, & FFC300)
2	97014728	Mounting Bracket (2 req.)
3	97014760 97014761	Damper Assembly (6" dia.) Damper Assembly (8" dia.)
4	99390098 99390099	Duct Connector (6" dia.) Duct Connector (8" dia.)
5	99150415	Screw, 8-18 x 1/4 (12 req.)*
6	98005513	Wire Box Cover
7	99400035	Strain Relief Bushing
8	98005512	Wiring Plate
9	99150471	Ground Screw, 10-32 x 1/2 (2 req.)
10	97014774 97014775	Scroll Assembly (FFC100 & FFC150) Scroll Assembly (FFC200, FFC250, & FFC300)
11	98009399	Inlet Ring
12	99110805	Blower Wheel
13	99080481 99080482 99080483 99080484 99080485	Motor (FFC100) Motor (FFC150) Motor (FFC200) Motor (FFC250) Motor (FFC300)
14	99260558	Lock Nut, 8-32 (4 req.)*
15	99250959	Washer (4 req.)*
16	99100491	Grommet (4 req.) Blower Assembly, Complete (Includes Key Nos. 5 & 10-16)
	97014800 97014801 97014802 97014803 97014804	(FFC100) (FFC150) (FFC200) (FFC250) (FFC300)
17	99260477	Nut, 1/4-20 (6 req.)*
18	97006039	Wire Harness
19	98009417	Access Panel
20	99420470	Cover Nut (2 req.)
21	99150472	Cover Mounting Screw (2 req.)
22	99150591	Screw, 10-16 x 7/8 (4 req.)*

Order replacement parts by PART NO. - not by KEY NO.
* Standard hardware - may be purchased locally.

SERVICE PARTS



WARRANTY

ONE YEAR LIMITED WARRANTY

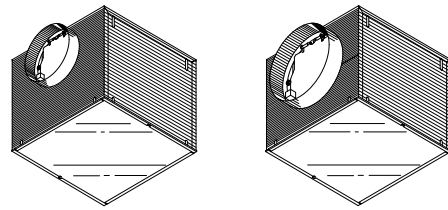
Soler & Palau Breidert Air Products JencoFan, warrants all products to be free from defects in material or workmanship for a period of one year from date of shipment. If it appears within one year from date of shipment by the Company to the original purchaser that any such ventilator or the material used therein does not meet the warranties specified above and the purchaser notifies the Company promptly, the Company agrees to remedy any such defect, at the company's option.

This warranty shall not apply to any equipment which has been repaired or altered in any way so as, in the company's judgement, to affect its performance or reliability, nor which has been improperly installed or subjected to misuse, negligence, or accident. Neither shall this warranty apply to labor to remove or install defective parts, profits lost due to failure of the ventilator or electric motors or belts. Electric motors, however, carry the warranty of the motor manufacturer.

This warranty is expressly in lieu of all other warranties expressed or implied, and of all other obligations or liabilities on the company's part. The company neither assumes, nor authorizes any representative or other persons to assume for it, any other liability in connection with the sale of its equipment.

Soler & Palau
Breidert Air Products
JencoFan
6393 Powers Ave
Jacksonville, FL 32217

VENTILATEURS DANS LIGNE • 120V



LIRE ET CONSERVER CES INSTRUCTIONS

AVERTISSEMENT

POUR RÉDUIRE LE RISQUE D'INCENDIE, DE CHOC ÉLECTRIQUE OU DE BLESSURES PERSONNELLES, OBSERVEZ CE QUI SUIT:

1. Utilisez cette unité seulement de la façon prévue par le fabricant. Pour d'autres renseignements, contactez le fabricant à l'adresse ou au numéro de téléphone qui se trouve dans la garantie.
2. Avant d'effectuer une réparation ou un entretien sur cet appareil, coupez le courant au tableau d'alimentation et verrouillez celui-ci pour empêcher que la tension soit remise accidentellement. Lorsque le verrouillage de la déconnexion n'est pas possible, mettez bien en vue un signal d'avertissement telle qu'une étiquette, sur le panneau d'alimentation.
3. L'installation et la pose des fils électriques doivent être effectuées par une ou des personnes qualifiées conformément à tous les codes et normes applicables, incluant les normes de construction en rapport aux incendies.
4. Il faut suffisamment d'air pour une combustion appropriée et l'échappement des gaz par le tuyau de la cheminée de l'équipement brûlant du combustible pour prévenir un contre-courant. Suivez les instructions du fabricant de l'équipement de chauffage et les normes de sécurité telles que celles publiées par la National Fire Protection Association (NFPA) et l'American Society for Heating, Refrigeration and Air Conditioning Engineers (ASHRAE) et des autorités du code local.
5. Lors de la coupe ou du perçage dans un mur ou un plafond, prenez soin de ne pas endommager les fils électriques et les autres utilités dissimulées.
6. La décharge des ventilateurs à conduit par l'évent doit toujours se faire à l'extérieur.
7. Pour réduire le risque d'incendie, utilisez seulement des conduits de ventilation en métal.
8. Si cette unité doit être installée au-dessus d'une baignoire ou d'une douche, elle doit être marquée comme étant appropriée pour l'application et être connectée à un circuit dérivé protégé GFCI (interrupteur de circuit en cas de défaut de mise à la terre du neutre).
9. Ne placez jamais un interrupteur dans un endroit où il peut être rejoint d'une baignoire ou d'une douche.
10. Cette unité doit être mise à la terre.

ATTENTION

1. Pour ventilation générale seulement. Ne l'utilisez pas pour évacuer les vapeurs ou matériaux dangereux ou que peuvent exploser.
2. Pour éviter d'endommager les coussinets du moteur et des turbines bruyantes et/ou mal équilibrées, assurez que l'unité motrice est exempte de poussière provenant des murs en pierres sèches et la construction.
3. **Si le ventilateur est installé dans un endroit non conditionné (tel qu'un grenier):** Entourez le ventilateur d'un isolant thermique afin de réduire toute condensation éventuelle.
4. Veuillez lire l'étiquette de spécifications sur le produit pour d'autres renseignements et exigences.

TABLE DES MATIÈRES

Ce manuel se divise comme suit :

• INSTALLATION TYPIQUE

Cette section montre une installation standard dans un bâtiment en cours de construction ou déjà construit.

- Montage (construction en cours)
- Montage (construction terminée)
- Câblage
- Installation des conduits (décharge de soufflerie dans ligne)

• OPTIONS DE MONTAGE

• OPTIONS DE CÂBLAGE

- Position de la plaque de câblage

• OPTIONS D'INSTALLATION DES CONDUITS

- Positions de la décharge de la soufflerie
- Installation des conduits (décharge de soufflerie droit angle)

• UTILISATION ET ENTRETIEN

• PIÈCES DE RECHANGE

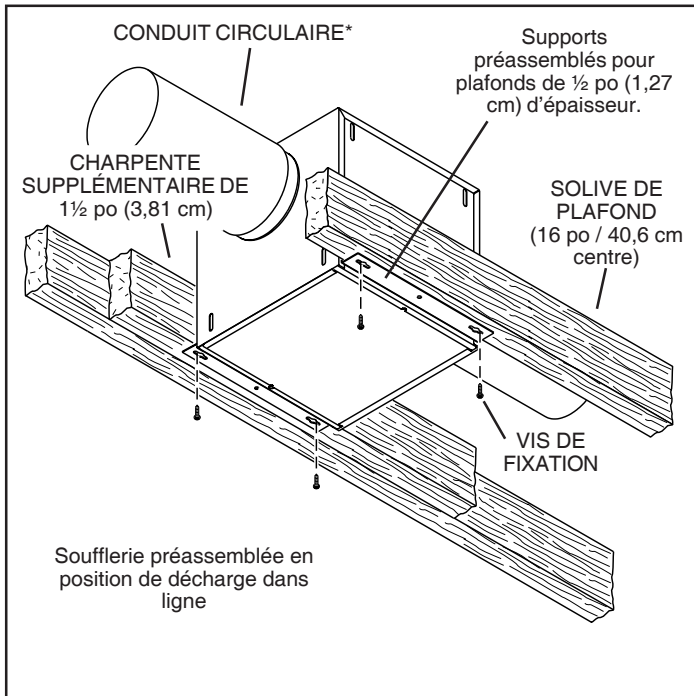
• GARANTIE

Installateur: Remettez ce manuel au propriétaire de maison.

Propriétaire de maison: Mode d'utilisation et soin à la page 7.

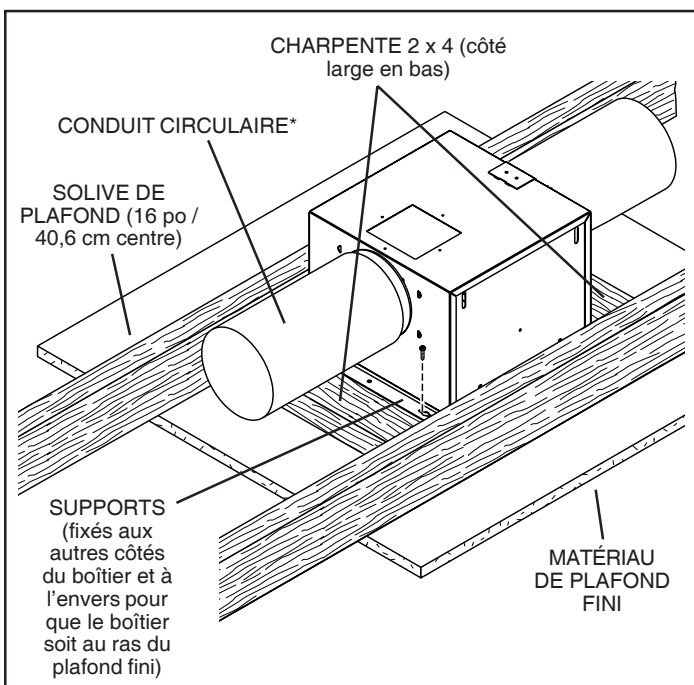
INSTALLATION TYPIQUE

MONTAGE (Construction en cours)



Appareil installé dans un bâtiment en cours de construction.

MONTAGE (construction terminée)

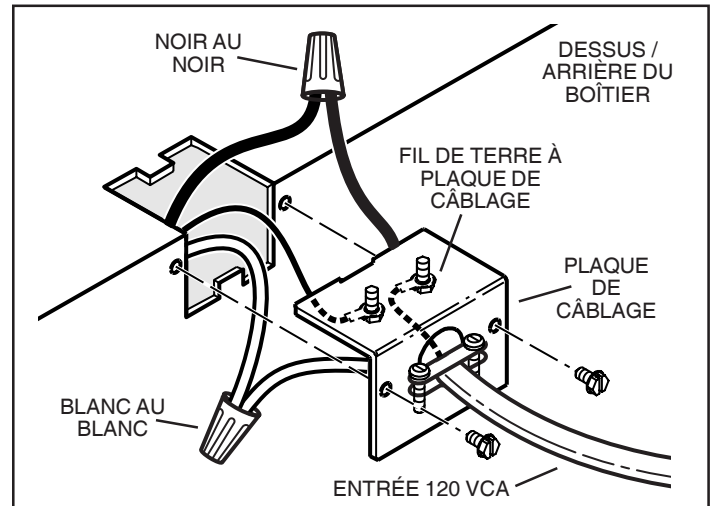


Appareil installé dans un bâtiment déjà construit.

* FFC100 et FFC150 utilise conduit circulaire de 15,2 cm (6 pouce).
 FFC200, FFC250 et FFC300 utilise conduit circulaire de 20,3 cm (8 pouce).

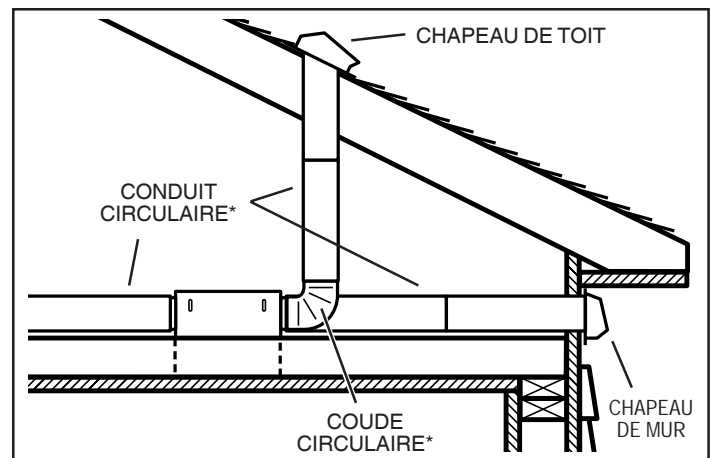
INSTALLATION TYPIQUE

CÂBLAGE



Le ventilateur peut être branché depuis l'extérieur du boîtier. Utiliser des connecteurs homologués UL pour les branchements, conformément aux codes locaux en vigueur.

INSTALLATION DES CONDUITS (décharge de soufflerie dans ligne)



Deux manières de raccorder les conduits à un appareil prémonté.

* FFC100 et FFC150 utilise conduit circulaire de 15,2 cm (6 pouce).
 FFC200, FFC250 et FFC300 utilise conduit circulaire de 20,3 cm (8 pouce).

IMPORTANT:

Retirez la bande d'expédition de l'amortisseur.

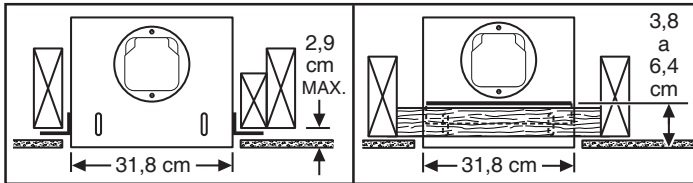
Veiller à retirer le ruban adhésif d'expédition du volet du registre et s'assurer que ce dernier s'ouvre et se ferme librement à l'intérieur du conduit. Utiliser du ruban adhésif pour assurer et étancher les raccords des conduits.

Retirez la boucle d'expédition de la prise de ventilateur.

Retirez la boucle d'expédition de la prise de ventilateur avant d'actionner le ventilateur.

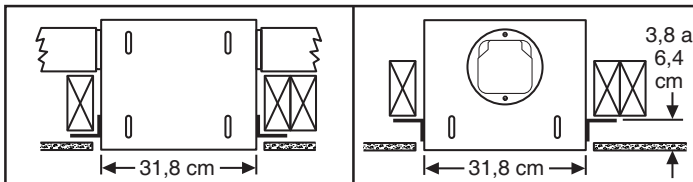
OPTIONS DE MONTAGE

Des écrous à six pans 1/4-20 fixent les supports au boîtier. Desserrer et resserrer ou retirer et replacer les écrous si nécessaire, selon la position désirée pour le support.



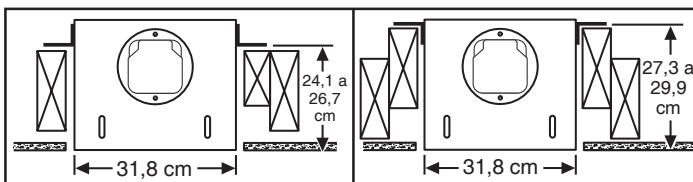
Supports en position préassemblée
 (Sortie parallèle aux solives)
 (Bâtiment en cours de construction)

Supports retournés et fixés de part et d'autre de la sortie du boîtier
 (Sortie perpendiculaire aux solives) (Bâtiment déjà construit)



Supports fixés de part et d'autre de la sortie du boîtier
 (Sortie perpendiculaire aux solives) (Bâtiment en cours de construction)

Supports retournés pour donner environ 1 po de dégagement supplémentaire
 (Sortie perpendiculaire aux solives) (Bâtiment en cours de construction)

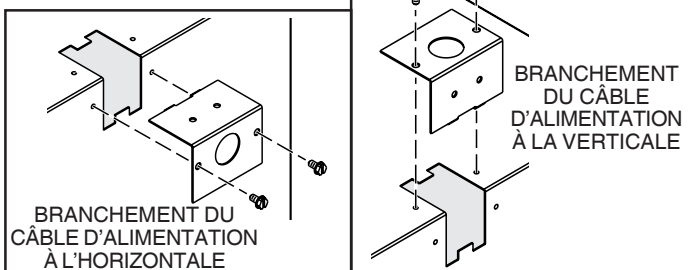


Supports fixés sur le dessus, de part et d'autre du boîtier
 (Sortie parallèle aux solives)
 (Bâtiment en cours de construction ou déjà construit)

Supports retournés et fixés sur le dessus, de part et d'autre du boîtier
 (Sortie parallèle aux solives)
 (Bâtiment en cours de construction ou déjà construit)

OPTIONS DE CÂBLAGE

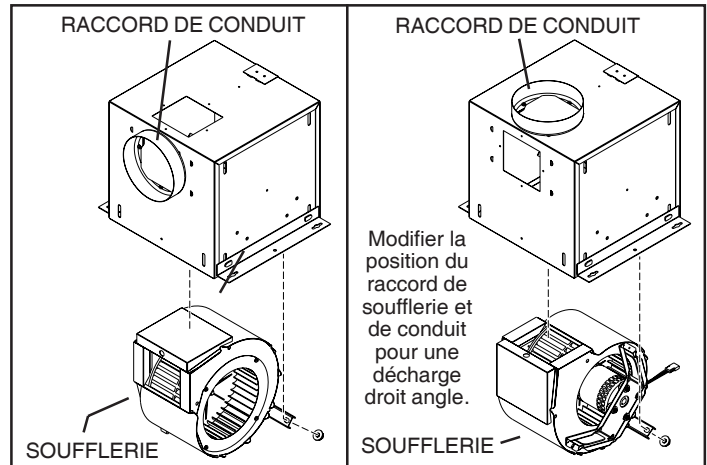
POSITION DE LA PLAQUE DE CÂBLAGE



La plaque de câblage se fixe sur le côté ou sur le dessus du boîtier.

OPTIONS D'INSTALLATION DES CONDUITS

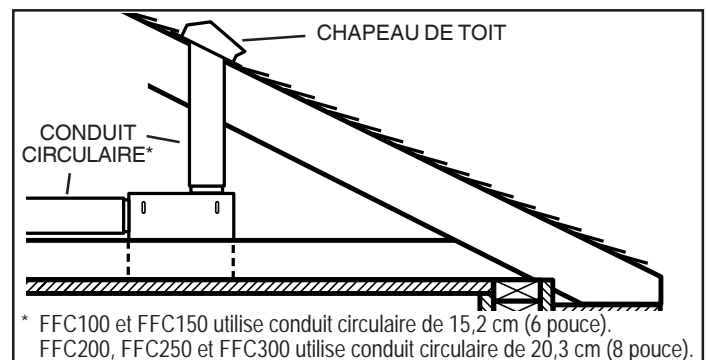
POSITIONS DE LA DÉCHARGE DE LA SOUFFLERIE



Raccord de soufflerie et de conduit en position de décharge dans ligne (préassemblée)

Raccord de soufflerie et de conduit en position de décharge droit angle

INSTALLATION DES CONDUITS (décharge de soufflerie droit angle)



Raccordement de conduit typique à un ventilateur converti en décharge droit angle.

UTILISATION ET ENTRETIEN

Le ventilateur a été conçu pour une utilisation continue. Si désiré, il peut être commandé à l'aide d'un interrupteur marche/arrêt ou d'un régulateur de vitesse à électronique. Suivre les instructions de câblage fournies avec le régulateur et respecter tous les codes locaux et provinciaux en vigueur, de même que le Code national de l'électricité.



AVERTISSEMENT : Pour diminuer les risques de décharge électrique, débrancher la source d'alimentation avant toute opération d'entretien.

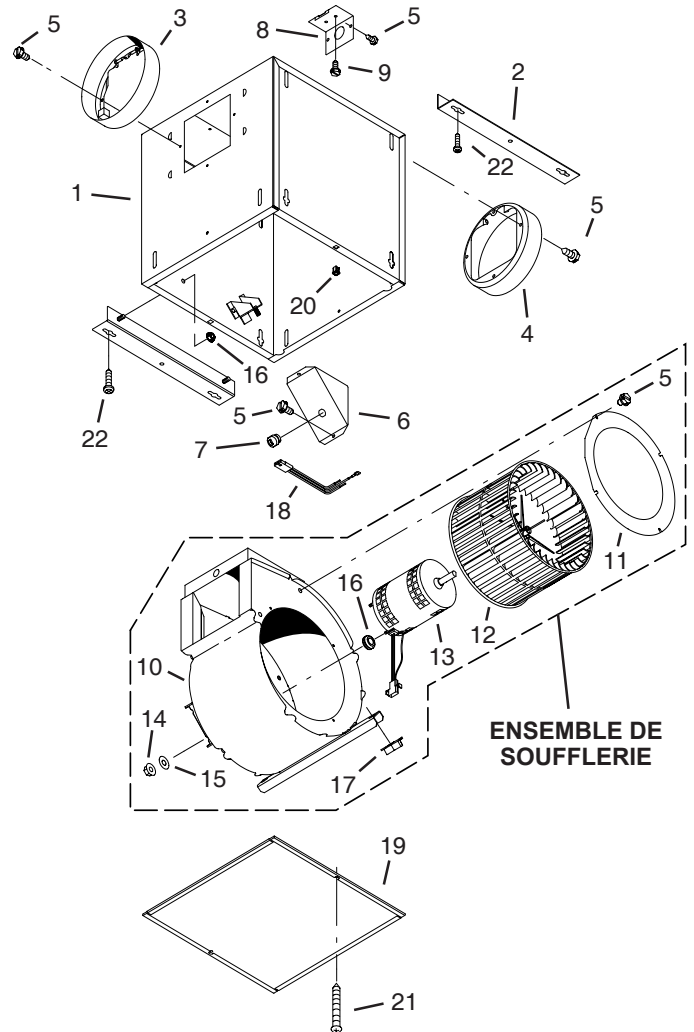
Pour nettoyer la soufflerie : Retirer le panneau de accès, débrancher la soufflerie du boîtier, retirer les écrous de fixation de la soufflerie et retirer délicatement la soufflerie du boîtier. Utiliser un accessoire d'aspirateur approprié ou retirer la grille et nettoyer à l'aide d'un chiffon doux et de savon ou de détergent doux pour nettoyer la zone de décharge de la soufflerie et la roue. **NE PAS LAISSER D'EAU S'INFILTRER DANS LE MOTEUR.** S'assurer que la soufflerie est complètement sèche avant de la réinstaller.

Le moteur est lubrifié en permanence. Ne pas lubrifier ou démonter le moteur.

PIÈCES DE RECHANGE

PIÈCES DE RECHANGE

LÉGENDE	N° DE RÉF.	DESCRIPTION
1	97014735	Boîtier (FFC100 et FFC150)
	97014736	Boîtier (FFC200, FFC250, et FFC300)
2	97014728	Support (2 oblig.)
3	97014760	Registre (diam. 6 po)
	97014761	Registre (diam. 8 po)
4	99390098	Raccord de conduit (diam. 6 po)
	99390099	Raccord de conduit (diam. 8 po)
5	99150415	Vis, 8-18 x 1/4 (12 oblig.)*
6	98005513	Couvercle de la boîte de câblage
7	99400035	Réducteur de tension
8	98005512	Plaque de câblage
9	99150471	Vis de terre, 10-32 x 1/2 (2 oblig.)
10	97014774	Volute (FFC100 et FFC150)
	97014775	Volute (FFC200, FFC250, et FFC300)
11	98009399	Bague d'arrivée
12	99110805	Roue de soufflerie
13	99080481	Moteur (FFC100)
	99080482	Moteur (FFC150)
	99080483	Moteur (FFC200)
	99080484	Moteur (FFC250)
	99080485	Moteur (FFC300)
14	99260558	Écrou, 8-32 (4 oblig.)*
15	99250959	Rondelle (4 oblig.)*
16	99100491	Bague d'étoupe (4 oblig.)*
	97014800	Soufflerie, ensemble (includ n° lég. 5 et 10 à 16)
	97014801	(FFC100)
	97014802	(FFC150)
	97014803	(FFC200)
	97014804	(FFC250)
	97014804	(FFC300)
17	99260477	Écrou, 1/4-20 (6 oblig.)*
18	97006039	Harnais à fils
19	98009417	Panneau d'accès
20	99420470	Écrou de panneau d'accès (2 oblig.)
21	99150472	Vis de support de panneau d'accès (2 oblig.)
22	99150591	Vis, 10-16 x 7/8 (4 oblig.)*



Commander les pièces de rechange par numéro de référence et non à l'aide du numéro de légende.

* Visserie standard - peut être achetée localement.

GARANTIE

GARANTIE LIMITÉE D'UN AN

Soler & Palau Breidert Air Products JencoFan garantit ses produits contre tout défaut de matériau ou de fabrication pendant une année, à compter de la date d'expédition. S'il s'avère, moins d'un an après que la société ait expédié le produit à l'acheteur initial, que le ventilateur ou les matériaux qui le composent ne respectent pas les garanties stipulées ci-haut, dans la mesure où l'acheteur en a promptement avisé la société, celle-ci s'engage à corriger lesdites déficiences, à sa seule option, en réparant toute pièce défectueuse ou en fournissant à l'usine de la société une pièce réparée ou de rechange.

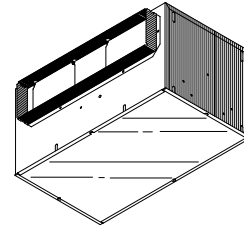
La présente garantie ne s'applique à aucun équipement qui aura été modifié ou réparé de telle sorte, selon l'opinion de la société, à affecter ses performances ou sa fiabilité, ou qui aura été mal installé ou fait l'objet d'une mauvaise utilisation, d'une négligence ou d'un accident. Cette garantie ne couvre ni la main-d'oeuvre nécessaire pour le démontage ou l'installation de pièces, ni les pertes de profit attribuables à une défaillance du ventilateur, des moteurs électriques ou des courroies. Les moteurs électriques sont toutefois couverts par la garantie de leur fabricant.

Les pièces défectueuses doivent être renvoyées à la société avant l'émission d'aucun crédit. Ces pièces doivent être retournées tous frais de port payés. Les expéditions en port dû ou contre remboursement seront refusées.

Cette garantie remplace formellement toute autre garantie expresse ou tacite, ainsi que toute autre obligation ou responsabilité de la part de la société. Celle-ci n'assume aucune autre responsabilité relative à la vente de ses équipements et n'autorise aucun de ses représentants ou quiconque à l'assumer en son nom.

Soler & Palau
 Breidert Air Products
 JencoFan
 6393 Powers Ave
 Jacksonville, FL 32217

IN-LINE VENTILATORS • 120V



READ AND SAVE THESE INSTRUCTIONS

WARNING

TO REDUCE THE RISK OF FIRE, ELECTRIC SHOCK, OR INJURY TO PERSONS, OBSERVE THE FOLLOWING:

1. Use this unit only in the manner intended by the manufacturer. If you have questions, contact the manufacturer at the address or telephone number listed in the warranty.
2. Before servicing or cleaning unit, switch power off at service panel and lock the service disconnecting means to prevent power from being switched on accidentally. When the service disconnecting means cannot be locked, securely fasten a prominent warning device, such as a tag, to the service panel.
3. Installation work and electrical wiring must be done by a qualified person(s) in accordance with all applicable codes and standards, including fire-rated construction codes and standards.
4. Sufficient air is needed for proper combustion and exhausting of gases through the flue (chimney) of fuel burning equipment to prevent backdrafting. Follow the heating equipment manufacturer's guideline and safety standards such as those published by the National Fire Protection Association (NFPA), and the American Society for Heating, Refrigeration and Air Conditioning Engineers (ASHRAE), and the local code authorities.
5. When cutting or drilling into wall or ceiling, do not damage electrical wiring and other hidden utilities.
6. Ducted fans must always be vented to the outdoors.
7. To reduce the risk of fire, use only metal ductwork.
8. If this unit is to be installed over a tub or shower, it must be marked as appropriate for the application and be connected to a GFCI (Ground Fault Interrupter) - protected branch circuit.
9. Never place a switch where it can be reached from a tub or shower.
10. This unit must be grounded.

CAUTION

1. For general ventilating use only. Do not use to exhaust hazardous or explosive materials and vapors.
2. To avoid motor bearing damage and noisy and/or unbalanced impellers, keep drywall spray, construction dust, etc. off power unit.
3. **If ventilator is installed in an unconditioned space (such as an attic):** Surround the ventilator with thermal insulation - to minimize possible condensation.
4. Please read specification label on product for further information and requirements.

TABLE OF CONTENTS

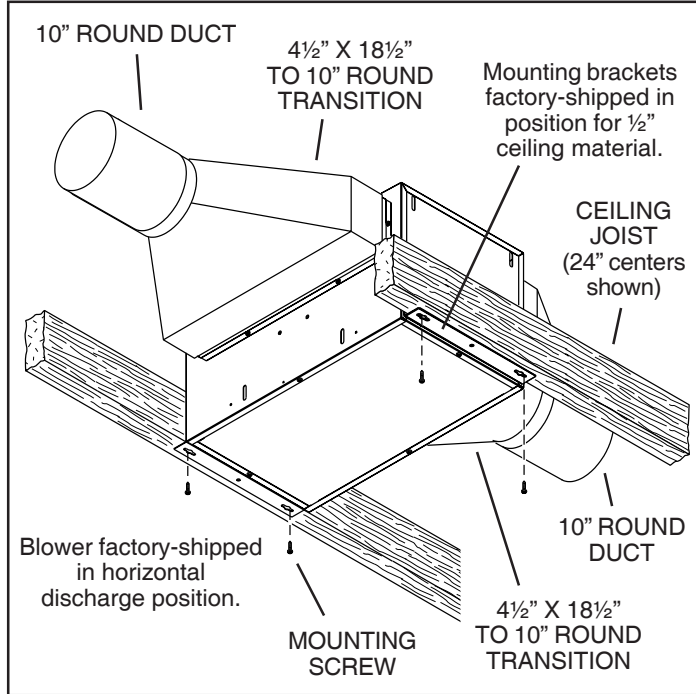
This manual is divided into sections as follows:

- **“TYPICAL INSTALLATION”**
This section shows a common installation in new and existing, frame construction.
 - Mounting (new construction)
 - Mounting (existing construction)
 - Wiring
 - Ducting (straight-through blower discharge)
- **“MOUNTING OPTIONS”**
- **“WIRING OPTIONS”**
 - Wiring Plate Position
- **“DUCTING OPTIONS”**
 - Blower Discharge Positions
 - Ducting (right angle blower discharge)
- **“USE AND CARE”**
- **“SERVICE PARTS”**
- **“WARRANTY”**

**Installer: Leave this manual with the homeowner.
Homeowner: Use and Care information on page 3.**

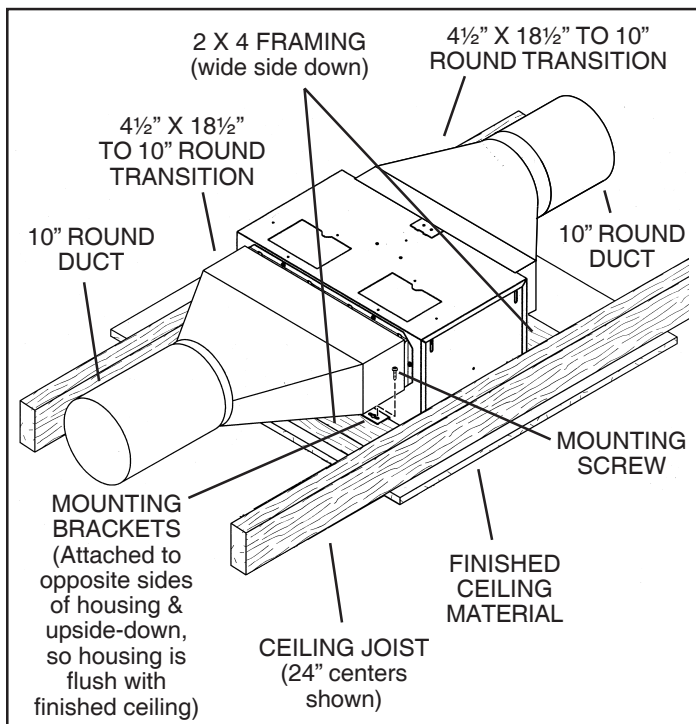
TYPICAL INSTALLATION

MOUNTING (New Frame Construction)



Factory-shipped unit installed in new construction.

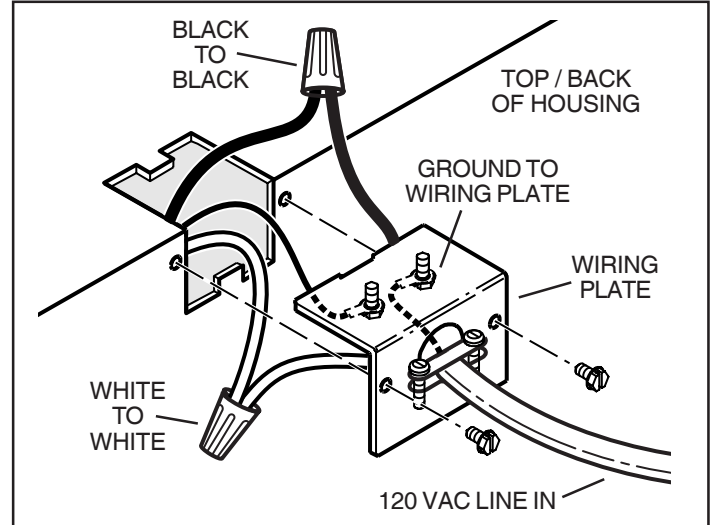
MOUNTING (Existing Frame Construction)



Factory-shipped unit installed in existing construction.

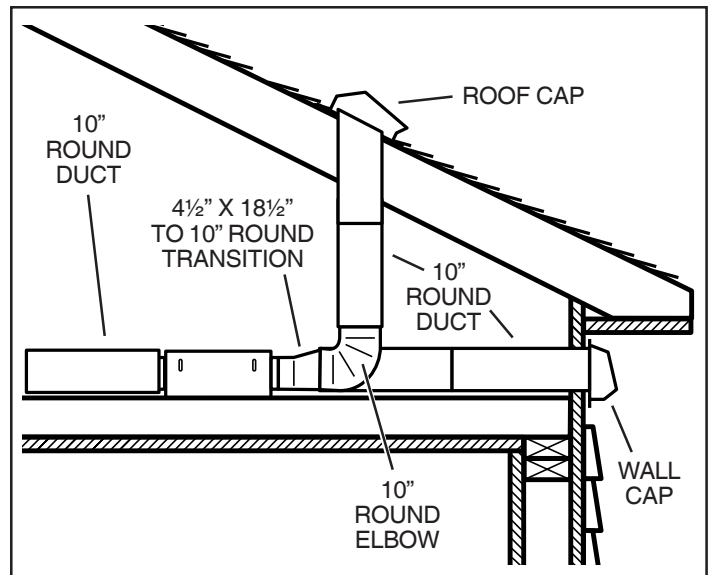
TYPICAL INSTALLATION

WIRING



*Ventilator can be wired from outside of housing.
Use UL approved connectors to wire per local codes.*

DUCTING (Straight-through blower discharge)

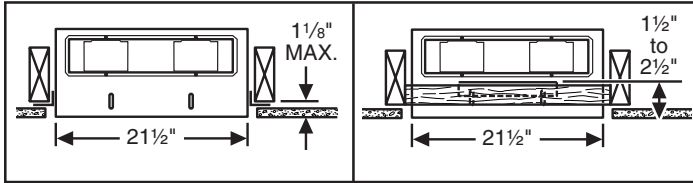


Two ways to connect ductwork to a factory-shipped unit.

NOTE: Make sure the shipping tape is removed from the damper flap and that damper flap opens and closes freely inside the ductwork. Use duct tape to make ductwork connections secure and air-tight.

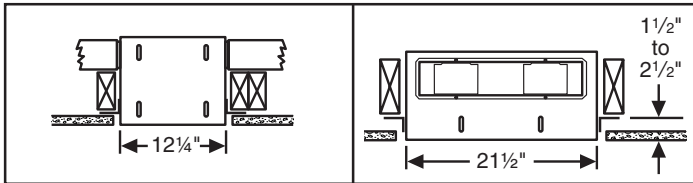
MOUNTING OPTIONS

¼-20 hex nuts secure mounting brackets to housing. Loosen and re-tighten or remove and replace nuts as necessary for desired mounting bracket position.



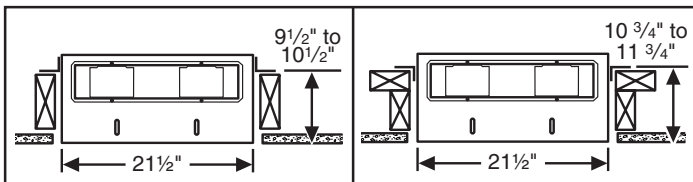
Mounting brackets in factory-shipped position. (Outlet parallel to joists.) (New construction)

Mounting brackets flipped over and mounted to outlet sides of housing. (Outlet parallel to joists.) (Existing construction)



Mounting brackets mounted to outlet sides of housing. (Outlet perpendicular to joists.) (New construction)

Mounting brackets flipped over to give approx. 1" more clearance. (Outlet parallel to joists.) (New construction)

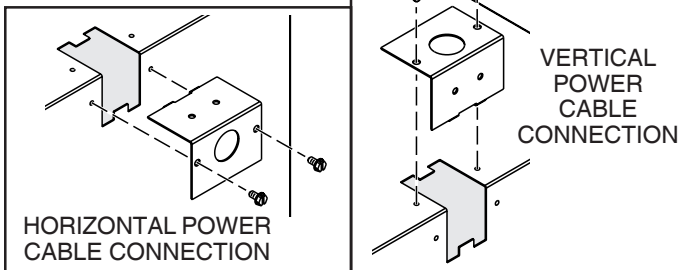


Mounting brackets mounted to top of sides of housing. (Outlet parallel to joists.) (New or existing construction)

Mounting brackets flipped over and mounted to top of sides of housing. (Outlet parallel to joists.) (New or existing construction)

WIRING OPTIONS

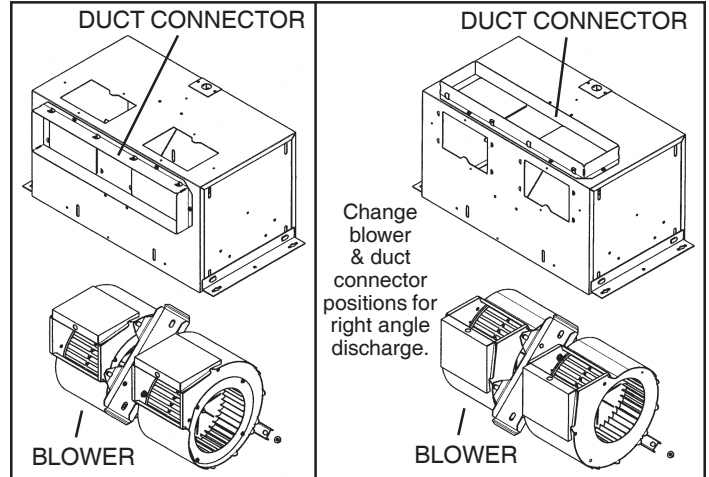
WIRING PLATE POSITION



Wiring plate mounts to side or top of housing.

DUCTING OPTIONS

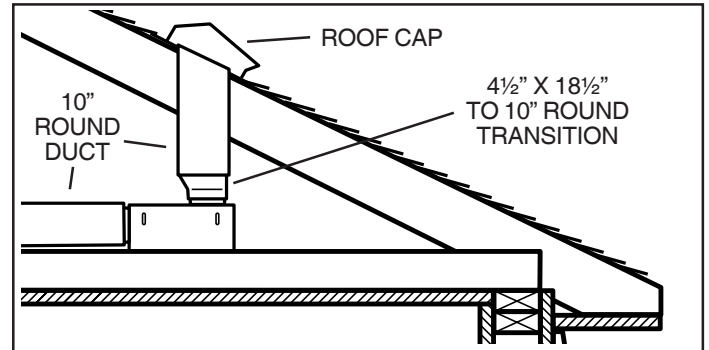
BLOWER DISCHARGE POSITIONS



Blower and duct connector in straight-through discharge position. (Factory shipped)

Blower and duct connector in right angle discharge position.

DUCTING (Right angle blower discharge)



Typical ductwork connection to a ventilator converted to right angle discharge.

USE AND CARE

Ventilator is designed for continuous operation. If desired, it may be controlled using an on/off switch or a solid-state, variable speed control. Follow wiring instructions packed with control, and adhere to all local and state codes, and the National Electrical Code.



WARNING: To reduce the risk of electric shock, disconnect from power supply before servicing.

To clean blower assembly: Remove access panel, unplug blower from housing, remove blower mounting nuts, and carefully remove blower from housing. Use appropriate vacuum attachment or a soft cloth and mild soap or detergent to clean blower discharge area and wheel. **DO NOT ALLOW WATER TO ENTER MOTOR.** Make sure blower assembly is completely dry before reinstalling.

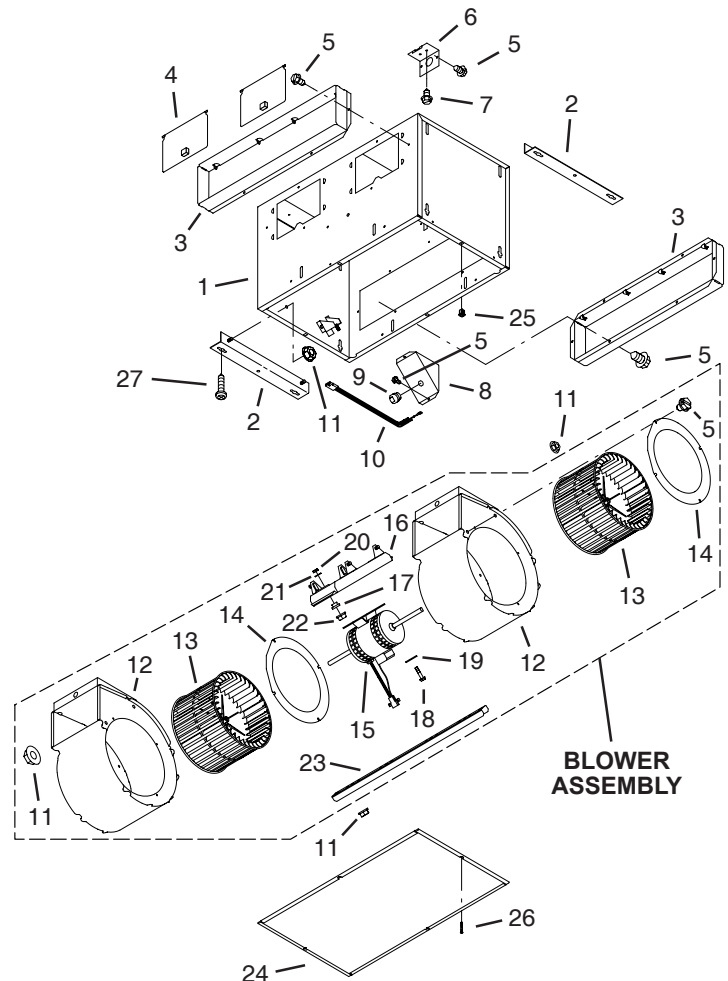
Motor is permanently lubricated. Do not oil or disassemble motor.

SERVICE PARTS

KEY NO.	PART NO.	DESCRIPTION
1	97014744	Housing Assembly
2	97014728	Mounting Bracket (2 req.)
3	98009449	Duct Connector (2 req.)
4	97014822	Damper Flap Assembly (2 req.)
5	99150415	Screw, 8-18 x 1/4 (18 req.)*
6	98005512	Wiring Plate
7	99150471	Ground Screw, 10-32 x 1/2 (2 req.)
8	98005513	Wire Box Cover
9	99400035	Strain Relief Bushing
10	97006039	Wire Harness
11	99260477	Nut, 1/4-20 (12 req.)*
12	97014745	Scroll Assembly (2 req.)
13	99110805	Blower Wheel, (2 req.)
14	98009399	Inlet Ring (2 req.)
15	99080486	Motor (FFC400)
	99080487	Motor (FFC500)
	99080488	Motor (FFC700)
16	97014794	Motor Mounting Bracket
17	99100497	Rubber Isolator (4 req.)
18	99160380	Screw, 10-24 x 7/8 (4 req.)*
19	99250399	Washer (4 req.)*
20	99260306	Nut, Hex 10-24 (4 req.)*
21	99250254	Washer (4 req.)*
22	93260456	Nut, Hex Flange 3/8-16
23	98009461	Scroll Mounting Channel
---	-----	Blower Assembly, Complete (Includes Key Nos. 5 & 11-23)
	97014817	(FFC400)
	97014819	(FFC500)
	97014821	(FFC700)
24	98009464	Access Panel
25	99420470	Access Panel Nut (4 req.)
26	99150472	Access Panel Mounting Screw (4 req.)
27	99150591	Screw, 10-16 x 7/8 (4 req.)

Order replacement parts by PART NO. - not by KEY NO.
* Standard hardware - may be purchased locally.

SERVICE PARTS



WARRANTY

ONE YEAR LIMITED WARRANTY

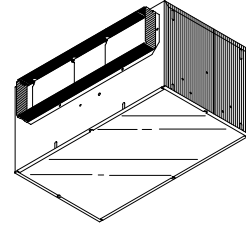
Soler & Palau Breidert Air Products JencoFan, warrants all products to be free from defects in material or workmanship for a period of one year from date of shipment. If it appears within one year from date of shipment by the Company to the original purchaser that any such ventilator or the material used therein does not meet the warranties specified above and the purchaser notifies the Company promptly, the Company agrees to remedy any such defect, at the company's option.

This warranty shall not apply to any equipment which has been repaired or altered in any way so as, in the company's judgement, to affect its performance or reliability, nor which has been improperly installed or subjected to misuse, negligence, or accident. Neither shall this warranty apply to labor to remove or install defective parts, profits lost due to failure of the ventilator or electric motors or belts. Electric motors, however, carry the warranty of the motor manufacturer.

This warranty is expressly in lieu of all other warranties expressed or implied, and of all other obligations or liabilities on the company's part. The company neither assumes, nor authorizes any representative or other persons to assume for it, any other liability in connection with the sale of its equipment.

Soler & Palau
Breidert Air Products
JencoFan
6393 Powers Ave
Jacksonville, FL 32217

VENTILATEURS DANS LIGNE • 120V



LIRE ET CONSERVER CES INSTRUCTIONS

AVERTISSEMENT

POUR RÉDUIRE LE RISQUE D'INCENDIE, DE CHOC ÉLECTRIQUE OU DE BLESSURES PERSONNELLES, OBSERVEZ CE QUI SUIT:

1. Utilisez cette unité seulement de la façon prévue par le fabricant. Pour d'autres renseignements, contactez le fabricant à l'adresse ou au numéro de téléphone qui se trouve dans la garantie.
2. Avant d'effectuer une réparation ou un entretien sur cet appareil, coupez le courant au tableau d'alimentation et verrouillez celui-ci pour empêcher que la tension soit remise accidentellement. Lorsque le verrouillage de la déconnexion n'est pas possible, mettez bien en vue un signal d'avertissement telle qu'une étiquette, sur le panneau d'alimentation.
3. L'installation et la pose des fils électriques doivent être effectuées par une ou des personnes qualifiées conformément à tous les codes et normes applicables, incluant les normes de construction en rapport aux incendies.
4. Il faut suffisamment d'air pour une combustion appropriée et l'échappement des gaz par le tuyau de la cheminée de l'équipement brûlant du combustible pour prévenir un contre-courant. Suivez les instructions du fabricant de l'équipement de chauffage et les normes de sécurité telles que celles publiées par la National Fire Protection Association (NFPA) et l'American Society for Heating, Refrigeration and Air Conditioning Engineers (ASHRAE) et des autorités du code local.
5. Lors de la coupe ou du perçage dans un mur ou un plafond, prenez soin de ne pas endommager les fils électriques et les autres utilités dissimulées.
6. La décharge des ventilateurs à conduit par l'évent doit toujours se faire à l'extérieur.
7. Pour réduire le risque d'incendie, utilisez seulement des conduits de ventilation en métal.
8. Si cette unité doit être installée au-dessus d'une baignoire ou d'une douche, elle doit être marquée comme étant appropriée pour l'application et être connectée à un circuit dérivé protégé GFCI (interrupteur de circuit en cas de défaut de mise à la terre du neutre).
9. Ne placez jamais un interrupteur dans un endroit où il peut être rejoint d'une baignoire ou d'une douche.
10. Cette unité doit être mise à la terre.

ATTENTION

1. Pour ventilation générale seulement. Ne l'utilisez pas pour évacuer les vapeurs ou matériaux dangereux ou que peuvent exploser.
2. Pour éviter d'endommager les coussinets du moteur et des turbines bruyantes et/ou mal équilibrées, assurez que l'unité motrice est exempte de poussière provenant des murs en pierres sèches et la construction.
3. **Si le ventilateur est installé dans un endroit non conditionné (tel qu'un grenier):** Entourez le ventilateur d'un isolant thermique afin de réduire toute condensation éventuelle.
4. Veuillez lire l'étiquette de spécifications sur le produit pour d'autres renseignements et exigences.

TABLE DES MATIÈRES

Ce manuel se divise comme suit :

• INSTALLATION TYPIQUE

Cette section montre une installation standard dans un bâtiment en cours de construction ou déjà construit.

- Montage (construction en cours)
- Montage (construction terminée)
- Câblage
- Installation des conduits (décharge de soufflerie dans ligne)

• OPTIONS DE MONTAGE

• OPTIONS DE CÂBLAGE

- Position de la plaque de câblage

• OPTIONS D'INSTALLATION DES CONDUITS

- Positions de la décharge de la soufflerie
- Installation des conduits (décharge de soufflerie droit angle)

• UTILISATION ET ENTRETIEN

• PIÈCES DE RECHANGE

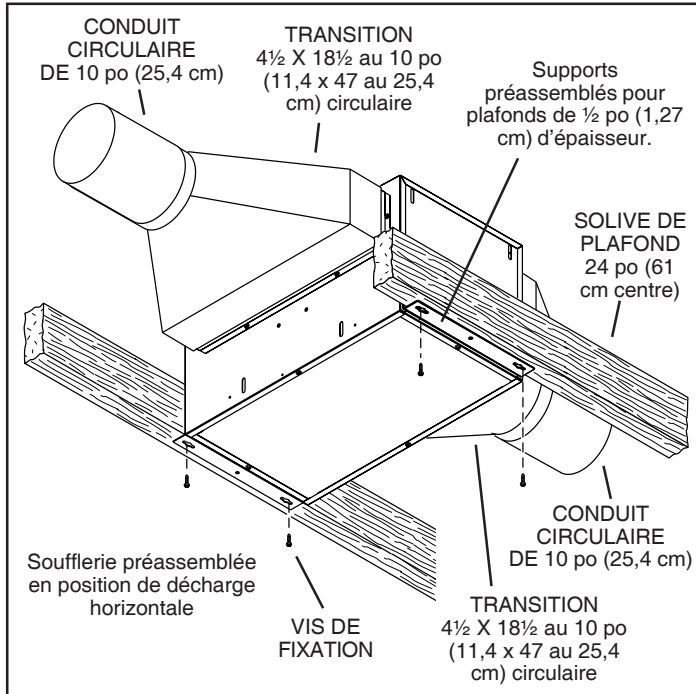
• GARANTIE

Installateur: Remettez ce manuel au propriétaire de maison.

Propriétaire de maison: Mode d'utilisation et soin à la page 7.

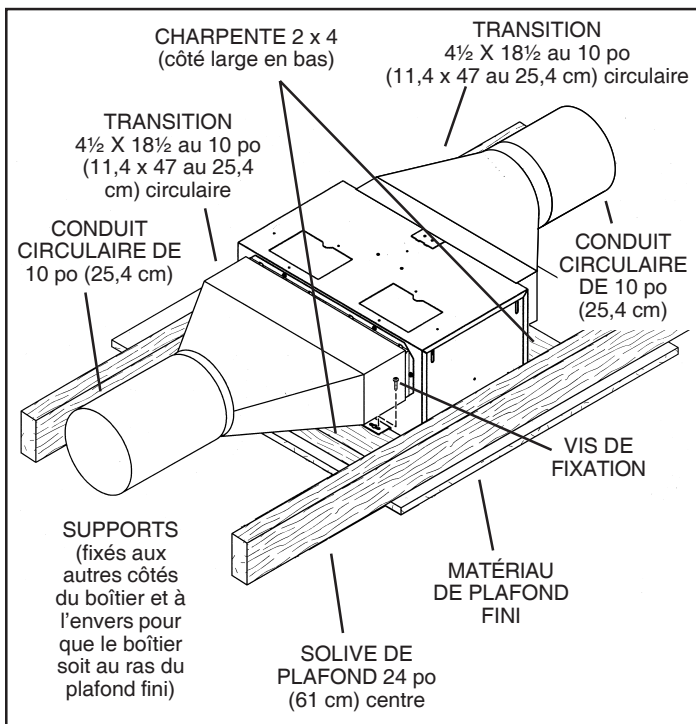
INSTALLATION TYPIQUE

MONTAGE (Construction en cours)



Appareil installé dans un bâtiment en cours de construction.

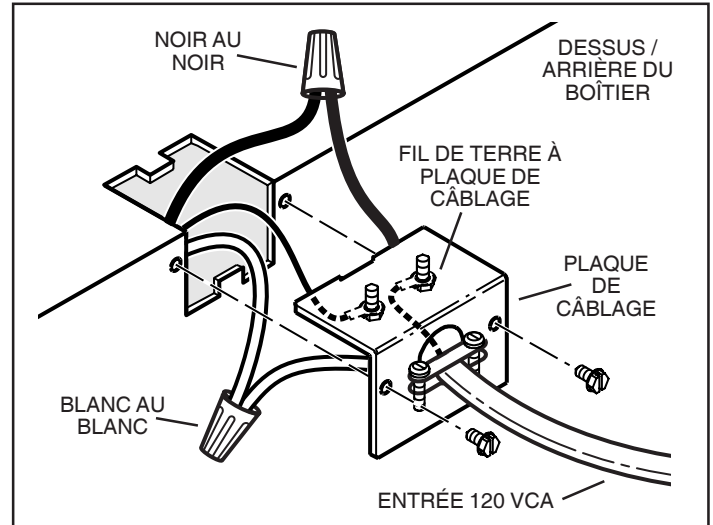
MONTAGE (construction terminée)



Appareil installé dans un bâtiment déjà construit.

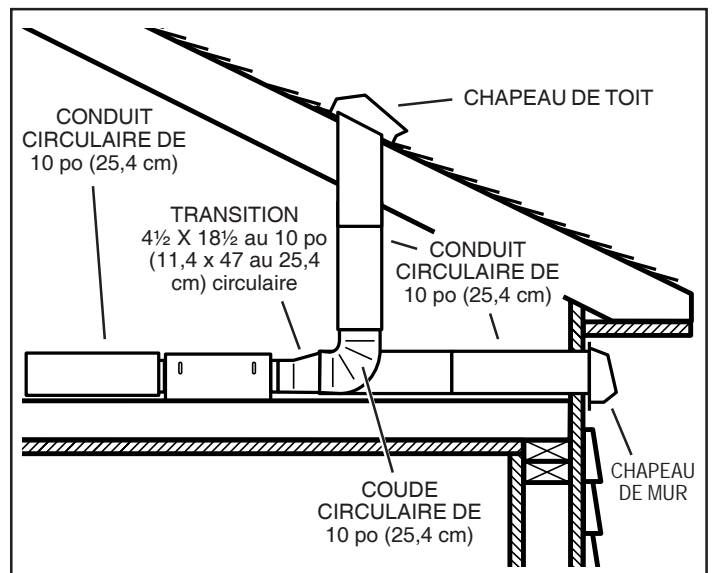
INSTALLATION TYPIQUE

CÂBLAGE



Le ventilateur peut être branché depuis l'extérieur du boîtier. Utiliser des connecteurs homologués UL pour les branchements, conformément aux codes locaux en vigueur.

INSTALLATION DES CONDUITS (décharge de soufflerie dans ligne)

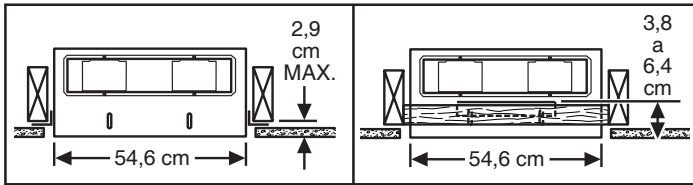


Deux manières de raccorder les conduits à un appareil prémonté.

REMARQUE : Veiller à retirer le ruban adhésif d'expédition du volet du registre et s'assurer que ce dernier s'ouvre et se ferme librement à l'intérieur du conduit. Utiliser du ruban adhésif pour assurer et étancher les raccords des conduits.

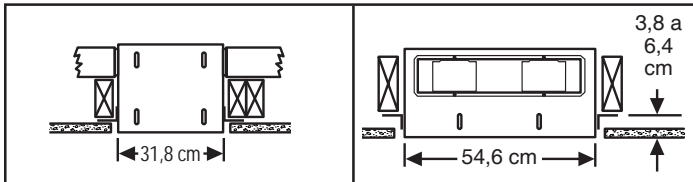
OPTIONS DE MONTAGE

Des écrous à six pans 1/4-20 fixent les supports au boîtier. Desserrer et resserrer ou retirer et replacer les écrous si nécessaire, selon la position désirée pour le support.



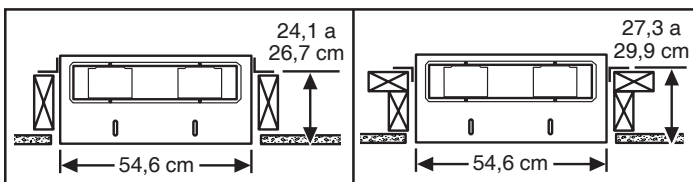
Supports en position préassemblée
 (Sortie parallèle aux solives)
 (Bâtiment en cours de construction)

Supports retournés et fixés de part et d'autre de la sortie du boîtier
 (Sortie perpendiculaire aux solives)
 (Bâtiment déjà construit)



Supports fixés de part et d'autre de la sortie du boîtier
 (Sortie perpendiculaire aux solives)
 (Bâtiment en cours de construction)

Supports retournés pour donner environ 1 po de dégagement supplémentaire
 (Sortie perpendiculaire aux solives)
 (Bâtiment en cours de construction)

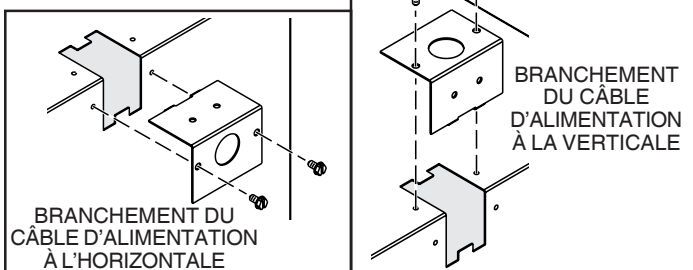


Supports fixés sur le dessus, de part et d'autre du boîtier
 (Sortie parallèle aux solives)
 (Bâtiment en cours de construction ou déjà construit)

Supports retournés et fixés sur le dessus, de part et d'autre du boîtier
 (Sortie parallèle aux solives)
 (Bâtiment en cours de construction ou déjà construit)

OPTIONS DE CÂBLAGE

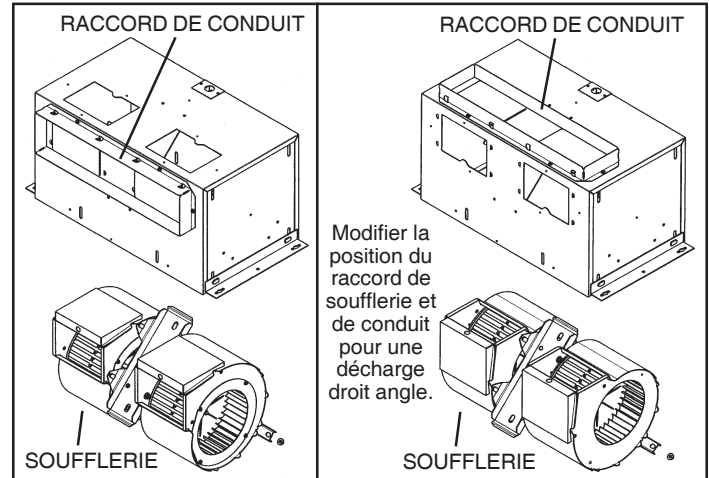
POSITION DE LA PLAQUE DE CÂBLAGE



La plaque de câblage se fixe sur le côté ou sur le dessus du boîtier.

OPTIONS D'INSTALLATION DES CONDUITS

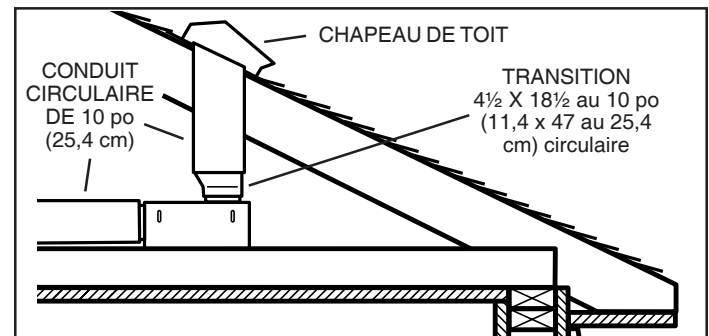
POSITIONS DE LA DÉCHARGE DE LA SOUFFLERIE



Raccord de soufflerie et de conduit en position de décharge dans ligne (préassemblée)

Raccord de soufflerie et de conduit en position de décharge droit angle

INSTALLATION DES CONDUITS (décharge de soufflerie droit angle)



Raccordement de conduit typique à un ventilateur converti en décharge droit angle.

UTILISATION ET ENTRETIEN

Le ventilateur a été conçu pour une utilisation continue. Si désiré, il peut être commandé à l'aide d'un interrupteur marche/arrêt ou d'un régulateur de vitesse à semi-conducteurs. Suivre les instructions de câblage fournies avec le régulateur et respecter tous les codes locaux et provinciaux en vigueur, de même que le Code national de l'électricité.



AVERTISSEMENT : Pour diminuer les risques de décharge électrique, débrancher la source d'alimentation avant toute opération d'entretien.

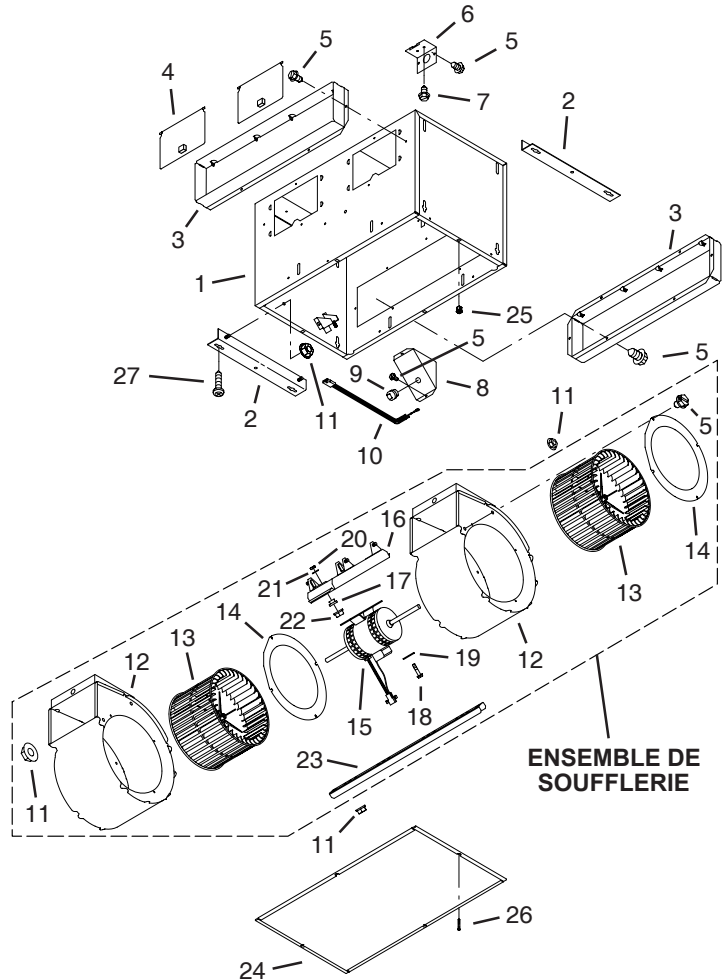
Pour nettoyer la soufflerie : Retirer la panneau d'accès, débrancher la soufflerie du boîtier, retirer les écrous de fixation de la soufflerie et retirer délicatement la soufflerie du boîtier. Utiliser un accessoire d'aspirateur approprié ou retirer la grille et nettoyer à l'aide d'un chiffon doux et de savon ou de détergent doux pour nettoyer la zone de décharge de la soufflerie et la roue. **NE PAS LAISSER D'EAU S'INFILTRER DANS LE MOTEUR.** S'assurer que la soufflerie est complètement sèche avant de la réinstaller.

Le moteur est lubrifié en permanence. Ne pas lubrifier ou démonter le moteur.

PIÈCES DE RECHANGE

PIÈCES DE RECHANGE

LÉGENDE	N° DE RÉF.	DESCRIPTION
1	97014744	Boîtier
2	97014728	Support (2 oblig.)
3	98009449	Registre (2 oblig.)
4	97014822	Ensemble de clapet de registre (2 oblig.)
5	99150415	Vis, 8-18 x ¼ (18 oblig.)*
6	98005512	Plaque de câblage
7	99150471	Vis de terre, 10-32 x ½ (2 oblig.)
8	98005513	Couvercle de la boîte de câblage
9	99400035	Réducteur de tension
10	97006039	Harnais à fils
11	99260477	Écrou, ¼-20 (12 oblig.)*
12	97014745	Volute (12 oblig.)
13	99110805	Roue de soufflerie (2 oblig.)
14	98009399	Bague d'arrivée (2 oblig.)
15	99080486	Moteur (FFC400)
	99080487	Moteur (FFC500)
	99080488	Moteur (FFC700)
16	97014794	Support de montage de moteur
17	99100497	Isolant de caoutchouc (4 oblig.)
18	99160380	Vis, 10-24 x 7/8 (4 oblig.)*
19	99250399	Rondelle (4 oblig.)*
20	99260306	Écrou, Hex 10-24 (4 oblig.)*
21	99250254	Rondelle (4 oblig.)*
22	93260456	Écrou, Hex Flange 3/8-16
23	98009461	Barre de montage de volute
---	-----	Soufflerie, ensemble (inclut n° lég. 5 et 11 à 23)
	97014817	(FFC400)
	97014819	(FFC500)
	97014821	(FFC700)
24	98009464	Panneau d'access
25	99420470	Écrou de panneau de access (4 oblig.)
26	99150472	Vis de fixation de panneau de access (4 oblig.)
27	99150591	Vis, 10-16 x 7/8 (4 oblig.)



Commander les pièces de rechange par numéro de référence et non à l'aide du numéro de légende.

* Visserie standard - peut être achetée localement.

GARANTIE

GARANTIE LIMITÉE D'UN AN

Soler & Palau Breidert Air Products JencoFan garantit ses produits contre tout défaut de matériau ou de fabrication pendant une année, à compter de la date d'expédition. S'il s'avère, moins d'un an après que la société ait expédié le produit à l'acheteur initial, que le ventilateur ou les matériaux qui le composent ne respectent pas les garanties stipulées ci-haut, dans la mesure où l'acheteur en a promptement avisé la société, celle-ci s'engage à corriger lesdites déficiences, à sa seule option, en réparant toute pièce défectueuse ou en fournissant à l'usine de la société une pièce réparée ou de rechange.

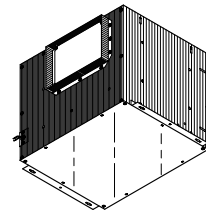
La présente garantie ne s'applique à aucun équipement qui aura été modifié ou réparé de telle sorte, selon l'opinion de la société, à affecter ses performances ou sa fiabilité, ou qui aura été mal installé ou fait l'objet d'une mauvaise utilisation, d'une négligence ou d'un accident. Cette garantie ne couvre ni la main-d'oeuvre nécessaire pour le démontage ou l'installation de pièces, ni les pertes de profit attribuables à une défaillance du ventilateur, des moteurs électriques ou des courroies. Les moteurs électriques sont toutefois couverts par la garantie de leur fabricant.

Les pièces défectueuses doivent être renvoyées à la société avant l'émission d'aucun crédit. Ces pièces doivent être retournées tous frais de port payés. Les expéditions en port dû ou contre remboursement seront refusées.

Cette garantie remplace formellement toute autre garantie expresse ou tacite, ainsi que toute autre obligation ou responsabilité de la part de la société. Celle-ci n'assume aucune autre responsabilité relative à la vente de ses équipements et n'autorise aucun de ses représentants ou quiconque à l'assumer en son nom.

Soler & Palau
 Breidert Air Products
 JencoFan
 6393 Powers Ave
 Jacksonville, FL 32217

IN-LINE VENTILATORS • 120V



READ AND SAVE THESE INSTRUCTIONS

WARNING

TO REDUCE THE RISK OF FIRE, ELECTRIC SHOCK, OR INJURY TO PERSONS, OBSERVE THE FOLLOWING:

1. Use this unit only in the manner intended by the manufacturer. If you have questions, contact the manufacturer at the address or telephone number listed in the warranty.
2. Before servicing or cleaning unit, switch power off at service panel and lock the service disconnecting means to prevent power from being switched on accidentally. When the service disconnecting means cannot be locked, securely fasten a prominent warning device, such as a tag, to the service panel.
3. Installation work and electrical wiring must be done by a qualified person(s) in accordance with all applicable codes and standards, including fire-rated construction codes and standards.
4. Sufficient air is needed for proper combustion and exhausting of gases through the flue (chimney) of fuel burning equipment to prevent backdrafting. Follow the heating equipment manufacturer's guideline and safety standards such as those published by the National Fire Protection Association (NFPA), and the American Society for Heating, Refrigeration and Air Conditioning Engineers (ASHRAE), and the local code authorities.
5. When cutting or drilling into wall or ceiling, do not damage electrical wiring and other hidden utilities.
6. Ducted fans must always be vented to the outdoors.
7. To reduce the risk of fire, use only metal ductwork.
8. If this unit is to be installed over a tub or shower, it must be marked as appropriate for the application and be connected to a GFCI (Ground Fault Interrupter) - protected branch circuit.
9. Never place a switch where it can be reached from a tub or shower.
10. This unit must be grounded.

CAUTION

1. For general ventilating use only. Do not use to exhaust hazardous or explosive materials and vapors.
2. To avoid motor bearing damage and noisy and/or unbalanced impellers, keep drywall spray, construction dust, etc. off power unit.
3. **If ventilator is installed in an unconditioned space (such as an attic):** Surround the ventilator with thermal insulation - to minimize possible condensation.
4. Please read specification label on product for further information and requirements.

TABLE OF CONTENTS

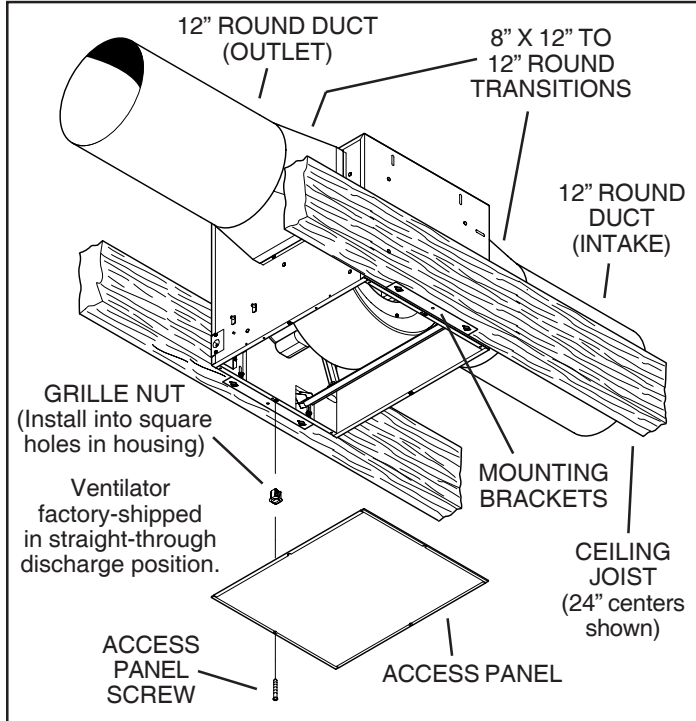
This manual is divided into sections as follows:

- **“TYPICAL INSTALLATION”**
This section shows a common installation in new and existing, frame construction.
 - Mounting (new construction)
 - Mounting (existing construction)
 - Wiring
 - Ducting (straight-through blower discharge)
- **“MOUNTING OPTIONS”**
- **“WIRING OPTIONS”**
 - Wiring Plate Position
- **“DUCTING OPTIONS”**
 - Blower Discharge Positions
 - Ducting (right-angle blower discharge)
- **“USE AND CARE”**
- **“SERVICE PARTS”**
- **“WARRANTY”**

**Installer: Leave this manual with the homeowner.
Homeowner: Use and Care information on page 3.**

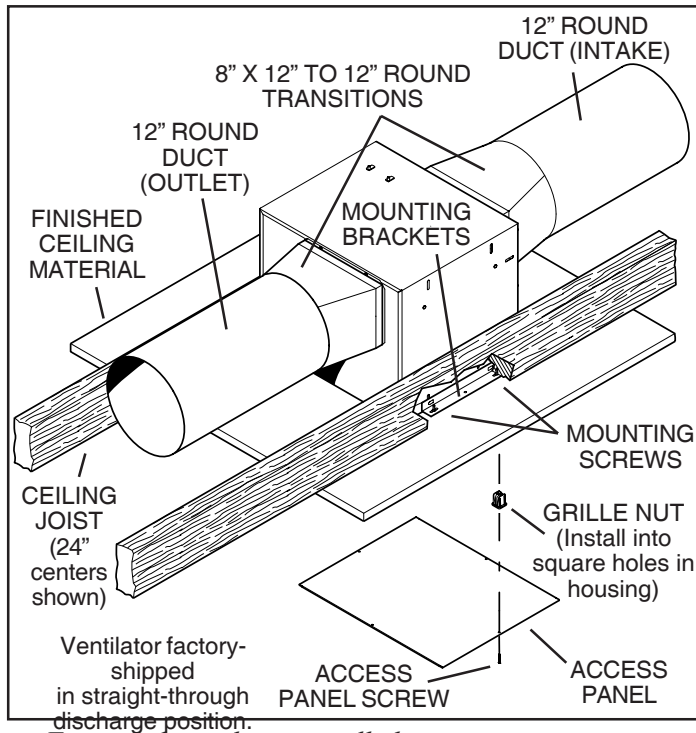
TYPICAL INSTALLATION

MOUNTING (New Frame Construction)



Factory-shipped unit installed in new construction.

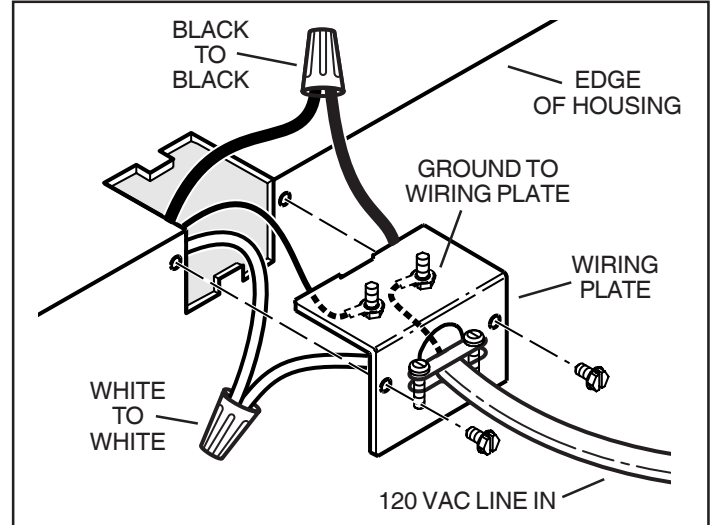
MOUNTING (Existing Frame Construction)



Factory-shipped unit installed in existing construction.

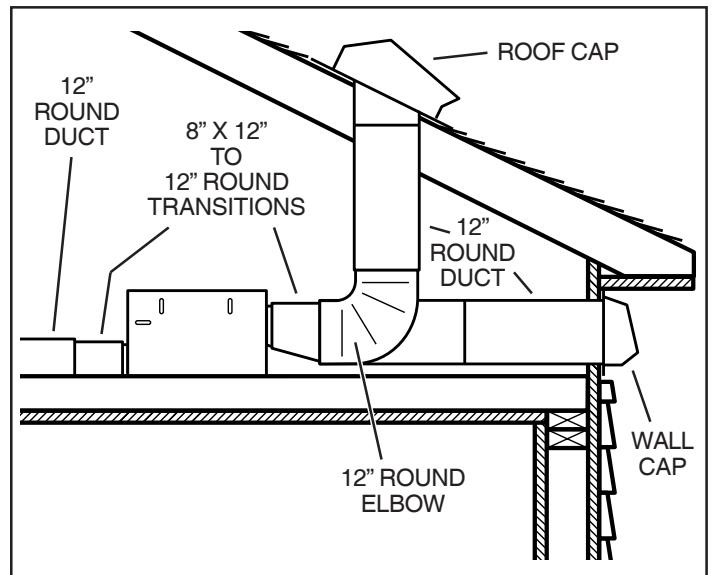
TYPICAL INSTALLATION

WIRING



Ventilator can be wired from outside of housing.
 Use UL approved connectors to wire per local codes.

DUCTING (Straight-through blower discharge)



Two ways to connect ductwork to a factory-shipped unit.

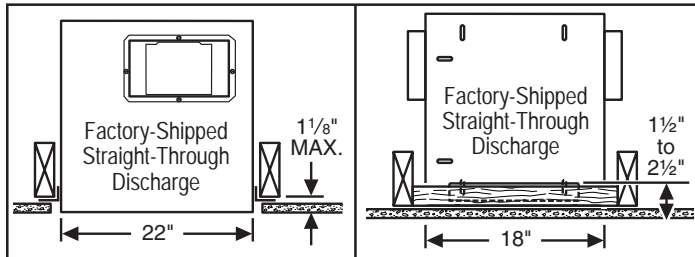
IMPORTANT:

Remove shipping tape from damper

Remove the shipping tape from the damper flap and make sure that damper flap opens and closes freely inside the ductwork. Use duct tape to make ductwork connections secure and air-tight.

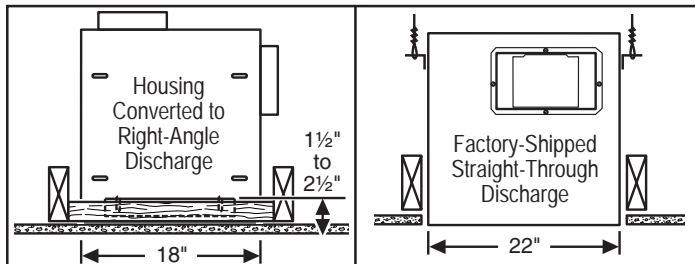
MOUNTING OPTIONS

¼-20 hex nuts secure mounting brackets to housing. Loosen and re-tighten or remove and replace nuts as necessary for desired mounting bracket position.



Mounting brackets in factory-shipped position - mounted directly to joists. (Outlet parallel to joists.) (New construction)

Mounting brackets flipped over and mounted to additional framing. (Outlet perpendicular to joists.) (New or Existing construction)

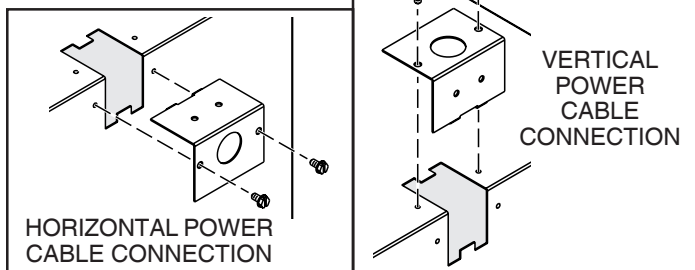


Mounting brackets flipped over and mounted to additional framing. (Outlet vertical.) (New or Existing construction)

Mounting brackets flipped over and mounted to top of housing. Housing secured with cables. (Outlet parallel to joists.) (New or Existing construction)

WIRING OPTIONS

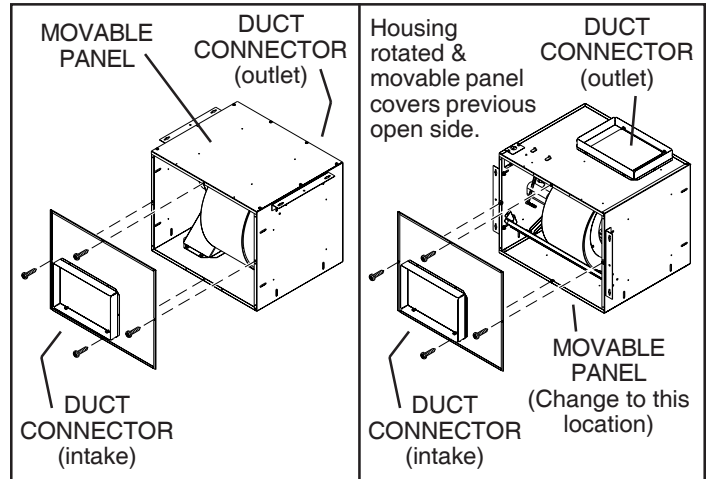
WIRING PLATE POSITION



Wiring plate mounts to side or top of housing.

DUCTING OPTIONS

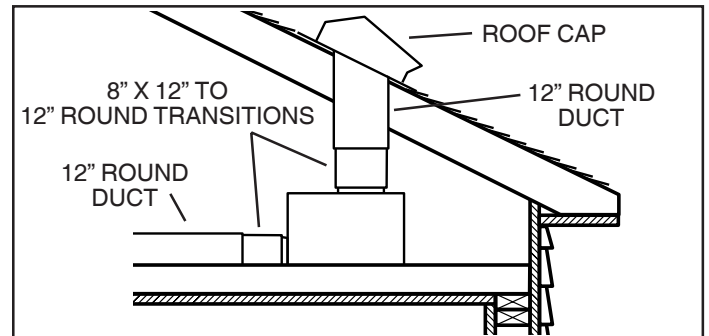
BLOWER DISCHARGE POSITIONS



Ventilator shown in straight-through discharge position. (Factory shipped)

Ventilator shown in right-angle discharge position. (Change movable panel to new location as shown.)

DUCTING (Vertical blower discharge)



Typical ductwork connection to a ventilator converted to right-angle discharge.

USE AND CARE

Ventilator is designed for continuous operation. If desired, it may be controlled using an on/off switch or a solid-state, variable speed control. Follow wiring instructions packed with control, and adhere to all local and state codes, and the National Electrical Code.



WARNING: To reduce the risk of electric shock, disconnect from power supply before servicing.

To clean blower assembly: Remove access panel, unplug blower from housing, remove blower mounting nuts, and carefully remove blower from housing. Use appropriate vacuum attachment or a soft cloth and mild soap or detergent to clean blower discharge area and wheel. **DO NOT ALLOW WATER TO ENTER MOTOR.** Make sure blower assembly is completely dry before reinstalling.

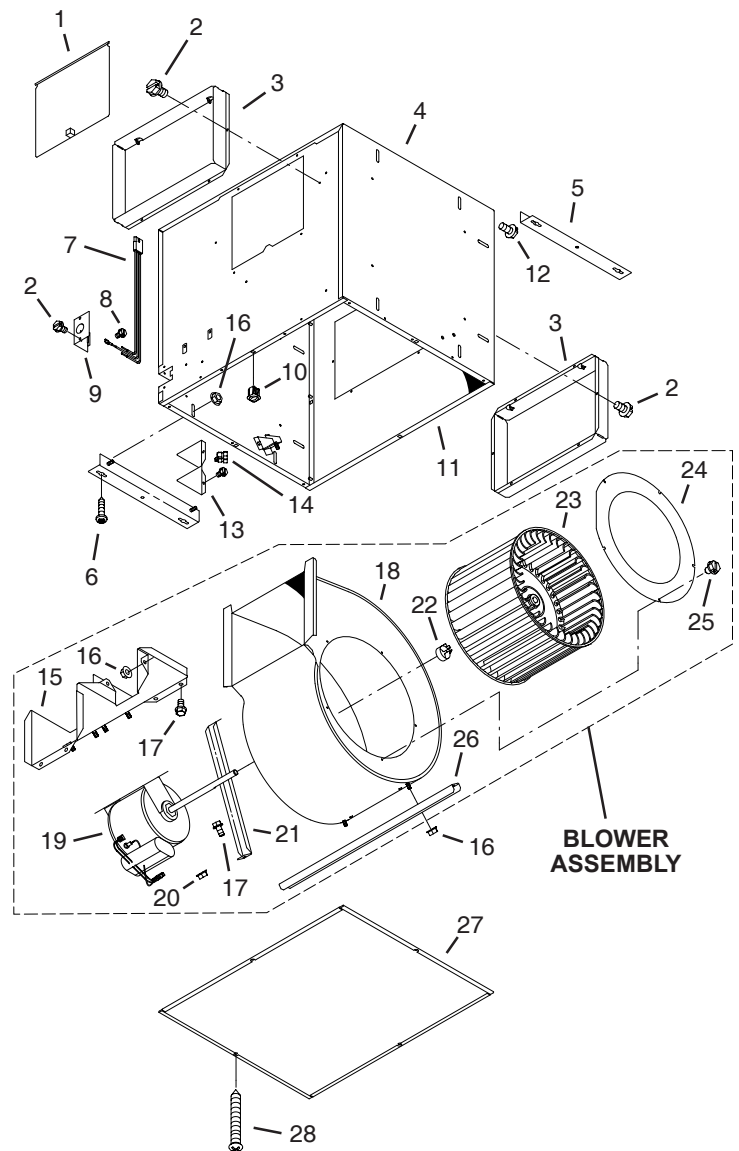
Motor is permanently lubricated. Do not oil or disassemble motor.

SERVICE PARTS

KEY NO.	PART NO.	DESCRIPTION
1	97014853	Damper Flap
2	99150415	Screw, #8B x 1/4" (16 req.)
3	98009520	Duct Connector (2 req.)
4	97014784	Housing Assembly
5	97014728	Mounting Bracket (2 req.)
6	99150591	Mounting Screw, #10-12 x .625 (4 req.)
7	97006142	Wiring Harness
8	99150471	Ground Screw, #10-32 x 1/2" (2 req.)
9	98005512	Wiring Adapter Plate
10	99420470	Access Panel Nut (4 req.)
11	98009531	Movable Housing Panel
12	93150487	Screw, #10-24 x .375" (8 req.)
13	98005513	Outlet Box Cover
14	99400035	Strain Relief Bushing
15	97014788	Motor Bracket
16	99260477	Whiz Nut, 1/4"-20* (11 req.)
17	99200202	Screw, 1/4"-20 x 1/2" (5 req.)
18	97014785	Blower Scroll
19	99080490	Motor (FFC900)
	99080491	Motor (FFC1500)
20	93260447	Nut, Hex Flange 5/16-18* (5 req.)
21	98009516	Support Bracket
22	99680019	Wheel Clamp
23	99020274	Blower Wheel (Includes Key No. 22)
24	98009514	Inlet Ring
25	99150417	Screw, #8-18 x 1/4" (5 req.)
26	98009513	Scroll Support Channel
+	97014848	Blower Assembly Complete (FFC900) (Includes Key Nos. 15 thru 26)
+	97014849	Blower Assembly Complete (FFC1500) (Includes Key Nos. 15 thru 26)
27	98009532	Access Cover
28	99150472	Access Cover Screw (4 req.)

Order replacement parts by PART NO. - not by KEY NO.
 * Standard hardware - may be purchased locally.
 + Not shown assembled.

SERVICE PARTS



WARRANTY

ONE YEAR LIMITED WARRANTY

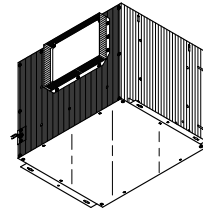
Soler & Palau Breidert Air Products JencoFan, warrants all products to be free from defects in material or workmanship for a period of one year from date of shipment. If it appears within one year from date of shipment by the Company to the original purchaser that any such ventilator or the material used therein does not meet the warranties specified above and the purchaser notifies the Company promptly, the Company agrees to remedy any such defect, at the company's option.

This warranty shall not apply to any equipment which has been repaired or altered in any way so as, in the company's judgement, to affect its performance or reliability, nor which has been improperly installed or subjected to misuse, negligence, or accident. Neither shall this warranty apply to labor to remove or install defective parts, profits lost due to failure of the ventilator or electric motors or belts. Electric motors, however, carry the warranty of the motor manufacturer.

This warranty is expressly in lieu of all other warranties expressed or implied, and of all other obligations or liabilities on the company's part. The company neither assumes, nor authorizes any representative or other persons to assume for it, any other liability in connection with the sale of its equipment.

Breidert Air Products
 JencoFan
 6393 Powers Ave
 Jacksonville, FL 32217

VENTILATEURS MONTAGE DANS LIGNE • 120V



LIRE ET CONSERVER CES INSTRUCTIONS

AVERTISSEMENT

POUR RÉDUIRE LE RISQUE D'INCENDIE, DE CHOC ÉLECTRIQUE OU DE BLESSURES PERSONNELLES, OBSERVEZ CE QUI SUIT:

1. Utilisez cette unité seulement de la façon prévue par le fabricant. Pour d'autres renseignements, contactez le fabricant à l'adresse ou au numéro de téléphone qui se trouve dans la garantie.
2. Avant d'effectuer une réparation ou un entretien sur cet appareil, coupez le courant au tableau d'alimentation et verrouillez celui-ci pour empêcher que la tension soit remise accidentellement. Lorsque le verrouillage de la déconnexion n'est pas possible, mettez bien en vue un signal d'avertissement telle qu'une étiquette, sur le panneau d'alimentation.
3. L'installation et la pose des fils électriques doivent être effectuées par une ou des personnes qualifiées conformément à tous les codes et normes applicables, incluant les normes de construction en rapport aux incendies.
4. Il faut suffisamment d'air pour une combustion appropriée et l'échappement des gaz par le tuyau de la cheminée de l'équipement brûlant du combustible pour prévenir un contre-courant. Suivez les instructions du fabricant de l'équipement de chauffage et les normes de sécurité telles que celles publiées par la National Fire Protection Association (NFPA) et l'American Society for Heating, Refrigeration and Air Conditioning Engineers (ASHRAE) et des autorités du code local.
5. Lors de la coupe ou du perçage dans un mur ou un plafond, prenez soin de ne pas endommager les fils électriques et les autres utilités dissimulées.
6. La décharge des ventilateurs à conduit par l'évent doit toujours se faire à l'extérieur.
7. Pour réduire le risque d'incendie, utilisez seulement des conduits de ventilation en métal.
8. Si cette unité doit être installée au-dessus d'une baignoire ou d'une douche, elle doit être marquée comme étant appropriée pour l'application et être connectée à un circuit dérivé protégé GFCI (interrupteur de circuit en cas de défaut de mise à la terre du neutre).
9. Ne placez jamais un interrupteur dans un endroit où il peut être rejoint d'une baignoire ou d'une douche.
10. Cette unité doit être mise à la terre.

ATTENTION

1. Pour ventilation générale seulement. Ne l'utilisez pas pour évacuer les vapeurs ou matériaux dangereux ou que peuvent exploser.
2. Pour éviter d'endommager les coussinets du moteur et des turbines bruyantes et/ou mal équilibrées, assurez que l'unité motrice est exempte de poussière provenant des murs en pierres sèches et la construction.
3. **Si le ventilateur est installé dans un endroit non conditionné (tel qu'un grenier):** Entourez le ventilateur d'un isolant thermique afin de réduire toute condensation éventuelle.
4. Veuillez lire l'étiquette de spécifications sur le produit pour d'autres renseignements et exigences.

Installateur: Remettez ce manuel au propriétaire de maison.

Propriétaire de maison: Mode d'utilisation et soin à la page 7.

TABLE DES MATIÈRES

Ce manuel se divise comme suit :

• INSTALLATION TYPIQUE

Cette section montre une installation standard dans un bâtiment en cours de construction ou déjà construit.

- Montage (construction en cours)
- Montage (construction terminée)
- Câblage
- Installation des conduits (décharge de soufflerie dans ligne)

• OPTIONS DE MONTAGE

• OPTIONS DE CÂBLAGE

- Position de la plaque de câblage

• OPTIONS D'INSTALLATION DES CONDUITS

- Positions de la décharge de la soufflerie
- Installation des conduits (décharge de soufflerie droit angle)

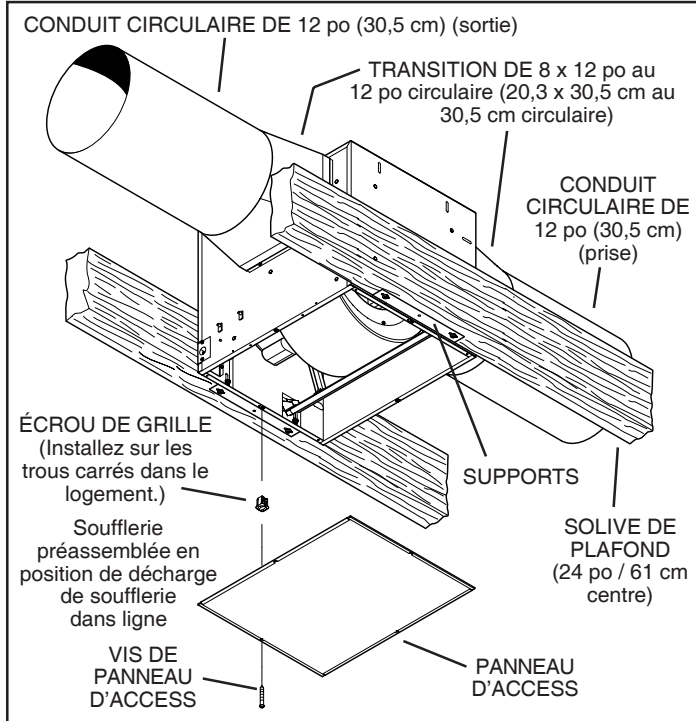
• UTILISATION ET ENTRETIEN

• PIÈCES DE RECHANGE

• GARANTIE

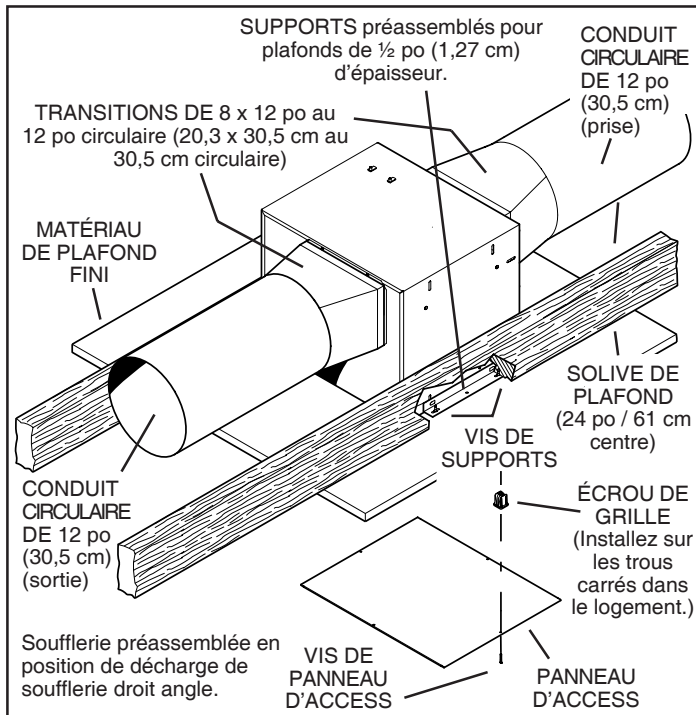
INSTALLATION TYPIQUE

MONTAGE (Construction en cours)



Appareil installé dans un bâtiment en cours de construction.

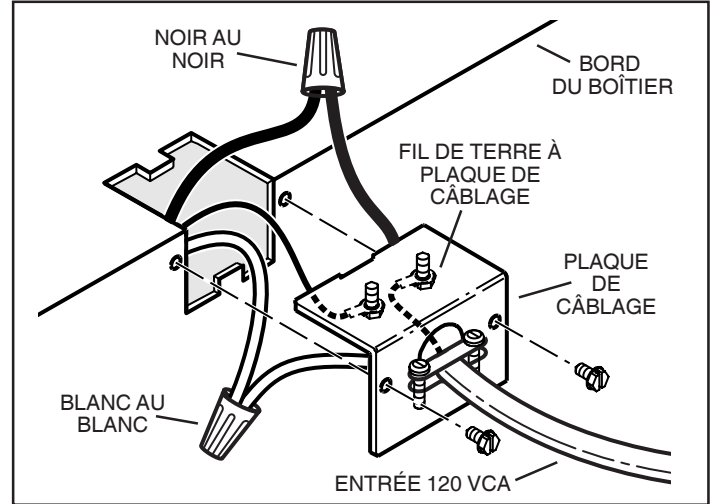
MONTAGE (construction terminée)



Appareil installé dans un bâtiment déjà construit.

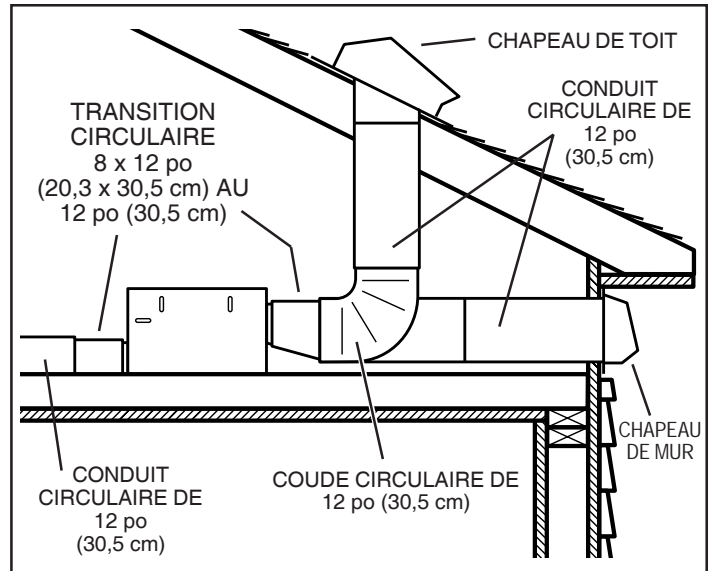
INSTALLATION TYPIQUE

CÂBLAGE



Le ventilateur peut être branché depuis l'extérieur du boîtier. Utiliser des connecteurs homologués UL pour les branchements, conformément aux codes locaux en vigueur.

INSTALLATION DES CONDUITS (décharge de soufflerie dans ligne)



Deux manières de raccorder les conduits à un appareil prémonté.

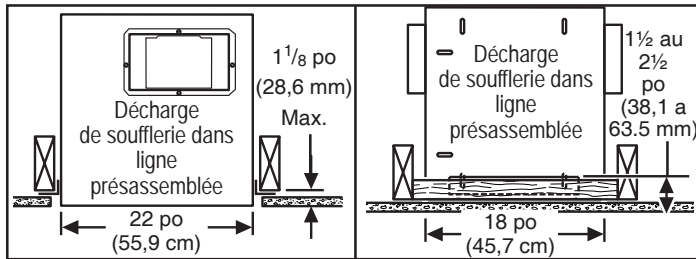
IMPORTANT:

Retirez la bande d'expédition de l'amortisseur.

Veiller à retirer le ruban adhésif d'expédition du volet du registre et s'assurer que ce dernier s'ouvre et se ferme librement à l'intérieur du conduit. Utiliser du ruban adhésif pour assurer et étancher les raccords des conduits.

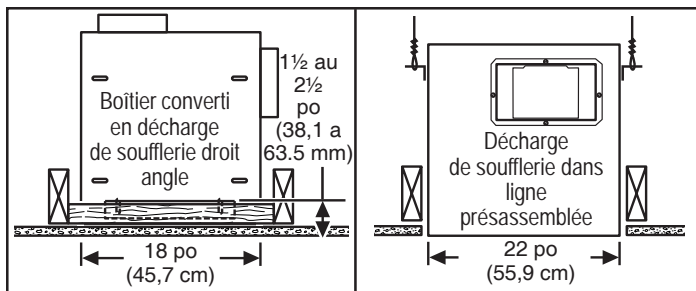
OPTIONS DE MONTAGE

Des écrous à six pans 1/4-20 fixent les supports au boîtier. Desserrer et resserrer ou retirer et replacer les écrous si nécessaire, selon la position désirée pour le support.



*Supports en position
préassemblée*
(Sortie parallèle aux solives)
(Bâtiment en cours de construction)

*Supports retournés et fixés à
un cadre supplémentaire.*
(Sortie perpendiculaire aux solives)
(Construction neuve ou existante)

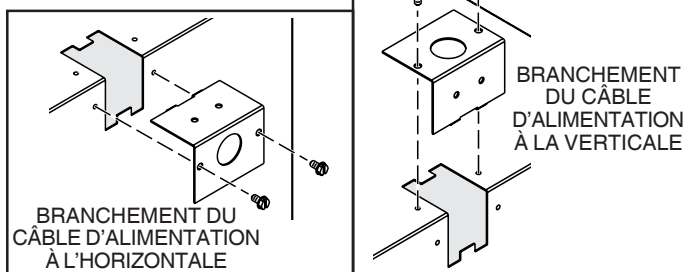


*Supports retournés et fixés à
un cadre supplémentaire.*
(Sortie droit angle.)
(Construction neuve ou existante)

*Supports retournés et fixés en
haut du boîtier. Boîtier
suspendu par des câbles.*
(Sortie parallèle aux solives)
(Construction neuve ou existante)

OPTIONS DE CÂBLAGE

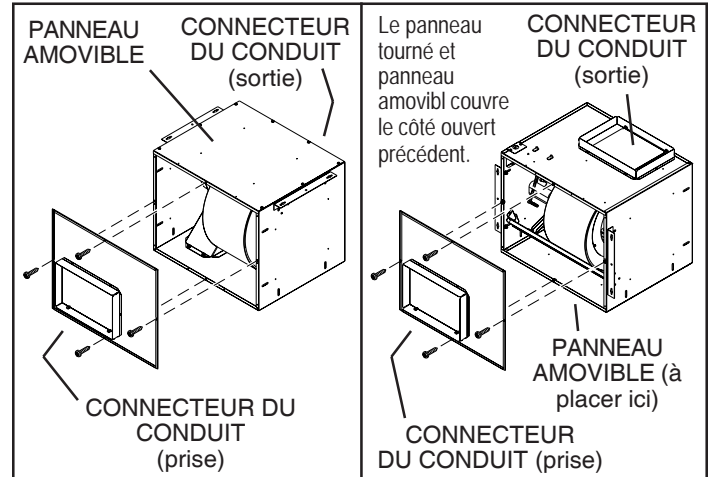
POSITION DE LA PLAQUE DE CÂBLAGE



La plaque de câblage se fixe sur le côté ou sur le dessus du boîtier.

OPTIONS D'INSTALLATION DES CONDUITS

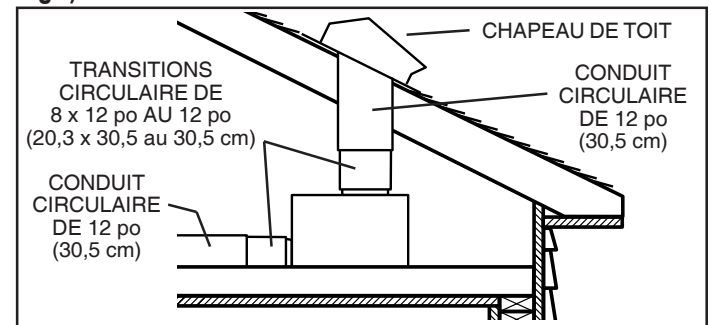
POSITIONS DE LA DÉCHARGE DE LA SOUFFLERIE



*Ventilateur illustré
en position de
décharge de soufflerie dans
ligne. (Préassemblé)*

*Ventilateur illustré en
position de décharge de
soufflerie droit angle. (Changer
la position du panneau amovible
tel qu'illustré.)*

INSTALLATION DES CONDUITS (décharge de soufflerie droit angle)



*Raccordement de conduit typique à un ventilateur converti en
décharge verticale*

UTILISATION ET ENTRETIEN

Le ventilateur a été conçu pour une utilisation continue. Si désiré, il peut être commandé à l'aide d'un interrupteur marche/arrêt ou d'un régulateur de vitesse à semi-conducteurs. Suivre les instructions de câblage fournies avec le régulateur et respecter tous les codes locaux et provinciaux en vigueur, de même que le Code national de l'électricité.



AVERTISSEMENT : Pour diminuer les risques de décharge électrique, débrancher la source d'alimentation avant toute opération d'entretien.

Pour nettoyer la soufflerie : Retirer la panneau d'accès, débrancher la soufflerie du boîtier, retirer les écrous de fixation de la soufflerie et retirer délicatement la soufflerie du boîtier. Utiliser un accessoire d'aspirateur approprié ou retirer la grille et nettoyer à l'aide d'un chiffon doux et de savon ou de détergent doux pour nettoyer la zone de décharge de la soufflerie et la roue. **NÉ PAS LAISSER D'EAU S'INFILTRER DANS LE MOTEUR.** S'assurer que la soufflerie est complètement sèche avant de la réinstaller.

Le moteur est lubrifié en permanence. Ne pas lubrifier ou démonter le moteur.

PIÈCES DE RECHANGE

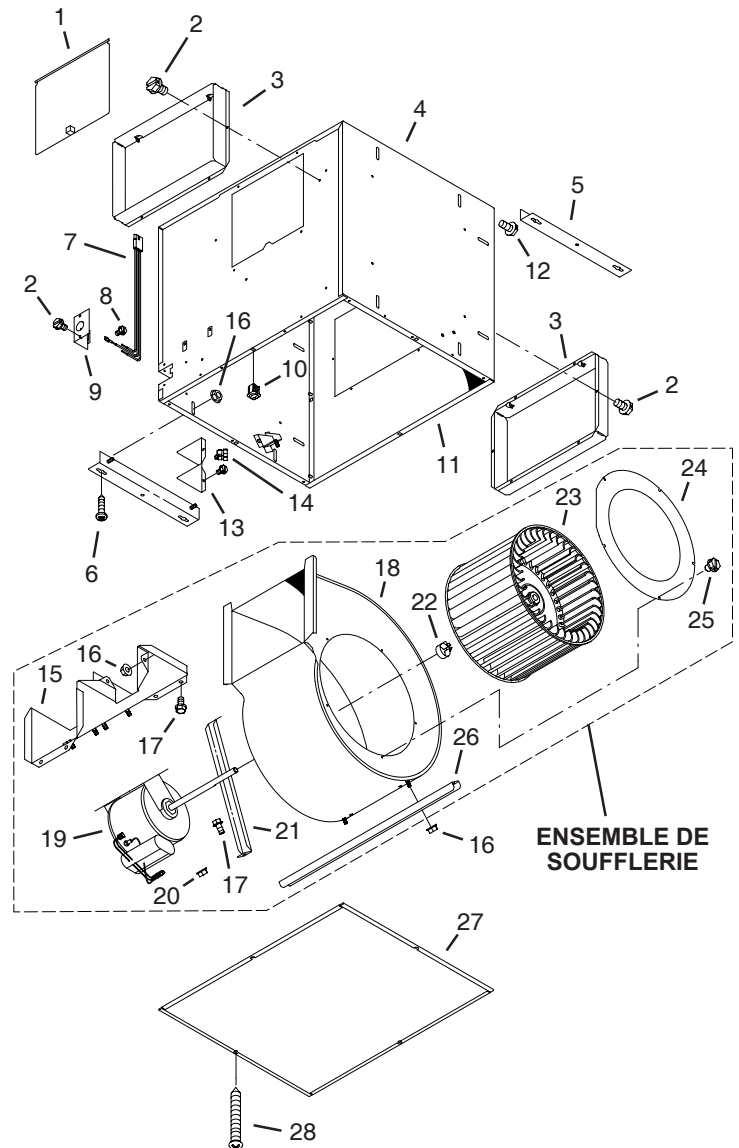
LÉGENDE	N° DE RÉF.	DESCRIPTION
1	97014853	Clapet
2	99150415	Vis, #8B x ¼* (16 oblig.)
3	98009520	Registre (2 oblig.)
4	97014784	Boîtier
5	97014728	Support (2 oblig.)
6	99150591	Vis, #10-12 x .625 (4 oblig.)
7	97006142	Harnais à fils
8	99150471	Vis de terre, 10-32 x ½* (2 oblig.)
9	98005512	Plaque de câblage
10	99420470	Écrou de panneau d'accès (4 oblig.)
11	98009531	Panneau amovible du boîtier
12	93150487	Vis, #10-24 x .375* (8 oblig.)
13	98005513	Couvercle de la boîte de câblage
14	99400035	Réducteur de tension
15	97014788	Support de moteur
16	99260477	Écrou, ¼-20* (11 oblig.)
17	99200202	Vis, ¼-20 x ½* (5 oblig.)
18	97014785	Volute
19	99080490	Moteur (FFC900)
	99080491	Moteur (FFC1500)
20	93260447	Écrou hexagonal à collerette 5/16-18* (5 oblig.)
21	98009516	Support
22	99680019	Pince de roue
23	99020274	Roue de soufflerie (includ n° légende 22)
24	98009514	Bague d'arrivée
25	99150417	Vis, #8-18 x ¼* (5 oblig.)
26	98009513	Support de volute
+	97014848	Soufflerie, ensemble (FFC900) (includ n° légende 15 à 26)
+	97014849	Soufflerie, ensemble (FFC1500) (includ n° légende 15 à 26)
27	98009532	Panneau de access
28	99150472	Vis de fixation de panneau de access (4 oblig.)

Commander les pièces de rechange par numéro de référence et non à l'aide du numéro de légende.

* Visserie standard - peut être achetée localement.

+ Non montré assemblé.

PIÈCES DE RECHANGE



GARANTIE

GARANTIE LIMITÉE D'UN AN

Soler & Palau Breidert Air Products JencoFan garantit ses produits contre tout défaut de matériau ou de fabrication pendant une année, à compter de la date d'expédition. S'il s'avère, moins d'un an après que la société ait expédié le produit à l'acheteur initial, que le ventilateur ou les matériaux qui le composent ne respectent pas les garanties stipulées ci-haut, dans la mesure où l'acheteur en a promptement avisé la société, celle-ci s'engage à corriger lesdites déficiences, à sa seule option, en réparant toute pièce défectueuse ou en fournissant à l'usine de la société une pièce réparée ou de rechange.

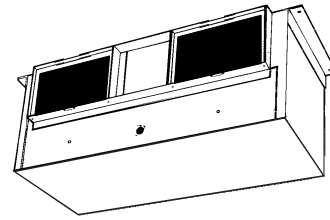
La présente garantie ne s'applique à aucun équipement qui aura été modifié ou réparé de telle sorte, selon l'opinion de la société, à affecter ses performances ou sa fiabilité, ou qui aura été mal installé ou fait l'objet d'une mauvaise utilisation, d'une négligence ou d'un accident. Cette garantie ne couvre ni la main-d'oeuvre nécessaire pour le démontage ou l'installation de pièces, ni les pertes de profit attribuables à une défaillance du ventilateur, des moteurs électriques ou des courroies. Les moteurs électriques sont toutefois couverts par la garantie de leur fabricant.

Les pièces défectueuses doivent être renvoyées à la société avant l'émission d'aucun crédit. Ces pièces doivent être retournées tous frais de port payés. Les expéditions en port dû ou contre remboursement seront refusées.

Cette garantie remplace formellement toute autre garantie expresse ou tacite, ainsi que toute autre obligation ou responsabilité de la part de la société. Celle-ci n'assume aucune autre responsabilité relative à la vente de ses équipements et n'autorise aucun de ses représentants ou quiconque à l'assumer en son nom.

Breidert Air Products
 JencoFan
 6393 Powers Ave.
 Jacksonville, FL 32217

IN-LINE CABINET VENTILATORS



READ AND SAVE THESE INSTRUCTIONS

WARNING

TO REDUCE THE RISK OF FIRE, ELECTRIC SHOCK, OR INJURY TO PERSONS, OBSERVE THE FOLLOWING:

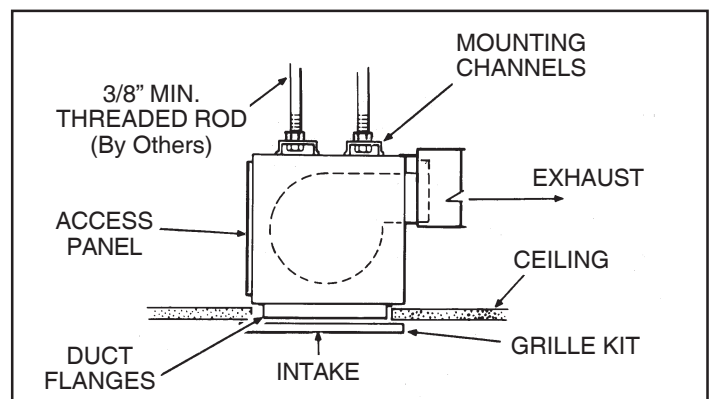
1. Use this unit only in the manner intended by the manufacturer. If you have questions, contact the manufacturer at the address or telephone number listed in the warranty.
2. Before servicing or cleaning unit, switch power off at service panel and lock the service disconnecting means to prevent power from being switched on accidentally. When the service disconnecting means cannot be locked, securely fasten a prominent warning device, such as a tag, to the service panel.
3. Installation work and electrical wiring must be done by a qualified person(s) in accordance with all applicable codes and standards, including fire-rated construction codes and standards.
4. Sufficient air is needed for proper combustion and exhausting of gases through the flue (chimney) of fuel burning equipment to prevent backdrafting. Follow the heating equipment manufacturer's guideline and safety standards such as those published by the National Fire Protection Association (NFPA), and the American Society for Heating, Refrigeration and Air Conditioning Engineers (ASHRAE), and the local code authorities.
5. When cutting or drilling into wall or ceiling, do not damage electrical wiring and other hidden utilities.
6. Ducted fans must always be vented to the outdoors.
7. This unit must be grounded.

CAUTION

1. For general ventilating use only. Do not use to exhaust hazardous or explosive materials and vapors.
2. To avoid motor bearing damage and noisy and/or unbalanced impellers, keep drywall spray, construction dust, etc. off power unit.
3. Please read specification label on product for further information and requirements.

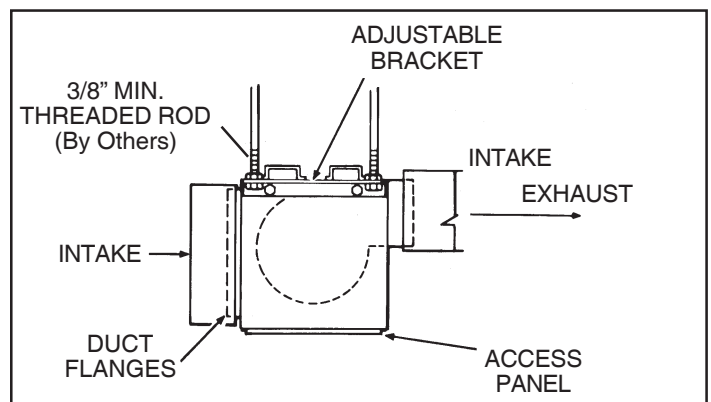
PLAN INSTALLATION

MOUNTING (*Right-angle Discharge*)



Factory shipped ready to be installed as a ceiling ventilator with right-angle discharge.

MOUNTING (*In-line Configuration*)

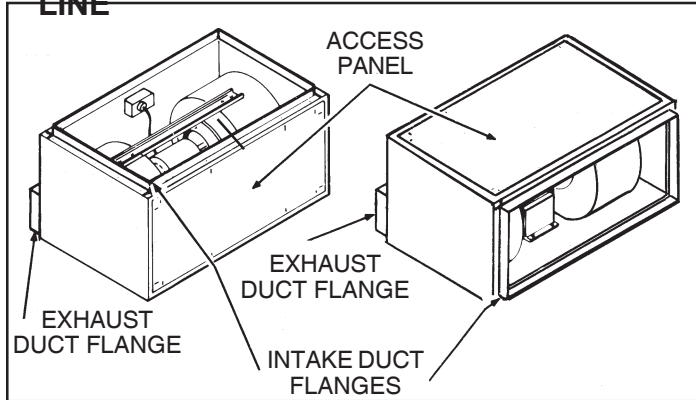


Converted for in-line applications.

**Installer: Leave this manual with the homeowner.
Homeowner: Use and Care information on page 3.**

PLAN INSTALLATION (cont.)

CONVERTING FROM RIGHT-ANGLE TO IN-LINE



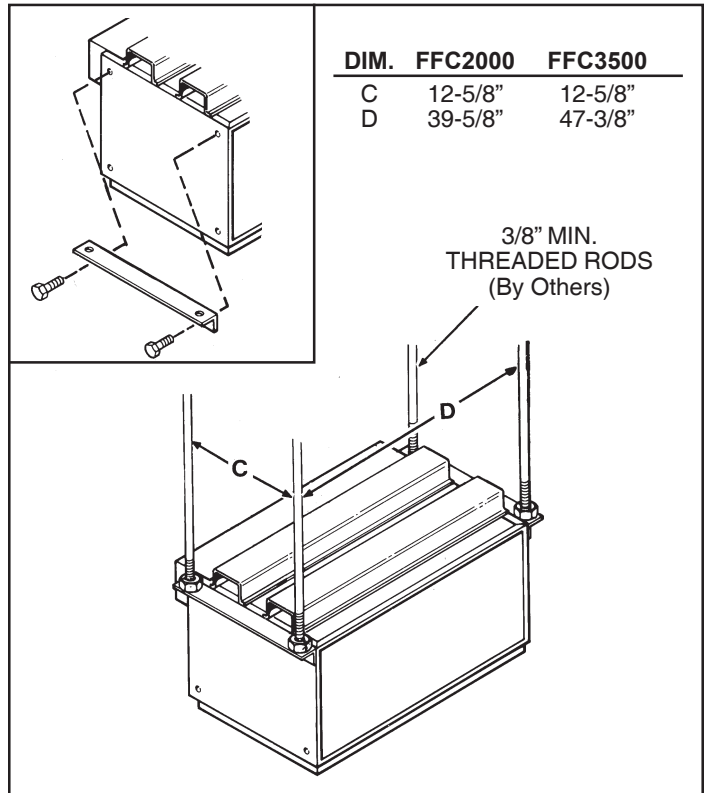
Remove and reverse duct flanges and access panel positions on housing.

For correct intake and exhaust duct size, see Table 1.

TABLE 1

MODEL	INTAKE DUCT SIZE	EXHAUST DUCT SIZE
FFC2000	12-3/8" x 35-3/4"	7-3/4" x 33-3/4"
FFC3500	14-1/2" x 43-1/2"	9-3/4" x 41-3/8"

MOUNTING OPTIONS

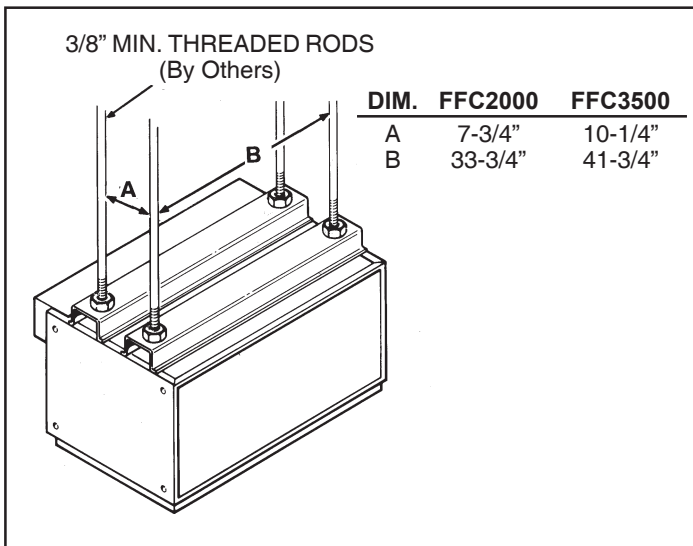


Mounting with threaded rod through adjustable mounting brackets located at top of housing.

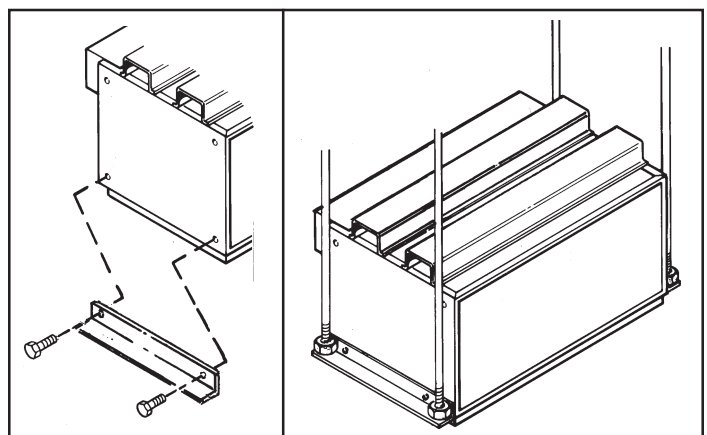
MOUNTING OPTIONS

Provide solid support to minimize sound levels. There are two basic mounting methods for these units.

Mounting brackets can be bolted to housing ends in a variety of configurations. Use screws and nuts provided in parts bag.



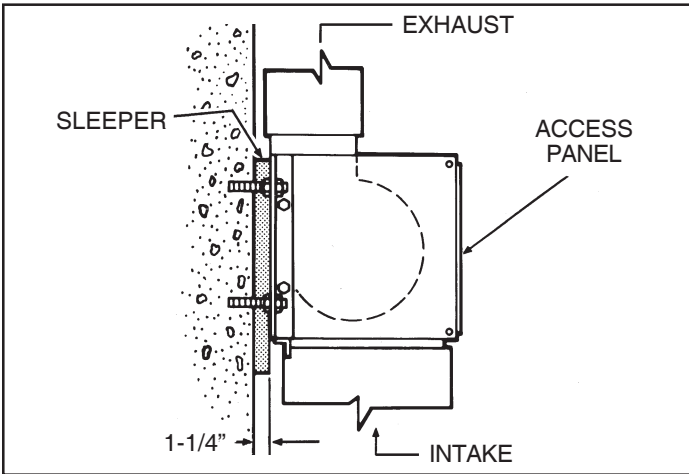
Typical mounting with threaded rod through mounting channels on top of housing.



Mounting with threaded rods through adjustable mounting brackets located at bottom of housing.

If installing unit as a ceiling ventilator, make sure that either duct flanges or housing will be flush with finished ceiling. Duct flanges may be removed and discarded if they interfere with a ceiling installation.

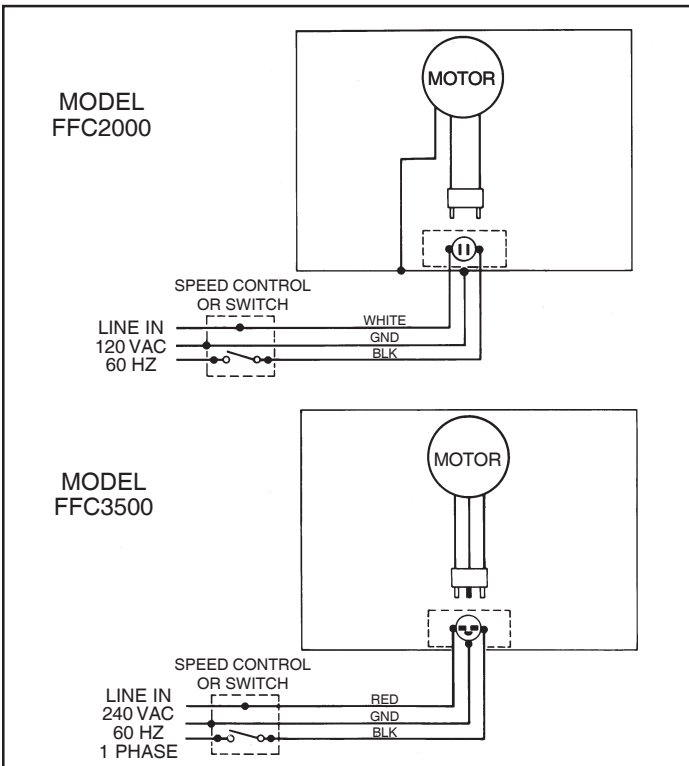
MOUNTING OPTIONS



Typical wall mounting with 3/8" threaded fasteners (by others) through mounting brackets.

ELECTRICAL CONNECTIONS

Connect electrical power cable to housing with proper connector for type of cable used. Provide 6" leads inside wiring box.

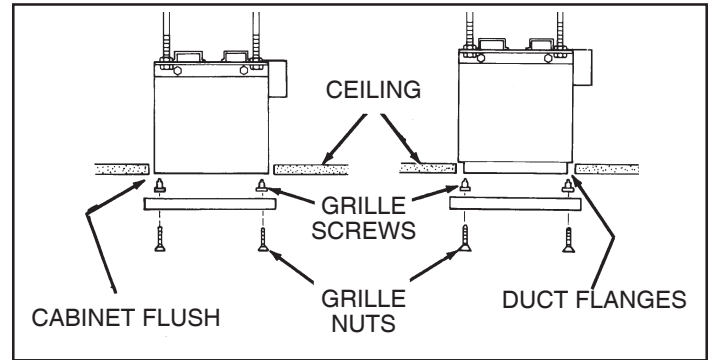


ACCESSORIES

MODEL	DAMPER KIT	GRILLE KIT	SPEED CONTROL	VIBRATION HANGER
FFC2000	D100	G102	72V / 72W	V104
FFC3500	D101	G103	75V	V104

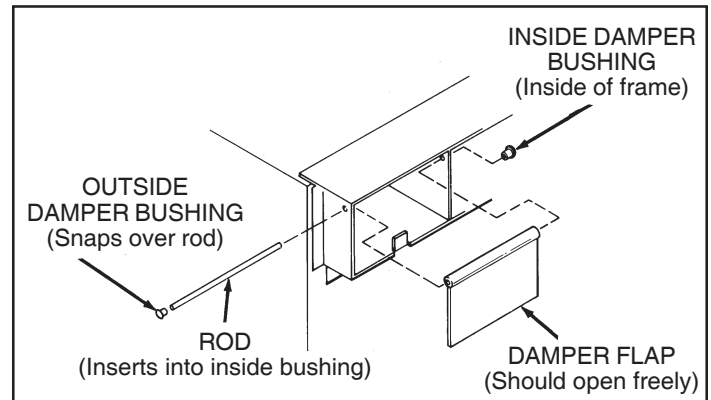
ACCESSORY INSTALLATIONS

If ventilator will discharge directly outside, install a damper kit to prevent backdrafts. A grille kit is available for applications where ventilator is installed with direct or remote room air intake.



Snap screw bushings into square openings around intake opening. Install grille with screws provided.

NOTE: If duct flanges around intake opening interfere with installation, remove them. Make sure that housing is flush with finished ceiling when ventilator is mounted.



Install damper flap using rod provided.

USE AND CARE

Ventilator is designed for continuous operation. If desired, it may be controlled using an on/off switch or a solid-state, variable speed control. Follow wiring instructions packed with control, and adhere to all local and state codes, and the National Electrical Code.

⚡ WARNING: To reduce the risk of electric shock, disconnect from power supply before servicing.

To clean grille: Use appropriate vacuum attachment or remove grille and clean with a soft cloth and mild soap or detergent. Dry grille thoroughly before reinstalling.

To clean blower assembly: Remove either access panel or ceiling grille. Unplug blower assembly. Provide safe support for blower assembly. Remove blower mounting screws and lift blower assembly out of housing. Gently vacuum housing and blower motor. Vacuum or gently wash blower wheels and housings. **DO NOT ALLOW WATER TO ENTER MOTOR.** Make sure blower assembly is completely dry before reinstalling. Replace blower assembly in housing and plug assembly in. Replace grille and/or access panel.

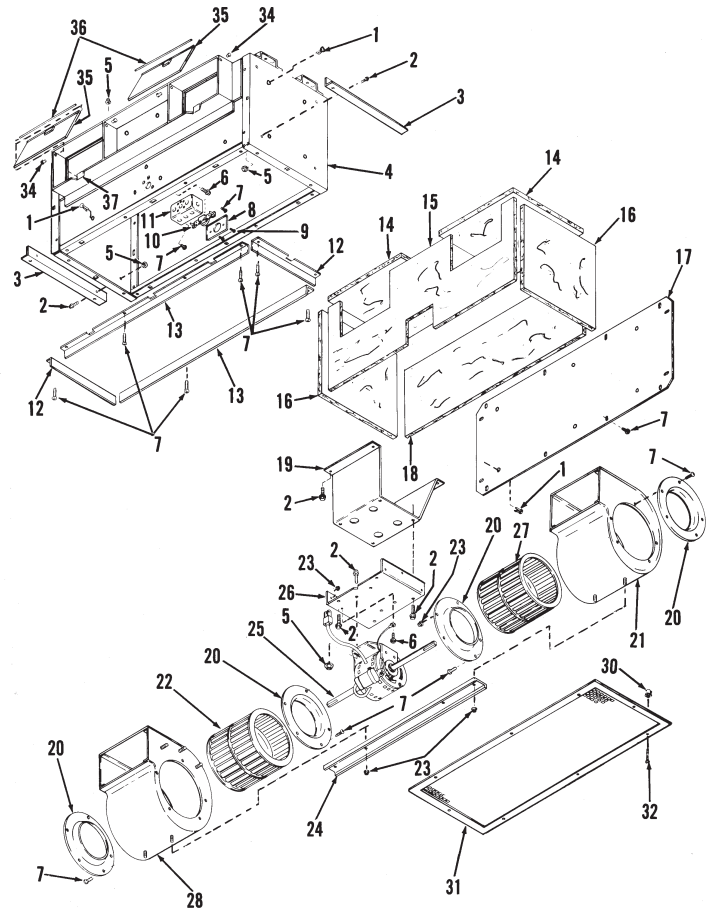
Motor is permanently lubricated. Do not oil or disassemble motor.

SERVICE PARTS

KEY NO.	MODEL FFC2000 PART NO.	QTY.	MODEL FFC3500 PART NO.	QTY.	DESCRIPTION
1	99420466	27	99420466	27	Insulation Clip
2	99170261	16	99170261	18	#5/16 - 18 x 1/2 Serrated Hex Head Screw
3	98006462	2	98006462	2	Mounting Bracket
4	97008107	1	97008108	1	Cabinet Body
5	93260447	12	93260447	14	#5/16 - 18 Lock Nut
6	99150471	2	----	--	#10-32 x 1/2 Green Ground Screw
7	99150490	42	99150490	44	#10B x 3/8 Serrated Pan Head Screw
8	99270658	1	99270658	1	Outlet Box Cover
9	99160319	2	99160319	2	#6-32 x 3/8 Machine Screw
10	99270656	1	99270657	1	Receptacle
11	99270659	1	99270659	1	Outlet Box
12	98006364	2	98006376	2	Duct Inlet Flange - short
13	98006363	2	98006375	2	Duct Inlet Flange - long
14	99500335	2	99500339	2	Bottom Panel
15	99500333	1	99500337	1	Back Panel
16	99500334	2	99500338	2	End Panel
17	98006699	1	98006700	1	Access Panel
18	99500336	1	99500340	1	Access Panel
19	97007450	1	97007451	1	Blower Platform
20	98006475	4	98006476	4	Venturi Ring
21	97007453	1	97007455	1	Right Hand Scroll
22	99020172	1	99020174	1	Blower Wheel - clockwise
23	99260477	10	99260477	12	1/4-20 Lock Nut
24	98006365	1	98006377	1	Blower Support Channel
25	99080194	1	99080195	1	Motor
26	98006381	1	98006382	1	Motor Platform
27	99020173	1	99020175	1	Blower Wheel - counter-clockwise
28	97007452	1	97007454	1	Left Hand Scroll
29	G-102	1	G-103	1	Grille Kit (contains Key Nos. 30, 31 & 32)
30	99420470	8	99420470	8	Grille Nut
31	98006477	1	98006478	1	Grille
32	99150472	8	99150472	8	#8-18 x 1 1/4 Grille Screw
33	D-100	1	D-101	1	Damper Kit (contains Key Nos. 34, 35, 36 & 37)
34	99100379	4	99100379	4	Damper Bushing
35	98006479	2	98006480	2	Damper Flap
36	98006481	2	98006472	2	Damper Rod
37	99760002	2	99760002	2	Damper Flap Magnet
**	97007448	1	97007448	1	Parts Bag (contains 4 ea. of Key Nos. 2 & 5)

Order replacement parts by PART NO. - not by KEY NO.
** Not Shown

SERVICE PARTS



WARRANTY

ONE YEAR LIMITED WARRANTY

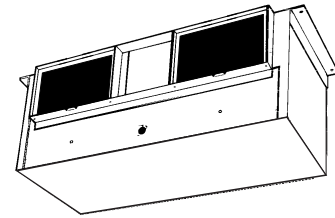
Soler & Palau Breidert Air Products JencoFan, warrants all products to be free from defects in material or workmanship for a period of one year from date of shipment. If it appears within one year from date of shipment by the Company to the original purchaser that any such ventilator or the material used therein does not meet the warranties specified above and the purchaser notifies the Company promptly, the Company agrees to remedy any such defect, at the company's option.

This warranty shall not apply to any equipment which has been repaired or altered in any way so as, in the company's judgement, to affect its performance or reliability, nor which has been improperly installed or subjected to misuse, negligence, or accident. Neither shall this warranty apply to labor to remove or install defective parts, profits lost due to failure of the ventilator or electric motors or belts. Electric motors, however, carry the warranty of the motor manufacturer.

This warranty is expressly in lieu of all other warranties expressed or implied, and of all other obligations or liabilities on the company's part. The company neither assumes, nor authorizes any representative or other persons to assume for it, any other liability in connection with the sale of its equipment.

Soler & Palau
Breidert Air Products
JencoFan
6393 Powers Ave
Jacksonville, FL 32217

VENTILATEURS DE PLACARDS EN LIGNE



LIRE ET CONSERVER CES INSTRUCTIONS

AVERTISSEMENT

POUR RÉDUIRE LE RISQUE D'INCENDIE, DE CHOC ÉLECTRIQUE OU DE BLESSURES PERSONNELLES, OBSERVEZ CE QUI SUIT:

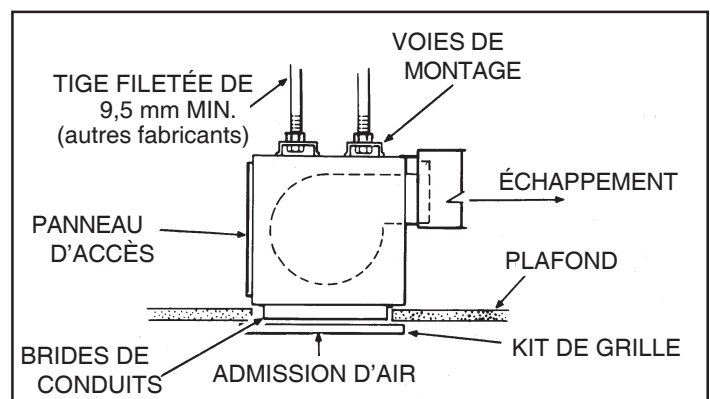
1. Utilisez cette unité seulement de la façon prévue par le fabricant. Pour d'autres renseignements, contactez le fabricant à l'adresse ou au numéro de téléphone qui se trouve dans la garantie.
2. Avant d'effectuer une réparation ou un entretien sur cet appareil, coupez le courant au tableau d'alimentation et verrouillez celui-ci pour empêcher que la tension soit remise accidentellement. Lorsque le verrouillage de la déconnexion n'est pas possible, mettez bien en vue un signal d'avertissement telle qu'une étiquette, sur le panneau d'alimentation.
3. L'installation et la pose des fils électriques doivent être effectuées par une ou des personnes qualifiées conformément à tous les codes et normes applicables, incluant les normes de construction en rapport aux incendies.
4. Il faut suffisamment d'air pour une combustion appropriée et l'échappement des gaz par le tuyau de la cheminée de l'équipement brûlant du combustible pour prévenir un contre-courant. Suivez les instructions du fabricant de l'équipement de chauffage et les normes de sécurité telles que celles publiées par la National Fire Protection Association (NFPA) et l'American Society for Heating, Refrigeration and Air Conditioning Engineers (ASHRAE) et des autorités du code local.
5. Lors de la coupe ou du perçage dans un mur ou un plafond, prenez soin de ne pas endommager les fils électriques et les autres utilités dissimulées.
6. La décharge des ventilateurs à conduit par l'évent doit toujours se faire à l'extérieur.
7. Pour réduire le risque d'incendie, utilisez seulement des conduits de ventilation en métal.
8. Si cette unité doit être installée au-dessus d'une baignoire ou d'une douche, elle doit être marquée comme étant appropriée pour l'application et être connectée à un circuit dérivé protégé GFCI (interrupteur de circuit en cas de défaut de mise à la terre du neutre).
9. Ne placez jamais un interrupteur dans un endroit où il peut être rejoint d'une baignoire ou d'une douche.
10. Cette unité doit être mise à la terre.

ATTENTION

1. Pour ventilation générale seulement. Ne l'utilisez pas pour évacuer les vapeurs ou matériaux dangereux ou que peuvent exploser.
2. Pour éviter d'endommager les coussinets du moteur et des turbines bruyantes et/ou mal équilibrées, assurez que l'unité motrice est exempte de poussière provenant des murs en pierres sèches et la construction.
3. Veuillez lire l'étiquette de spécifications sur le produit pour d'autres renseignements et exigences.

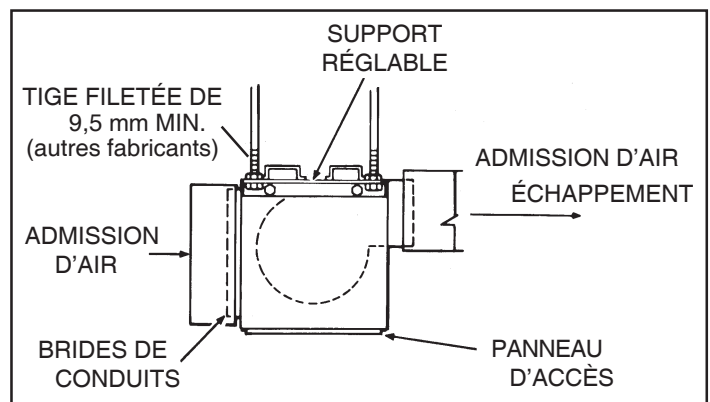
SCHÉMA DE L'INSTALLATION

CONFIGURATION (décharge à angle droit)



Expédié de l'usine prêt à être installé comme ventilateur de plafond à décharge à angle droit

CONFIGURATION (en ligne)

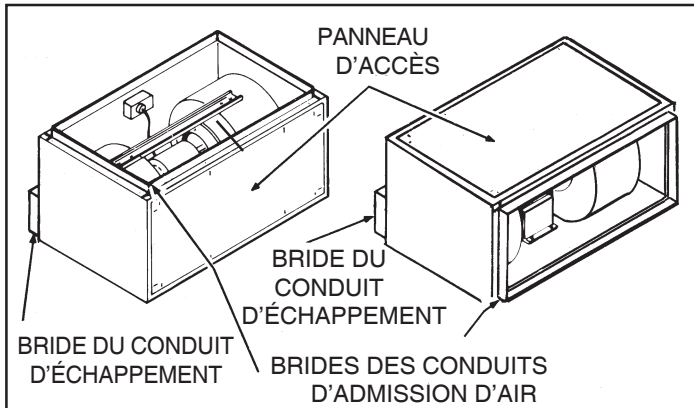


Converti pour applications en ligne

**Installateur: Remettez ce manuel au propriétaire de maison.
Propriétaire de maison: Mode d'utilisation et soin à la page 7.**

SCHÉMA DE L'INSTALLATION (suite)

CONVERSION ANGLE DROIT - EN LIGNE



Retirer et inverser la position des brides de conduits et du panneau d'accès sur le boîtier.

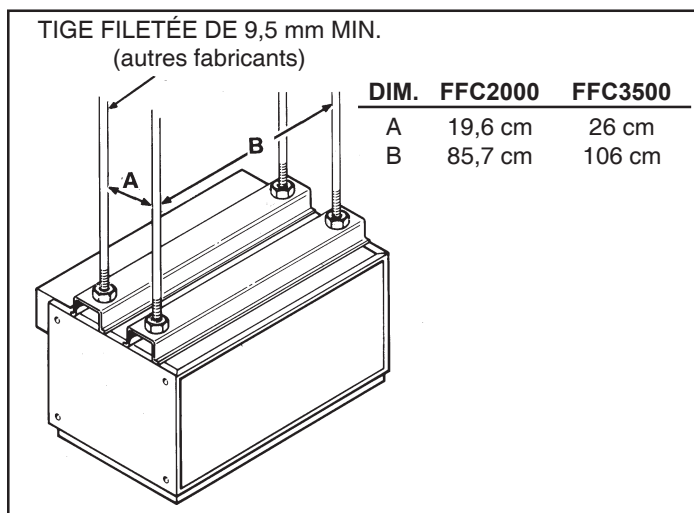
Pour les dimensions correctes des conduits d'admission d'air et d'échappement, voir le tableau 1.

TABLEAU 1

MODÈLE	DIMENSIONS DU CONDUIT D'ADMISSION	DIMENSIONS DU CONDUIT D'ÉCHAPPEMENT
FFC2000	31,4 cm x 90,8 cm	19,6 cm x 85,7 cm
FFC3500	36,8 cm x 110,5 cm	24,7 cm x 113,6 cm

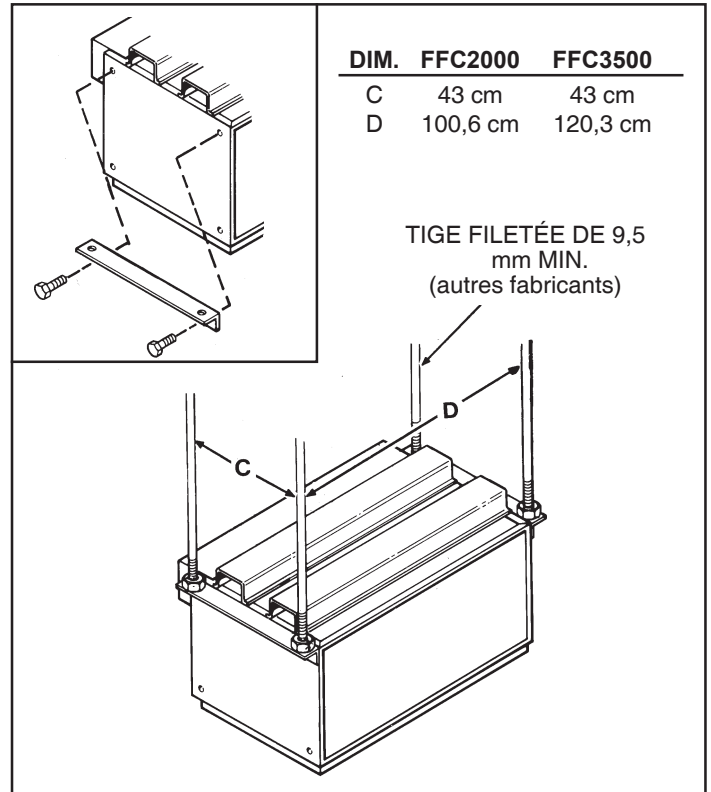
CONFIGURATIONS POSSIBLES

Fournir un support solide pour minimiser le bruit. Il existe deux méthodes de montage standard pour ces appareils.



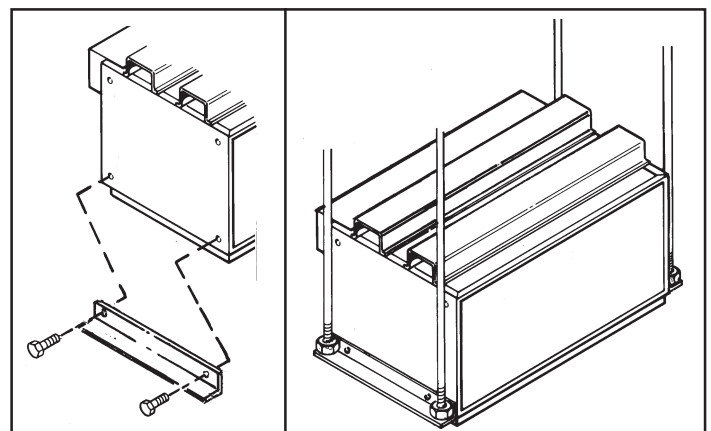
Configuration standard avec tige filetée enfilée à travers les voies de montage sur le dessus du boîtier

CONFIGURATIONS POSSIBLES



Configuration avec tige filetée enfilée à travers les supports réglables situés sur le dessus du boîtier

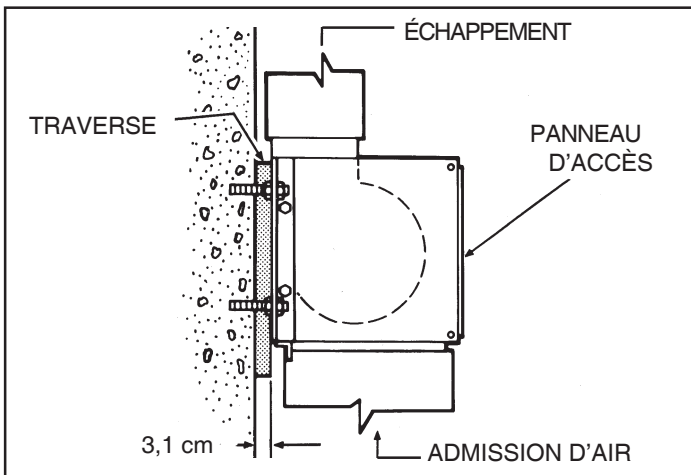
Les supports peuvent être boulonnés aux extrémités du boîtier dans plusieurs positions. Utiliser les vis et les écrous fournis dans le sachet de visserie.



Configuration avec tige filetée enfilée à travers les supports réglables situés en dessous du boîtier

Si l'appareil est installé au plafond, s'assurer que les brides de conduits ou le boîtier se trouvent contre le plafond fini. Les brides de conduits peuvent être retirées et jetées si elles interfèrent avec l'installation du plafond.

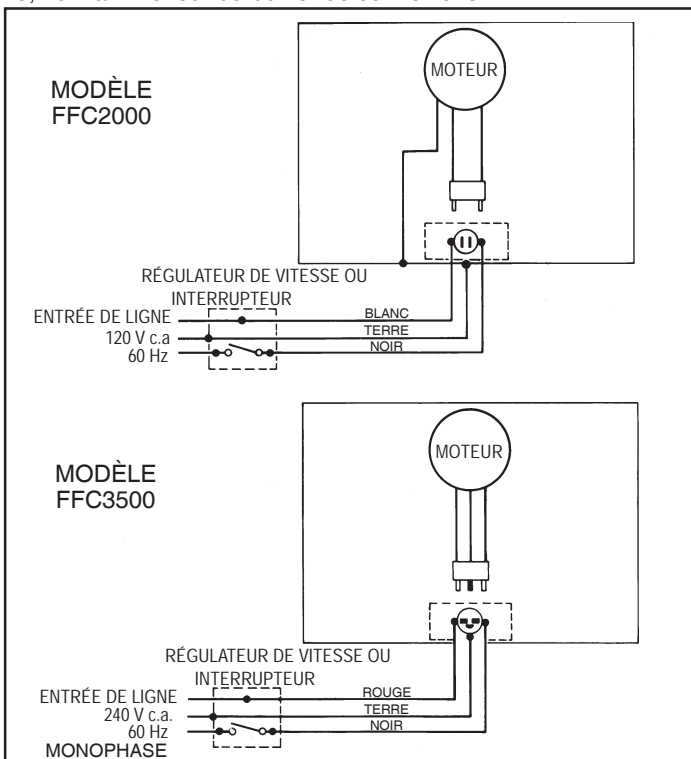
CONFIGURATIONS POSSIBLES



Montage mural standard avec attaches filetées de 9 mm (autres fabricants) enfilées à travers les supports

BRANCHEMENT SÉLECTRIQUES

Brancher le câble d'alimentation électrique sur le boîtier à l'aide d'un connecteur adapté au type de câble utilisé. Disposer de fils de 15,2 cm à l'intérieur du boîtier de connexions.

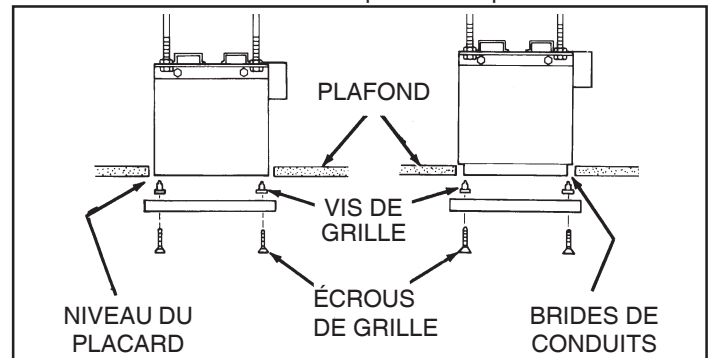


ACCESSOIRES

MODÈLE	KIT DE REGISTRE	KIT DE GRILLE	RÉGULATEUR DE VITESSE	AMORTISSEUR DE VIBRATIONS
FFC2000	D100	G102	72V / 72W	V104
FFC3500	D101	G103	75V	V104

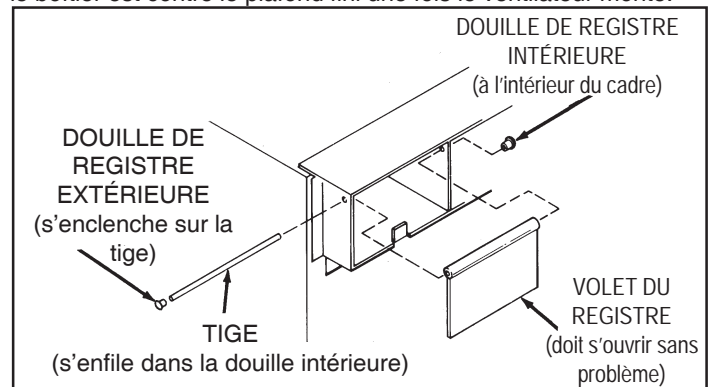
INSTALLATION DES ACCESSOIRES

Si la décharge du ventilateur se fait directement à l'extérieur, installer le kit de registre pour empêcher les refoulements. Un kit de grille est disponible pour les applications où le ventilateur est installé avec admission d'air directe ou à partir d'une pièce distante.



Enclencher les douilles filetées dans les ouvertures carrées autour de l'ouverture d'admission. Installer la grille avec les vis fournies.

REMARQUE : Si les brides de conduits qui entourent l'ouverture d'admission interfèrent avec l'installation, les retirer. S'assurer que le boîtier est contre le plafond fini une fois le ventilateur monté.



Installer le volet du registre à l'aide de la tige fournie.

UTILISATION ET ENTRETIEN

Le ventilateur a été conçu pour une utilisation continue. Si désiré, il peut être commandé à l'aide d'un interrupteur marche/arrêt ou d'un régulateur de vitesse à semi-conducteurs. Suivre les instructions de câblage fournies avec le régulateur et respecter tous les codes locaux et provinciaux en vigueur, de même que le Code national de l'électricité.

⚡ AVERTISSEMENT : Pour diminuer les risques de décharge électrique, débrancher la source d'alimentation avant toute opération d'entretien.

Pour nettoyer la grille : Utiliser un accessoire d'aspirateur approprié ou retirer la grille et nettoyer à l'aide d'un chiffon doux et de savon ou de détergent doux. Bien essuyer la grille avant de la réinstaller.

Pour nettoyer la soufflerie : Retirer le panneau d'accès ou la grille du plafond. Débrancher la soufflerie. L'appuyer sur un support solide. Retirer les vis de fixation de la soufflerie et retirer délicatement la soufflerie du boîtier en soulevant. Aspirer le boîtier et le moteur de la soufflerie avec précaution. Aspirer ou laver avec précaution les roues de la soufflerie et les boîtiers. **NE PAS LAISSER D'EAU S'INFILTRER DANS LE MOTEUR.** S'assurer que la soufflerie est complètement sèche avant de la réinstaller. Remettre la soufflerie dans le boîtier et brancher l'ensemble. Remettre la grille et/ou le panneau d'accès en place.

Le moteur est lubrifié en permanence. Ne pas le lubrifier ni le démonter.

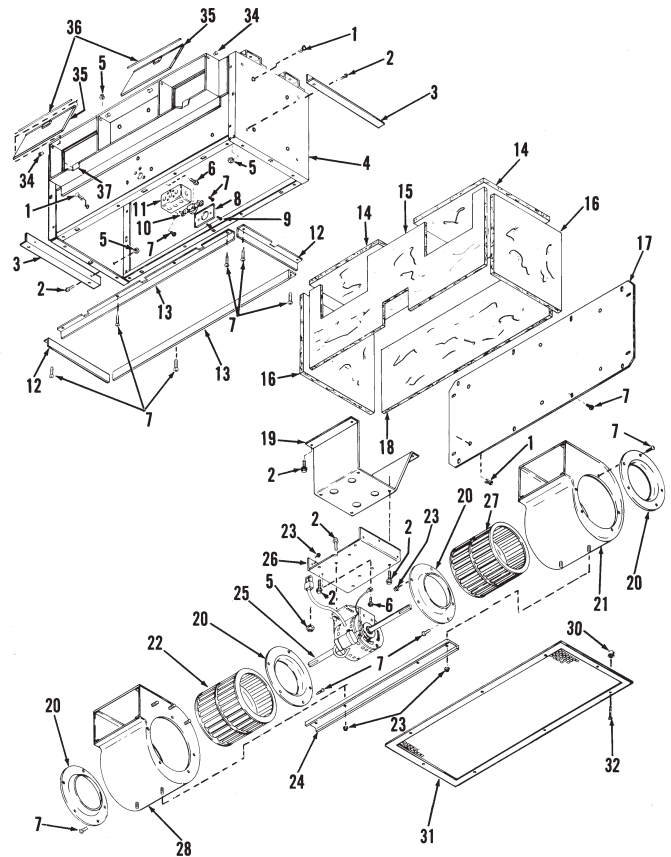
PIÈCES DE RECHANGE

LEG-ENDE	MODELE FFC2000 N° DE RÉF. QTÉ	MODELE FFC3500 N° DE RÉF. QTÉ	DESCRIPTION
1	99420466 27	99420466 27	Clip isolante
2	99170261 16	99170261 18	Vis dentée à six pans 5/16 - 18 x 1/2
3	98006462 2	98006462 2	Support
4	97008107 1	97008108 1	Placard
5	93260447 12	93260447 14	Contre-écrou 5/16 - 18
6	99150471 2	----	Vis de borne de terre verte 10-32 x 1/2
7	99150490 42	99150490 44	Vis dentée à tête cylindrique bombée 10B x 3/8
8	99270658 1	99270658 1	Couvercle du boîtier de sortie
9	99160319 2	99160319 2	Vis à métaux 6-32 x 3/8
10	99270656 1	99270657 1	Prise
11	99270659 1	99270659 1	Boîtier de sortie
12	98006364 2	98006376 2	Bride du conduit d'admission - courte
13	98006363 2	98006375 2	Bride du conduit d'admission - longue
14	99500335 2	99500339 2	Isolant du panneau inférieur
15	99500333 1	99500337 1	Isolant du panneau arrière
16	99500334 2	99500338 2	Panneau terminal isolant
17	98006699 1	98006700 1	Panneau d'accès
18	99500336 1	99500340 1	Isolant du panneau d'accès
19	97007450 1	97007451 1	Plate-forme de la soufflerie
20	98006475 4	98006476 4	Anneau de venturi
21	97007453 1	97007455 1	Volute à droite
22	99020172 1	99020174 1	Roue de ventilateur - sens des aiguilles d'une montre
23	99260477 10	99260477 12	Contre-écrou 1/4-20
24	98006365 1	98006377 1	Voie de support de soufflerie
25	99080194 1	99080195 1	Moteur
26	98006381 1	98006382 1	Plate-forme de moteur
27	99020173 1	99020175 1	Roue de soufflerie - sens inverse des aiguilles d'une montre
28	97007452 1	97007454 1	Volute à gauche
29	G-102 1	G-103 1	Kit de grille (contient n° de réf. 30, 31 et 32)
30	99420470 8	99420470 8	Écrou de grille
31	98006477 1	98006478 1	Grille
32	99150472 8	99150472 8	Vis de grille 8-18 x 1 1/4
33	D-100 1	D-101 1	Kit de registre (contient n° de réf. 34, 35, 36 et 37)
34	99100379 4	99100379 4	Douille de registre
35	98006479 2	98006480 2	Volet de registre
36	98006481 2	98006472 2	Tige de registre
37	99760002 2	99760002 2	Aimant du volet de registre
**	97007448 1	97007448 1	Sachet de visserie (contient 4 n° de réf. 2 et 5)

Commander les pièces de rechange par numéro de référence et non à l'aide du numéro de légende.

* Visserie standard - peut être achetée localement.

PIÈCES DE RECHANGE



GARANTIE

GARANTIE LIMITÉE D'UN AN

Soler & Palau Breidert Air Products Jencofan garantit ses produits contre tout défaut de matériau ou de fabrication pendant une année, à compter de la date d'expédition. S'il s'avère, moins d'un an après que la société ait expédié le produit à l'acheteur initial, que le ventilateur ou les matériaux qui le composent ne respectent pas les garanties stipulées ci-haut, dans la mesure où l'acheteur en a promptement avisé la société, celle-ci s'engage à corriger lesdites déficiences, à sa seule option, en réparant toute pièce défectueuse ou en fournissant à l'usine de la société une pièce réparée ou de rechange.

La présente garantie ne s'applique à aucun équipement qui aura été modifié ou réparé de telle sorte, selon l'opinion de la société, à affecter ses performances ou sa fiabilité, ou qui aura été mal installé ou fait l'objet d'une mauvaise utilisation, d'une négligence ou d'un accident. Cette garantie ne couvre ni la main-d'oeuvre nécessaire pour le démontage ou l'installation de pièces, ni les pertes de profit attribuables à une défaillance du ventilateur, des moteurs électriques ou des courroies. Les moteurs électriques sont toutefois couverts par la garantie de leur fabricant.

Les pièces défectueuses doivent être renvoyées à la société avant l'émission d'aucun crédit. Ces pièces doivent être retournées tous frais de port payés. Les expéditions en port dû ou contre remboursement seront refusées.

Cette garantie remplace formellement toute autre garantie expresse ou tacite, ainsi que toute autre obligation ou responsabilité de la part de la société. Celle-ci n'assume aucune autre responsabilité relative à la vente de ses équipements et n'autorise aucun de ses représentants ou quiconque à l'assumer en son nom.

Soler & Palau
Breidert Air Products
Jencofan
6393 Powers Ave
Jacksonville, FL 32217