

# MODELS STXD & STXDe

## DIRECT DRIVE CENTRIFUGAL ROOF EXHAUSTERS

### MODEL STXD DIRECT DRIVE CENTRIFUGAL ROOF EXHAUSTER



#### MODEL FEATURES


- Exhaust air up to 4,780 CFM in high static pressure applications up to 1-1/2" w.g.
- Attractive spun aluminum exterior
- Direct drive units have low sound levels and quiet operation
- Curved non-overloading backward inclined wheel for efficiency at higher static pressures
- Roof or sidewall mounting options
- AMCA Air and Sound Licensed
- cULus 705 or 762 Listed

#### APPLICATION CONSTRUCTION OPTIONS

MODEL NAME	TYPICAL APPLICATIONS
STXD	Removal of clean or contaminated air in general applications
STXDRHUL	UL762 listed for grease removal
STXDe	UL705 of STXD with electronically commutated motor
STXDeRHUL	UL762 version of STXDe
STXDW	Wall mount version of STXD
STXDWRHUL	UL762 version of STXDW
STXDeW	Wall mount version of STXDe
STXDeWRHUL	UL762 version of STXDeW

#### MODEL OVERVIEW

Model STXD direct drive fans are designed to exhaust air up to 4,780 CFM in high static pressure applications to 1-1/2". The aluminum exterior provides an attractive appearance. The non-overloading backward inclined wheel with its higher static pressure capability makes this unit suitable for either ducted or nonducted applications. Its roof or wall mounting permits location near the area to be ventilated, allowing short duct runs and more efficient operation. Direct drive units use smaller diameter wheels with lower rpm's, resulting in low sound levels and quiet operation. They have no belts or fan bearings to maintain or adjust and consequently require very little maintenance.



Models STXD or STXDRHUL are available in our Quickship program. All sizes are available for next day or 10-day shipping from stock.

Isolation of the motor from the air stream and the high velocity vertical (roof) or horizontal (wall) air discharge make the Model STXD ideally suited for the removal of dirty, contaminated and/or high temperature air from processes and buildings. Typical applications include restaurant hoods and similar kitchen exhaust ventilation, fume and smoke removal, laboratory fume hood exhaust and chemical process exhaust.

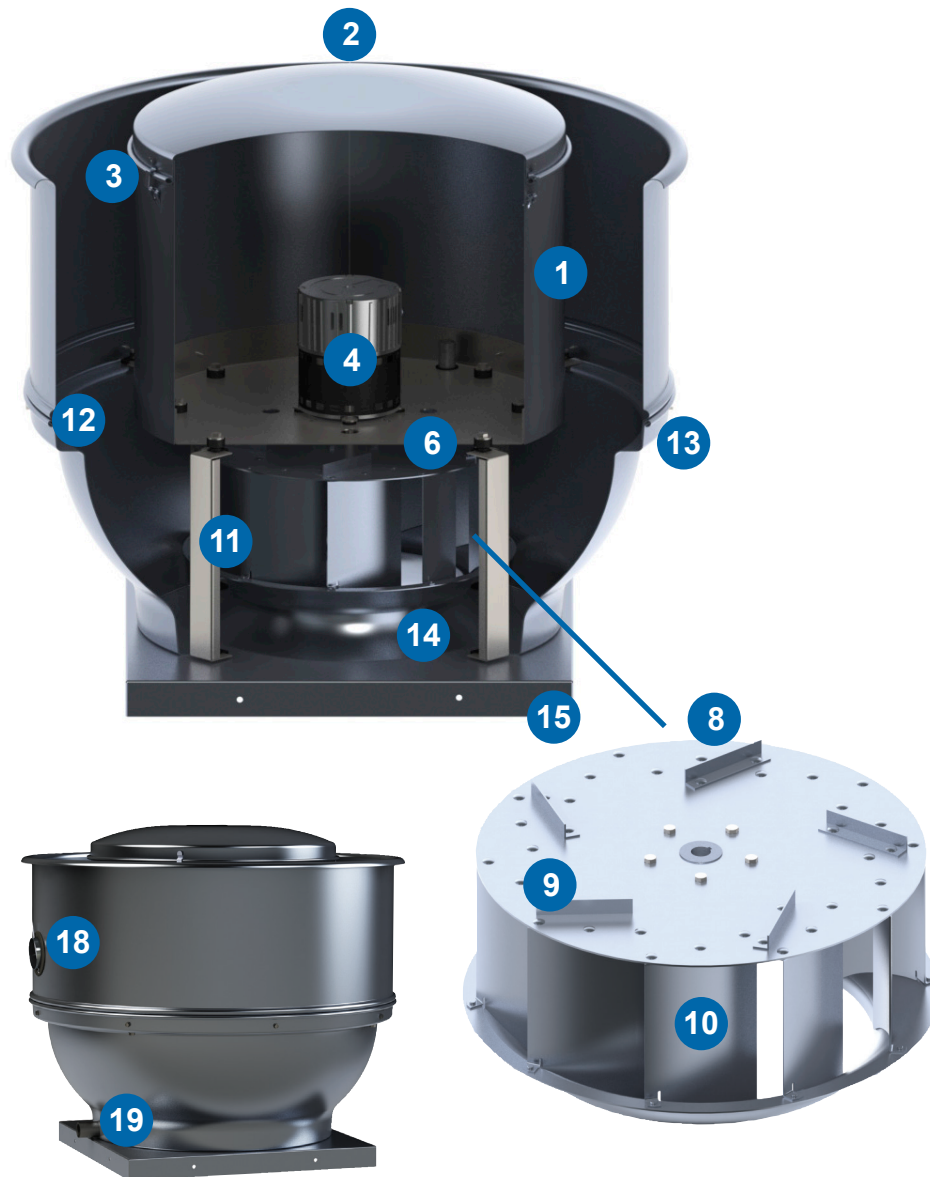
**Industry best 5 year fan housing warranty, 1 year motor warranty**  
**STXDRHUL units have 2 year fan housing warranty**



# Upblast Model Overview & Construction Features

## Model STXD & STXDe - Direct Drive

Size Range	6, 7, 8, 10, 12, 14, 15 & 16
Motor HP Range	1/25 to 1-1/2
CFM Range	55 to 4780
Static Pressure	up to 1-1/2 in. w.g.
Mounting	Suitable for Roof or Wall
Warranty	5 years/2 years for RHUL models



## Applications

### Exhaust Contaminated, Grease Laden and/or High Temperature Air

- Restaurant Hoods/Kitchen Ventilation
- Fume and Smoke Removal
- Laboratory Fume Hoods
- Chemical Process Exhaust



## Upblast Model Overview & Construction Features

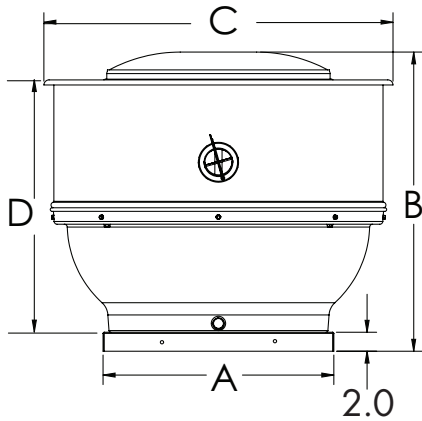
#	Feature	Description
1	Motor Cover	Heavy-gauge aluminum motor cover provides weather protection for motor compartment.
2	Motor Cover Cap	Heavy-gauge aluminum top with rolled bead for added strength and quick-release latches.
3	Quick-Release Latches	Stainless steel latches for easy removal of motor cover cap for access to the motor compartment and motor.
4	Motor	Open drip-proof enclosure standard, many other options available.
5	Bearings	Air handling ball bearing type with cast iron housing and grease fittings.
6	Vibration Isolators	Neoprene (rubber) vibration isolators to reduce vibration and noise.
7	Motor Mounting Plate	Heavy-gauge galvanized motor mounting plate.
8	Wheel	Aluminum, non-overloading, backward-inclined, curved centrifugal wheel for maximum efficiency. Each wheel is dynamically balanced for smooth operation and long life.
9	Cooling Vanes	Helps promote cooling of the motor and drive by pulling air through the motor compartment. Helps maximize the life of the motor and drives.
10	Curved Blades	Designed to provide more CFM per HP and lower sound levels.
11	Support Legs	4 heavy-gauge galvanized support legs to anchor the motor plate to the fan base for stability and vibration reduction.
12	Shroud	Spun aluminum fan shroud with rolled bead for extra strength. Fan shroud directs the exhausted air upward away from the mounting surface.
13	Exterior Fasteners	Stainless steel.
14	Inlet Venturi	Deep spun single piece inlet venturi for optimum air and sound performance
15	Curb Cap	Fully welded curb cap for rigidity and weather protection. Pre-punched mounting holes for ease of installation.
16	Drives	Sized for 150% of drive HP, adjustable pitch motor sheaves.
17	Lifting Lugs	Standard on all belt drive models, STXB, for easy and safe placement of the fan on roof.
18	Vent Tube	Oversized vent tube for maximum motor cooling.
19	Grease Drain Fitting	Grease drain fitting for connection of Grease Trough or Grease Grabber.
20	Disconnect Switch (not shown)	Standard with ODP and TE single speed motors. Ships loose.



**DIMENSIONS**

Dimensions in Inches

**Model STXD & STXDe: Direct Drive Centrifugal Upblast**



Size	A	B	C	D	Roof Opening	Curb O.D.	Damper (O.D.)	Average Ship Wt. Lbs.
6	18	25 5/16	28 5/8	23 5/16	13 1/2	16 1/2	12	90
7	18	25 5/16	28 5/8	23 5/16	13 1/2	16 1/2	12	89
8	18	25 5/16	28 5/8	23 5/16	13 1/2	16 1/2	12	98
10	18	25 5/16	28 5/8	23 5/16	13 1/2	16 1/2	12	114
12	20	26 15/16	31 5/16	24 15/16	15 1/2	18 1/2	14	118
14	20	26 15/16	31 5/16	24 15/16	15 1/2	18 1/2	14	117
15	24	27 5/8	36 1/2	25 5/8	19 1/2	22 1/2	18	135
16	24	27 5/8	36 1/2	25 5/8	19 1/2	22 1/2	18	136



## OPTIONS/ACCESSORIES

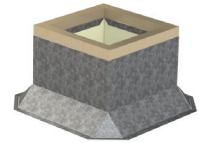
**Solid State Speed Control (STXD):** JencoFan's solid state control is matched to the motor and blower wheel to allow continuous reduction in performance allowing adjustments of airflow for system balancing. CFM is reduced in direct proportion to motor speed reduction. Speed control is available for 115 or 230 volt single phase. Exhauster performance can be controlled from the ventilated area.



**Constant Pressure Controls (STXDe):** (Not for UL762 use) For constant pressure control applications, the JencoFan constant pressure control package is available. This package includes the components that are needed to complete a demand-based exhaust ventilation system for kitchens, bathrooms, and/or clothes dryer exhaust in multi-story buildings. JencoFan recognized that the programming procedure for many constant pressure controls can be challenging, so this package is the simplest system available. The control box can be easily installed in the field, either mounted on a curb or inside the building. The backlit LCD display and pressure transducer are pre-programmed to work together to increase or reduce the speed of the fan to accommodate for the actual demand.

**Potentiometer Shipped Loose (STXDe):** If a variable rate that is manually changed by the operator from the occupied space is desired, the potentiometer is shipped loose and field installed in the appropriate accessible location. Simply rotating the dial will vary the speed of the fan from 20% to 100% full speed.

**Roof Curb:** Prefabricated heavy-gauge galvanized steel, welded construction, 12" high (other heights are also available) with 1-1/2" wood nailer. Assures perfect fit of exhauster to roof opening. Options include burglar bars, single or double pitch construction and hinged curbs for easy duct access.



**Common Curb:** Designed to allow both the supply fan and exhaust fan to be mounted on the same curb. This curb requires only one roof opening and speeds installation time.

**Motor Operated Damper:** Motor operated aluminum damper for positive closure against backdraft. (Not for UL762 use).



**Automatic Damper:** Automatic aluminum damper for ease in installation and effective backdraft protection. (Not for UL762 use).

**Grease Grabber or Aluminum Grease Trough:** Trap designed for fast and inexpensive replacement. Grease collects in a container for safe and sanitary disposal. Keeps roof clean with proper use.

**Curb Hinge Arrangement:** The curb hinge arrangement provides easy access to the exhaust fan, backdraft damper, and duct for servicing and cleaning.

**Birdscreen:** To protect the fan from birds and other large objects. (Ships installed when ordered with Build-to-order fans; ships loose when ordered with stock fans/Quickship)

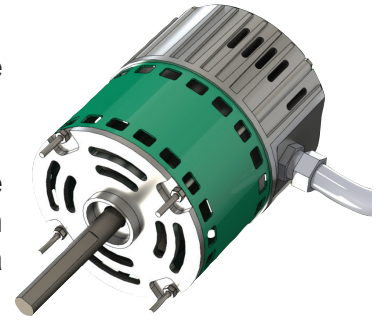
**Insect Screen:** Helps prevent insects, snow, airborne mist or water droplets from entering. (Ships installed when ordered with Build-to-order fans)

**Special Coatings:** Powered roof exhausters often require special coatings for protective and decorative purposes. Available coatings include: Synthetic Resin, Epoxy, and Heresite (air-dried phenolic). Contact your representative or the factory for more information on available coatings and colors.



### eMotor - Electronically Commutated Motor

JencoFan's eMotor is 115/230V and 50/60 Hz and is available in 1/3, 1/2, 3/4, & 1HP. This fully controllable motor offers both reliability and low maintenance in one of the most efficient motor fan combinations in the industry.



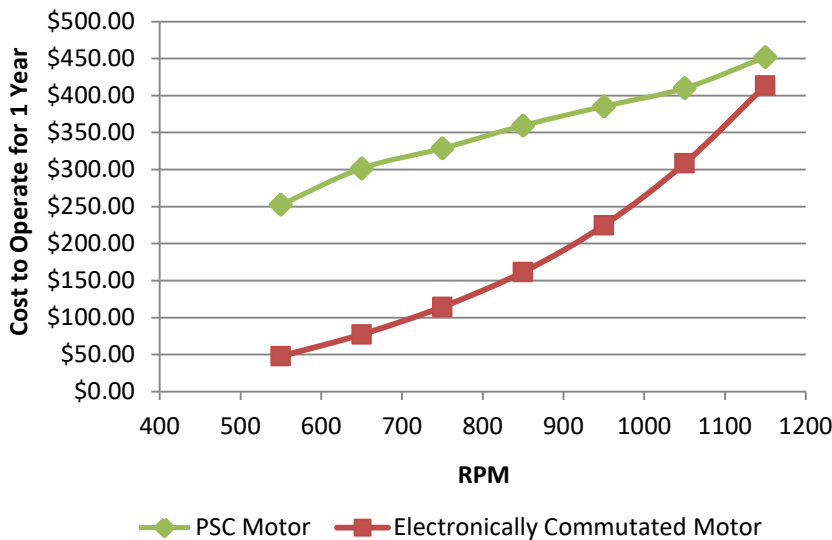
When used in JencoFan's STXD/STXDe downblast fan, the eMotor is the ideal solution for a low cost, fully controlled ventilation system. This motor in the STXD/STXDe can exhaust air volume up to 3,000 CFM, equal to that of a belt drive fan, with all the benefits and low maintenance of a direct drive fan.

### Features and Advantages

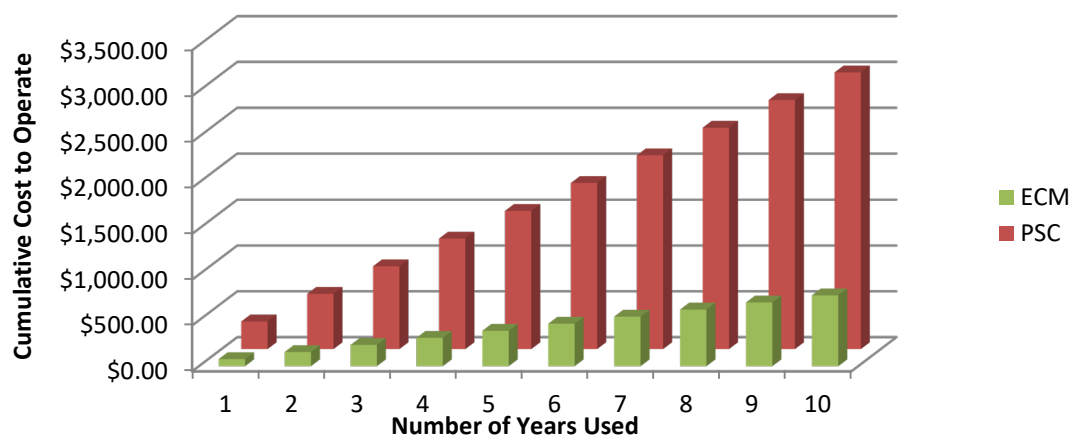
- Easy speed control by DC 0-10 V variation or EC style speed controller
- Motor has motor mounted potentiometer with digital readout for easy speed adjustment
- Unit can be controlled by a PC or building management system
- Motor has 80% usable turndown vs. 30% on a PSC motor
- Internal motor circuitry converts 115/230 V single phase AC power to DC voltage for increased efficiencies.
- Motor is 115/230 V and 50/60 Hz
- cULus 705 Listing

### Energy Savings = \$ Savings

#### STXD/STXDe with 1/2 HP Motor - Continuous Ventilation



#### Cost to Operate Motors @ 650 RPM Continuous Ventilation





## Constant Pressure Control Options

**Constant Pressure Controls:** For constant pressure control applications, the JencoFan constant pressure control package is available. This package includes the components that are needed to complete a demand-based exhaust ventilation system for kitchens, bathrooms, and/or clothes dryer exhaust in multi-story buildings.

JencoFan recognized that the programming procedure for many constant pressure controls can be challenging, so this package is the simplest system available. The control box can be easily installed in the field, either mounted on a curb or inside the building. The backlit LCD display and pressure transducer are pre-programmed to work together to increase or reduce the speed of the fan to accommodate for the actual demand.

**Potentiometer Shipped Loose:** If a variable rate that is manually changed by the operator from the occupied space is desired, the potentiometer is shipped loose and field installed in the appropriate accessible location. Simply rotating the dial will vary the speed of the fan from 20% to 100% full speed.



**Control Box**



**Sensor**



**Potentiometer**



## **CONSTRUCTION/SPECIFICATION CHECKLIST**

### **Housing**

- Curb cap with integral deep single piece spun inlet for efficient performance and prevention of leakage into ductwork.
- Heavy-gauge aluminum housing and curb cap for strength and rigidity. Curb cap is galvanized steel on all UL762 units.
- Stainless steel exterior fasteners.
- Enclosed, ventilated motor compartment isolates motor from exhaust air.
- Neoprene isolators for reduction of vibration and sound.
- Quick-Release latches on motor cover for easy access to motor compartment.
- Water-tight conduit tube for easy electrical connection without having to wire through the breather tube.
- NFPA - Model STXD is suitable for National Fire Protection Association installations. Contact factory for required accessories.

### **Centrifugal Wheel**

- All aluminum wheel.
- Backward-inclined for efficiency at higher static pressure.
- Non-overloading for safe operation in ducted systems.
- Curved blades for efficiency and quiet operation.
- Dynamically balanced for smooth operation.

### **Speed Controllable Motors (STXD)**

- Brands are nationally recognized and locally serviced.
- Standard motors are single speed, speed controllable and drip-proof.
- All motors are rated for continuous duty.
- Disconnect switch is standard with drip-proof motors.
- Heavy-gauge steel motor brackets designed for maximum strength.

### **Electronically Commutated Motors (STXDe)**

- Brands are nationally recognized and locally serviced.
- Easy speed control by DC 0-10 V variation.
- Motor has motor mounted potentiometer with digital readout for easy speed adjustment.
- Can be controlled by a PC or building management system.
- Motor has 80% usable turndown vs. 30% on a PSC motor.
- Internal motor circuitry converts 115/230 V single phase AC power to DC voltage for increased efficiencies.
- All motors are rated for continuous duty.
- Motor is 115/230V and 50/60 Hz.
- Disconnect is standard.
- Motors ship mounted as standard.

### **AMCA Seal**

- Assures accuracy of Air and Sound Performance.

### **cULus Label**

- cULus 705 Listed Power Roof Ventilator label assures electrical reliability.





**SIZE 6**

Motor HP		RPM		Static Pressure in Inches w.g.								
				0	.125	.25	.375	.5	.625	.75		
STXD6C 1/10 HP 1550 RPM	STXD <sub>e</sub> 6C 1/3 HP 1750 RPM	900	CFM	125	92	-	-	-	-	-		
			BHP	0.01	0.01	-	-	-	-	-		
			Sones	2.1	1.7	-	-	-	-	-		
		1050	CFM	145	119	81	-	-	-	-		
			BHP	0.01	0.01	0.01	-	-	-	-		
			Sones	3.1	2.6	2.7	-	-	-	-		
		1200	CFM	166	144	117	61	-	-	-		
			BHP	0.01	0.02	0.02	0.02	-	-	-		
			Sones	4.2	3.7	3.6	3.8	-	-	-		
		1350	CFM	187	168	145	116	56	-	-		
			BHP	0.02	0.02	0.02	0.03	0.03	-	-		
			Sones	5.4	4.9	4.8	4.8	5.0	-	-		
		1500	CFM	208	190	170	149	119	58	-		
			BHP	0.03	0.03	0.03	0.03	0.04	0.04	-		
			Sones	6.6	6.1	5.9	5.9	6.0	6.2	-		
		1650	CFM	225	208	191	172	149	115	56		
			BHP	0.04	0.04	0.04	0.04	0.04	0.05	0.04		
			Sones	7.5	7.1	6.9	6.8	6.8	6.9	7.1		
		STXD6 1/10 HP 1550 RPM	STXD <sub>e</sub> 6 1/3 HP 1750 RPM	900	CFM	170	123	-	-	-	-	-
					BHP	0.01	0.01	-	-	-	-	-
					Sones	2.1	1.8	-	-	-	-	-
				1050	CFM	199	160	95	-	-	-	-
					BHP	0.01	0.01	0.01	-	-	-	-
					Sones	3.0	2.7	2.8	-	-	-	-
1200	CFM			227	195	153	71	-	-	-		
	BHP			0.01	0.02	0.02	0.02	-	-	-		
	Sones			4.2	3.7	3.6	3.8	-	-	-		
1350	CFM			255	228	194	147	65	-	-		
	BHP			0.02	0.02	0.02	0.03	0.03	-	-		
	Sones			5.3	5.0	4.8	4.9	5.0	-	-		
1500	CFM			284	259	230	196	143	68	-		
	BHP			0.03	0.03	0.03	0.03	0.04	0.04	-		
	Sones			6.6	6.3	6.1	5.9	6.1	6.2	-		
1650	CFM			308	285	259	231	194	133	68		
	BHP			0.03	0.04	0.04	0.04	0.05	0.05	0.05		
	Sones			7.5	7.2	7.0	6.9	6.9	7.0	7.1		

(1) Models STXD6/STXD<sub>e</sub>6 and STXD6C/STXD<sub>e</sub>6C have choke plate. Performance certified is for installation type A-free inlet, free outlet. Performance ratings include the effects of birdscreen in the airstream.

The sound ratings shown are loudness values in fan sones @ 5' (1.5m) in a hemispherical free field calculated per AMCA Standard 301. Values shown are for Installation Type A: free inlet hemispherical sone levels.

Speed (RPM) shown is nominal. Performance is based on actual speed of test.

Fan RPM performances may vary from actual current motor offerings for any given model. See Optimizer2 fan selection software for current motor RPM offerings



JencoFan, Div. of Soler & Palau Ventilation Group, certifies that the Models STXD shown herein are licensed to bear the AMCA Seal. The ratings shown are based on test and procedures performed in accordance with AMCA Publication 211 and AMCA Publication 311 and comply with the requirement of the AMCA Certified Ratings Program.



**STXD & STXD<sub>e</sub>:**  
**STANDARD 705 for Electrical**  
**STXD:**  
**STANDARD 762 for Grease Removal**



**SIZE 7**

Motor HP		RPM		Static Pressure in Inches w.g.						
				0	.125	.25	.375	.5	.625	.75
STXD 1/10 HP 1550 RPM	STXD <sub>e</sub> 1/3 HP 1750 RPM	900	CFM	242	150	-	-	-	-	-
			BHP	0.00	0.01	-	-	-	-	-
			Sones	2.4	1.9	-	-	-	-	-
		1050	CFM	283	209	104	-	-	-	-
			BHP	0.01	0.01	0.01	-	-	-	-
			Sones	3.3	2.7	3.1	-	-	-	-
		1200	CFM	323	261	182	83	-	-	-
			BHP	0.01	0.01	0.02	0.02	-	-	-
			Sones	4.2	3.7	3.8	4.2	-	-	-
		1350	CFM	363	310	244	163	78	-	-
			BHP	0.01	0.02	0.02	0.02	0.02	-	-
			Sones	5.3	4.9	4.8	5.1	5.5	-	-
		1500	CFM	404	356	302	236	155	82	-
			BHP	0.02	0.02	0.03	0.03	0.03	0.03	-
			Sones	6.5	6.1	6.0	6.0	6.3	6.7	-
		1650	CFM	437	394	345	287	223	145	80
			BHP	0.02	0.03	0.03	0.04	0.04	0.04	0.04
			Sones	7.7	7.1	6.9	6.8	7.0	7.3	7.8

Performance certified is for installation type A-free inlet, free outlet. Performance ratings include the effects of birdscreen in the airstream.

The sound ratings shown are loudness values in fan sones @ 5' (1.5m) in a hemispherical free field calculated per AMCA Standard 301. Values shown are for Installation Type A: free inlet hemispherical sone levels.

Speed (RPM) shown is nominal. Performance is based on actual speed of test.

Fan RPM performances may vary from actual current motor offerings for any given model. See Optimizer2 fan selection software for current motor RPM offerings



JencoFan, Div. of Soler & Palau Ventilation Group, certifies that the Models STXD shown herein are licensed to bear the AMCA Seal. The ratings shown are based on test and procedures performed in accordance with AMCA Publication 211 and AMCA Publication 311 and comply with the requirement of the AMCA Certified Ratings Program.



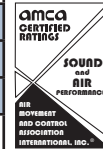
**STXD & STXD<sub>e</sub>:**  
**STANDARD 705 for Electrical**  
**STXD:**  
**STANDARD 762 for Grease Removal**



**SIZE 8**

Motor HP	RPM		Static Pressure in Inches w.g.							
			0	.125	.25	.375	.5	.625	.75	.875
STXD 1/25 HP 1050 RPM	700	CFM	379	205	-	-	-	-	-	-
		BHP	0.01	0.01	-	-	-	-	-	-
		Sones	2.3	1.6	-	-	-	-	-	-
	850	CFM	460	342	-	-	-	-	-	-
		BHP	0.01	0.02	-	-	-	-	-	-
		Sones	3.4	3.1	-	-	-	-	-	-
	1000	CFM	542	446	307	-	-	-	-	-
		BHP	0.02	0.02	0.03	-	-	-	-	-
		Sones	4.9	4.5	3.9	-	-	-	-	-
	1150	CFM	612	531	427	-	-	-	-	-
		BHP	0.03	0.03	0.04	-	-	-	-	-
		Sones	6.6	6.0	5.7	-	-	-	-	-
STXD 1/10 HP 1550 RPM	1200	CFM	680	587	465	302	-	-	-	-
		BHP	0.03	0.04	0.05	0.04	-	-	-	-
		Sones	6.6	5.8	5.1	4.8	-	-	-	-
	1250	CFM	708	620	507	366	-	-	-	-
		BHP	0.03	0.04	0.05	0.05	-	-	-	-
		Sones	7.1	6.4	5.5	5.3	-	-	-	-
	1300	CFM	736	653	550	421	228	-	-	-
		BHP	0.04	0.05	0.06	0.06	0.05	-	-	-
		Sones	7.7	6.9	6.1	5.8	5.6	-	-	-
	1350	CFM	765	686	591	469	299	-	-	-
		BHP	0.04	0.05	0.06	0.07	0.06	-	-	-
		Sones	8.3	7.5	6.7	6.3	6.1	-	-	-
	1400	CFM	793	717	628	512	368	174	-	-
		BHP	0.05	0.06	0.07	0.08	0.07	0.05	-	-
		Sones	8.9	8.1	7.3	6.8	6.6	6.5	-	-
	1450	CFM	821	749	663	554	430	250	-	-
		BHP	0.05	0.06	0.08	0.08	0.08	0.06	-	-
		Sones	9.5	8.7	8.0	7.3	7.1	7.0	-	-
1500	CFM	850	780	697	594	485	321	-	-	
	BHP	0.06	0.07	0.08	0.09	0.09	0.08	-	-	
	Sones	10.2	9.5	8.6	7.8	7.7	7.5	-	-	
1550	CFM	878	811	731	637	533	391	216	-	
	BHP	0.06	0.08	0.09	0.10	0.10	0.09	0.07	-	
	Sones	10.8	9.9	9.2	8.2	8.0	7.9	7.8	-	
1600	CFM	906	842	765	680	577	456	291	-	
	BHP	0.07	0.08	0.10	0.11	0.11	0.11	0.09	-	
	Sones	11.2	10.4	9.8	8.7	8.4	8.3	8.2	-	
1650	CFM	877	810	729	636	531	389	213	-	
	BHP	0.06	0.08	0.09	0.10	0.10	0.09	0.07	-	
	Sones	11.7	10.9	10.3	9.3	8.8	8.7	8.6	-	
STXD 1/4 HP 1625 RPM	1700	CFM	904	849	797	736	669	586	443	182
		BHP	0.09	0.10	0.11	0.12	0.12	0.13	0.12	0.08
		Sones	10.8	10.5	10.3	9.7	9.2	8.8	8.3	8.0
	1750	CFM	935	881	832	773	712	636	536	312
		BHP	0.09	0.11	0.12	0.13	0.13	0.14	0.14	0.11
		Sones	11.4	10.9	10.8	10.2	9.7	9.2	8.8	8.4

STXDe  
1/3 HP  
1750 RPM



JencoFan, Div. of Soler & Palau Ventilation Group, certifies that the Models STXD shown herein are licensed to bear the AMCA Seal. The ratings shown are based on test and procedures performed in accordance with AMCA Publication 211 and AMCA Publication 311 and comply with the requirement of the AMCA Certified Ratings Program.



STXD & STXDe:  
STANDARD 705 for Electrical  
STXD:  
STANDARD 762 for Grease Removal

Performance certified is for installation type A-free inlet, free outlet. Performance ratings include the effects of birdscreen in the airstream.

The sound ratings shown are loudness values in fan sones @ 5' (1.5m) in a hemispherical free field calculated per AMCA Standard 301. Values shown are for Installation Type A: free inlet hemispherical sone levels.

Speed (RPM) shown is nominal. Performance is based on actual speed of test.

Fan RPM performances may vary from actual current motor offerings for any given model. See Optimizer2 fan selection software for current motor RPM offerings



**SIZE 10**

Motor HP	RPM		Static Pressure in Inches w.g.								
			0	.125	.25	.375	.5	.625	.75	.875	1
STXD 1/4 HP 1075 RPM	700	CFM	587	410	-	-	-	-	-	-	-
		BHP	0.02	0.03	-	-	-	-	-	-	-
		Sones	3.2	2.4	-	-	-	-	-	-	-
	850	CFM	712	575	377	-	-	-	-	-	-
		BHP	0.04	0.04	0.05	-	-	-	-	-	-
		Sones	4.8	4.1	3.5	-	-	-	-	-	-
	1000	CFM	838	726	591	360	-	-	-	-	-
		BHP	0.06	0.07	0.08	0.07	-	-	-	-	-
		Sones	6.5	5.8	5.4	4.8	-	-	-	-	-
	1150	CFM	979	886	777	657	452	-	-	-	-
		BHP	0.09	0.10	0.11	0.12	0.12	-	-	-	-
		Sones	8.4	7.7	7.2	6.8	6.3	-	-	-	-
STXD 1/3 HP 1625 RPM	1200	CFM	1005	914	810	693	533	-	-	-	-
		BHP	0.07	0.08	0.09	0.09	0.09	-	-	-	-
		Sones	7.9	7.5	7.2	6.9	6.7	-	-	-	-
	1250	CFM	1046	960	861	753	620	355	-	-	-
		BHP	0.08	0.09	0.10	0.10	0.11	0.10	-	-	-
		Sones	8.5	8.1	7.8	7.5	7.3	7.1	-	-	-
	1300	CFM	1088	1006	911	811	691	499	-	-	-
		BHP	0.09	0.10	0.11	0.12	0.12	0.12	-	-	-
		Sones	9.1	8.7	8.4	8.1	7.9	7.7	-	-	-
	1350	CFM	1130	1051	960	866	756	613	324	-	-
		BHP	0.10	0.11	0.12	0.13	0.13	0.13	0.12	-	-
		Sones	9.8	9.4	9.1	8.8	8.5	8.3	8.2	-	-
1400	CFM	1172	1096	1010	920	818	697	481	-	-	
	BHP	0.12	0.12	0.13	0.14	0.15	0.15	0.14	-	-	
	Sones	10.5	10.1	9.7	9.4	9.2	9.0	8.8	-	-	
1450	CFM	1214	1141	1059	972	877	767	609	322	-	
	BHP	0.13	0.13	0.14	0.15	0.16	0.17	0.16	0.14	-	
	Sones	11.2	10.8	10.4	10.2	9.9	9.7	9.5	9.3	-	
1500	CFM	1256	1186	1107	1023	935	834	710	484	-	
	BHP	0.14	0.15	0.16	0.17	0.18	0.18	0.18	0.17	-	
	Sones	11.9	11.5	11.2	10.9	10.7	10.4	10.2	10.0	-	
1550	CFM	1298	1230	1155	1073	991	896	788	620	344	
	BHP	0.16	0.16	0.17	0.18	0.19	0.20	0.20	0.20	0.17	
	Sones	12.4	12.1	11.7	11.4	11.2	11.0	10.8	10.6	10.4	
1600	CFM	1340	1275	1202	1123	1045	955	856	731	507	
	BHP	0.17	0.18	0.19	0.20	0.21	0.22	0.22	0.22	0.21	
	Sones	13.0	12.6	12.2	12.0	11.7	11.5	11.3	11.1	10.9	
1650	CFM	1381	1319	1249	1173	1097	1014	922	815	645	
	BHP	0.19	0.19	0.20	0.22	0.23	0.24	0.24	0.25	0.24	
	Sones	13.6	13.2	12.8	12.5	12.3	12.0	11.8	11.7	11.5	
1700	CFM	1445	1385	1319	1248	1175	1100	1015	922	809	
	BHP	0.22	0.22	0.23	0.24	0.26	0.27	0.27	0.28	0.28	
	Sones	14.2	13.8	13.4	13.1	12.8	12.6	12.4	12.2	12.0	



JencoFan, Div. of Soler & Palau Ventilation Group, certifies that the Models STXD shown herein are licensed to bear the AMCA Seal. The ratings shown are based on test and procedures performed in accordance with AMCA Publication 211 and AMCA Publication 311 and comply with the requirement of the AMCA Certified Ratings Program.



STXD & STXDe:  
**STANDARD 705 for Electrical**  
**STXD:**  
**STANDARD 762 for Grease Removal**  
 Performance certified is for installation type A-free inlet, free outlet. Performance ratings include the effects of birdscreen in the airstream.

The sound ratings shown are loudness values in fan sones @ 5' (1.5m) in a hemispherical free field calculated per AMCA Standard 301. Values shown are for Installation Type A: free inlet hemispherical sone levels.

Speed (RPM) shown is nominal. Performance is based on actual speed of test.

Fan RPM performances may vary from actual current motor offerings for any given model. See Optimizer2 fan selection software for current motor RPM offerings



**SIZE 12**

Motor HP	RPM		Static Pressure in Inches w.g.										
			0	.125	.25	.375	.5	.625	.75	.875	1	1.25	
STXD 1/4 HP 1075 RPM	900	CFM	998	833	642	-	-	-	-	-	-	-	-
		BHP	0.05	0.06	0.07	-	-	-	-	-	-	-	-
		Sones	5.7	5.3	5.0	-	-	-	-	-	-	-	-
	950	CFM	1053	897	729	470	-	-	-	-	-	-	-
		BHP	0.06	0.08	0.08	0.08	-	-	-	-	-	-	-
		Sones	6.2	5.9	5.7	5.3	-	-	-	-	-	-	-
	1000	CFM	1109	959	808	601	-	-	-	-	-	-	-
		BHP	0.08	0.09	0.09	0.10	-	-	-	-	-	-	-
		Sones	6.8	6.5	6.3	5.9	-	-	-	-	-	-	-
	1050	CFM	1164	1021	883	697	-	-	-	-	-	-	-
		BHP	0.09	0.10	0.11	0.11	-	-	-	-	-	-	-
		Sones	7.4	7.2	6.9	6.6	-	-	-	-	-	-	-
	1100	CFM	1220	1083	953	782	552	-	-	-	-	-	-
		BHP	0.10	0.11	0.12	0.13	0.13	-	-	-	-	-	-
		Sones	8.1	7.8	7.6	7.3	6.9	-	-	-	-	-	-
	1150	CFM	1284	1155	1031	883	701	-	-	-	-	-	-
		BHP	0.12	0.13	0.14	0.15	0.15	-	-	-	-	-	-
		Sones	8.7	8.5	8.2	7.9	7.6	-	-	-	-	-	-
STXD 1/2 HP 1625 RPM	1200	CFM	1337	1218	1091	955	795	524	-	-	-	-	
		BHP	0.10	0.11	0.12	0.13	0.14	0.13	-	-	-	-	
		Sones	8.8	8.5	8.2	7.7	7.5	7.3	-	-	-	-	
	1250	CFM	1393	1278	1157	1030	883	681	-	-	-	-	
		BHP	0.11	0.12	0.13	0.14	0.15	0.15	-	-	-	-	
		Sones	9.5	9.2	8.9	8.4	8.1	7.9	-	-	-	-	
	1300	CFM	1449	1338	1223	1103	967	806	522	-	-	-	
		BHP	0.12	0.14	0.15	0.16	0.17	0.17	0.16	-	-	-	
		Sones	10.2	9.9	9.6	9.1	8.8	8.6	8.4	-	-	-	
	1350	CFM	1505	1397	1288	1174	1047	904	690	-	-	-	
		BHP	0.14	0.15	0.17	0.18	0.19	0.19	0.19	-	-	-	
		Sones	10.9	10.6	10.2	9.9	9.5	9.3	9.0	-	-	-	
	1400	CFM	1560	1456	1353	1242	1125	991	828	-	-	-	
		BHP	0.15	0.17	0.18	0.20	0.21	0.21	0.22	-	-	-	
		Sones	11.6	11.3	11.0	10.6	10.2	10.0	9.8	-	-	-	
	1450	CFM	1616	1515	1417	1310	1200	1076	936	-	-	-	
		BHP	0.17	0.19	0.20	0.21	0.23	0.23	0.24	-	-	-	
		Sones	12.4	12.1	11.7	11.4	11.0	10.8	10.5	-	-	-	
	1500	CFM	1672	1573	1481	1376	1273	1156	1028	863	-	-	
		BHP	0.19	0.20	0.22	0.23	0.25	0.26	0.26	0.26	-	-	
		Sones	13.1	12.8	12.5	12.1	11.8	11.5	11.3	11.1	-	-	
	1550	CFM	1727	1632	1543	1442	1343	1234	1114	979	769	-	
		BHP	0.21	0.22	0.24	0.26	0.27	0.28	0.29	0.29	0.29	-	
		Sones	13.8	13.4	13.1	12.7	12.4	12.1	11.9	11.7	11.5	-	
1600	CFM	1783	1690	1605	1508	1412	1310	1197	1075	913	-		
	BHP	0.23	0.25	0.26	0.28	0.29	0.30	0.31	0.32	0.32	-		
	Sones	14.4	14.0	13.7	13.4	13.1	12.7	12.5	12.3	12.1	-		
1650	CFM	1839	1748	1665	1573	1480	1384	1277	1162	1032	-		
	BHP	0.25	0.27	0.29	0.30	0.32	0.33	0.34	0.35	0.35	-		
	Sones	15.0	14.7	14.3	14.0	13.7	13.4	13.1	12.9	12.7	-		
1700	CFM	1918	1831	1751	1665	1574	1485	1387	1282	1168	822		
	BHP	0.28	0.30	0.32	0.34	0.35	0.37	0.38	0.39	0.40	0.39		
	Sones	15.6	15.3	15.0	14.7	14.3	14.0	13.7	13.5	13.3	13.0		



JencoFan, Div. of Soler & Palau Ventilation Group, certifies that the Models STXD shown herein are licensed to bear the AMCA Seal. The ratings shown are based on test and procedures performed in accordance with AMCA Publication 211 and AMCA Publication 311 and comply with the requirement of the AMCA Certified Ratings Program.



**STXD & STXDe:**  
**STANDARD 705 for Electrical**  
**STXD:**  
**STANDARD 762 for Grease Removal**

Performance certified is for installation type A-free inlet, free outlet. Performance ratings include the effects of birdscreen in the airstream.

The sound ratings shown are loudness values in fan sones @ 5' (1.5m) in a hemispherical free field calculated per AMCA Standard 301. Values shown are for Installation Type A: free inlet hemispherical sone levels.

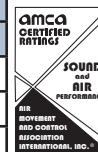
Speed (RPM) shown is nominal. Performance is based on actual speed of test.

Fan RPM performances may vary from actual current motor offerings for any given model. See Optimizer2 fan selection software for current motor RPM offerings



SIZE 14

Motor HP	RPM		Static Pressure in Inches w.g.											
			0	.125	.25	.375	.5	.625	.75	.875	1	1.25	1.5	
STXD 1/4 HP 1075 RPM	750	CFM	1479	1246	930	-	-	-	-	-	-	-	-	-
		BHP	0.07	0.08	0.09	-	-	-	-	-	-	-	-	-
		Sones	6.4	5.7	5.1	-	-	-	-	-	-	-	-	-
	850	CFM	1677	1481	1240	868	-	-	-	-	-	-	-	-
		BHP	0.10	0.12	0.12	0.12	-	-	-	-	-	-	-	-
		Sones	8.1	7.4	6.7	6.3	-	-	-	-	-	-	-	-
	950	CFM	1874	1702	1500	1244	-	-	-	-	-	-	-	-
		BHP	0.14	0.16	0.17	0.17	-	-	-	-	-	-	-	-
		Sones	10.0	9.3	8.5	8.0	-	-	-	-	-	-	-	-
	1100	CFM	2148	1998	1830	1651	1411	1077	-	-	-	-	-	-
		BHP	0.21	0.23	0.25	0.26	0.26	0.25	-	-	-	-	-	-
		Sones	13.2	12.4	11.7	11.0	10.5	10.2	-	-	-	-	-	-
STXD 3/4 HP 1650 RPM	1,150	CFM	2195	2076	1950	1808	1659	1475	1201	-	-	-	-	
		BHP	0.25	0.27	0.30	0.32	0.34	0.35	0.34	-	-	-	-	
		Sones	12.1	11.8	11.5	11.1	10.5	10.0	10.7	-	-	-	-	
	1,200	CFM	2290	2177	2058	1923	1784	1625	1447	-	-	-	-	
		BHP	0.29	0.31	0.33	0.36	0.38	0.40	0.40	-	-	-	-	
		Sones	13.1	12.8	12.5	12.1	11.6	11.1	11.2	-	-	-	-	
	1,250	CFM	2386	2277	2165	2037	1904	1762	1585	1354	-	-	-	
		BHP	0.32	0.35	0.37	0.40	0.42	0.44	0.45	0.44	-	-	-	
		Sones	14.0	13.7	13.5	13.2	12.6	12.2	11.7	12.5	-	-	-	
	1,300	CFM	2481	2376	2269	2149	2022	1891	1738	1575	-	-	-	
		BHP	0.36	0.39	0.42	0.44	0.47	0.49	0.51	0.51	-	-	-	
		Sones	15.1	14.8	14.5	14.2	13.8	13.3	12.8	13.0	-	-	-	
	1,350	CFM	2576	2476	2373	2260	2139	2015	1879	1712	1524	-	-	
		BHP	0.41	0.43	0.46	0.49	0.52	0.54	0.56	0.57	0.56	-	-	
		Sones	16.2	15.9	15.6	15.3	14.9	14.5	14.0	13.6	14.4	-	-	
	1,400	CFM	2672	2575	2477	2370	2254	2135	2011	1865	1715	-	-	
		BHP	0.45	0.48	0.51	0.54	0.57	0.59	0.62	0.63	0.63	-	-	
		Sones	17.2	16.9	16.7	16.4	16.1	15.6	15.2	14.8	15.0	-	-	
	1,450	CFM	2767	2674	2579	2478	2367	2253	2136	2007	1851	1252	-	
		BHP	0.50	0.53	0.56	0.59	0.62	0.65	0.68	0.70	0.71	0.63	-	
		Sones	18.3	18.0	17.7	17.5	17.2	16.8	16.4	16.0	15.6	17.2	-	
	1,500	CFM	2863	2772	2681	2585	2479	2370	2258	2140	2003	1653	-	
		BHP	0.56	0.59	0.62	0.65	0.68	0.71	0.74	0.76	0.78	0.77	-	
		Sones	19.5	19.2	18.9	18.6	18.3	18.0	17.6	17.2	16.9	17.8	-	
1,550	CFM	2958	2871	2782	2691	2590	2485	<b>2377</b>	<b>2267</b>	<b>2145</b>	<b>1871</b>	-		
	BHP	0.62	0.64	0.68	0.71	0.74	0.77	<b>0.80</b>	<b>0.83</b>	<b>0.85</b>	<b>0.86</b>	-		
	Sones	20.3	20.0	19.7	19.5	19.2	18.9	<b>18.5</b>	<b>18.1</b>	<b>17.8</b>	<b>18.0</b>	-		
1,600	CFM	3054	2969	2883	2796	<b>2700</b>	<b>2598</b>	<b>2495</b>	<b>2390</b>	<b>2279</b>	<b>2008</b>	<b>1481</b>		
	BHP	0.68	0.71	0.74	0.77	<b>0.81</b>	<b>0.84</b>	<b>0.87</b>	<b>0.90</b>	<b>0.93</b>	<b>0.95</b>	<b>0.88</b>		
	Sones	21.2	21.0	20.7	20.5	<b>20.2</b>	<b>19.9</b>	<b>19.5</b>	<b>19.1</b>	<b>18.7</b>	<b>18.1</b>	<b>19.9</b>		
1,650	CFM	3149	3067	<b>2984</b>	<b>2900</b>	<b>2809</b>	<b>2711</b>	<b>2612</b>	<b>2510</b>	<b>2406</b>	<b>2159</b>	<b>1849</b>		
	BHP	0.74	0.77	<b>0.81</b>	<b>0.84</b>	<b>0.87</b>	<b>0.91</b>	<b>0.94</b>	<b>0.97</b>	<b>1.00</b>	<b>1.04</b>	<b>1.03</b>		
	Sones	22.2	21.9	<b>21.6</b>	<b>21.3</b>	<b>21.1</b>	<b>20.8</b>	<b>20.4</b>	<b>20.0</b>	<b>19.7</b>	<b>18.9</b>	<b>20.0</b>		
STXD 1 HP 1725 RPM	1,725	CFM	3426	3352	3272	3188	3099	3002	2899	2794	2686	2448	2125	
		BHP	0.65	0.67	0.69	0.72	0.76	0.79	0.81	0.83	0.86	0.89	0.89	
		Sones	23.9	23.1	22.2	21.5	21.1	20.7	20.4	20.1	19.9	19.3	18.8	



JencoFan, Div. of Soler & Palau Ventilation Group, certifies that the Models STXD shown herein are licensed to bear the AMCA Seal. The ratings shown are based on test and procedures performed in accordance with AMCA Publication 211 and AMCA Publication 311 and comply with the requirement of the AMCA Certified Ratings Program.



STXD & STXDe:  
STANDARD 705 for Electrical  
STXD:  
STANDARD 762 for Grease Removal

Performance certified is for installation type A-free inlet, free outlet. Performance ratings include the effects of birdscreen in the airstream.

The sound ratings shown are loudness values in fan sones @ 5' (1.5m) in a hemispherical free field calculated per AMCA Standard 301. Values shown are for Installation Type A: free inlet hemispherical sone levels.

Speed (RPM) shown is nominal. Performance is based on actual speed of test.

Fan RPM performances may vary from actual current motor offerings for any given model. See Optimizer2 fan selection software for current motor RPM offerings

Numbers shown in bold font are only achievable by the SDBDe 1 HP model with EC motor.



**SIZE 15 - 1/2 HP**

Motor HP	RPM		Static Pressure in Inches w.g.											
			0	.125	.25	.375	.5	.625	.75	.875	1	1.25	1.5	1.75
STXD 1/2 HP 1140 RPM	750	CFM	1719	1515	1258	800	-	-	-	-	-	-	-	-
		BHP	0.08	0.09	0.10	0.10	-	-	-	-	-	-	-	-
		Sones	6.8	6.1	5.4	4.8	-	-	-	-	-	-	-	-
	800	CFM	1834	1647	1404	1124	-	-	-	-	-	-	-	-
		BHP	0.10	0.11	0.12	0.13	-	-	-	-	-	-	-	-
		Sones	7.6	7.0	6.2	5.7	-	-	-	-	-	-	-	-
	850	CFM	1948	1772	1548	1315	-	-	-	-	-	-	-	-
		BHP	0.11	0.13	0.14	0.15	-	-	-	-	-	-	-	-
		Sones	8.5	7.9	7.1	6.5	-	-	-	-	-	-	-	-
	900	CFM	2063	1895	1691	1484	1194	-	-	-	-	-	-	-
		BHP	0.14	0.16	0.17	0.18	0.19	-	-	-	-	-	-	-
		Sones	9.4	8.7	8.1	7.4	6.9	-	-	-	-	-	-	-
	950	CFM	2178	2016	1833	1634	1398	-	-	-	-	-	-	-
		BHP	0.16	0.18	0.19	0.21	0.22	-	-	-	-	-	-	-
		Sones	10.3	9.7	9.1	8.4	7.9	-	-	-	-	-	-	-
	1000	CFM	2292	2137	1974	1778	1584	1301	-	-	-	-	-	-
		BHP	0.19	0.21	0.22	0.24	0.25	0.25	-	-	-	-	-	-
		Sones	11.3	10.7	10.1	9.4	8.8	8.4	-	-	-	-	-	-
	1050	CFM	2407	2256	2113	1922	1747	1514	-	-	-	-	-	-
		BHP	0.22	0.24	0.26	0.27	0.29	0.29	-	-	-	-	-	-
		Sones	12.4	11.8	11.2	10.5	9.8	9.4	-	-	-	-	-	-
	1100	CFM	2522	2375	2248	2065	1896	1707	1451	-	-	-	-	-
		BHP	0.25	0.27	0.29	0.31	0.32	0.33	0.34	-	-	-	-	-
		Sones	13.4	12.9	12.3	11.6	11.0	10.4	9.9	-	-	-	-	-
1150	CFM	2643	2501	2384	2215	2048	1887	1670	1298	-	-	-	-	
	BHP	0.29	0.31	0.33	0.35	0.37	0.38	0.39	0.38	-	-	-	-	
	Sones	14.6	14.0	13.5	12.8	12.1	11.5	11.0	10.6	-	-	-	-	

Performance certified is for installation type A-free inlet, free outlet.  
 Performance ratings do not include the effects of birdscreen in the airstream.  
 The sound ratings shown are loudness values in fan sones @ 5' (1.5m) in a hemispherical free field calculated per AMCA Standard 301. Values shown are for Installation Type A-free inlet fan sone levels.

Speed (RPM) shown is nominal. Performance is based on actual speed of test.

Fan RPM performances may vary from actual current motor offerings for any given model. See Optisizer2 fan selection software for current motor RPM offerings.



JencoFan, Div. of Soler & Palau Ventilation Group, certifies that the Models STXD shown herein are licensed to bear the AMCA Seal. The ratings shown are based on test and procedures performed in accordance with AMCA Publication 211 and AMCA Publication 311 and comply with the requirement of the AMCA Certified Ratings Program.



**STXD & STXDe:**  
**STANDARD 705 for Electrical**  
**STXD:**  
**STANDARD 762 for Grease Removal**



**SIZE 15 - 3/4 & 1 HP**

Motor HP	RPM		Static Pressure in Inches w.g.											
			0	.125	.25	.375	.5	.625	.75	.875	1	1.25	1.5	1.75
STXD 3/4 HP 1650 RPM	1300	CFM	2658	2554	2452	2347	2226	2085	1938	1790	1578	-	-	-
		BHP	0.30	0.32	0.35	0.37	0.39	0.42	0.44	0.46	0.46	-	-	-
		Sones	15.5	15.0	14.5	14.1	13.6	13.2	12.9	12.5	12.3	-	-	-
	1350	CFM	2760	2660	2562	2462	2351	2220	2078	1943	1790	-	-	-
		BHP	0.34	0.36	0.38	0.41	0.44	0.46	0.48	0.50	0.52	-	-	-
		Sones	16.5	16.0	15.6	15.2	14.7	14.4	14.0	13.6	13.3	-	-	-
	1400	CFM	2862	2766	2671	2575	2473	2352	2218	2082	1947	1410	-	-
		BHP	0.38	0.40	0.42	0.45	0.48	0.50	0.52	0.55	0.57	0.54	-	-
		Sones	17.6	17.1	16.6	16.2	15.8	15.4	15.1	14.7	14.4	13.8	-	-
	1450	CFM	2965	2871	2780	2688	2592	2480	2354	2222	2096	1745	-	-
		BHP	0.42	0.44	0.47	0.49	0.52	0.55	0.57	0.60	0.62	0.63	-	-
		Sones	18.7	18.2	17.8	17.3	16.9	16.5	16.2	15.8	15.5	14.9	-	-
	1500	CFM	3067	2977	2888	2799	2708	2606	2488	2362	2235	1968	-	-
		BHP	0.46	0.49	0.51	0.54	0.57	0.60	0.62	0.65	0.68	0.71	-	-
		Sones	19.8	19.3	18.9	18.5	18.0	17.6	17.3	16.9	16.6	16.0	-	-
	1550	CFM	3169	3082	2996	2910	2823	2729	2618	2499	2375	2127	-	-
		BHP	0.51	0.53	0.56	0.59	0.62	0.65	0.68	0.70	0.73	0.78	-	-
		Sones	20.7	20.3	19.8	19.4	18.9	18.6	18.2	17.9	17.5	16.9	-	-
	1600	CFM	3271	3187	3103	3020	2936	2848	2746	2634	-	-	-	-
		BHP	0.56	0.59	0.61	0.64	0.68	0.71	0.73	0.76	-	-	-	-
		Sones	21.6	21.2	20.7	20.3	19.9	19.5	19.1	18.8	-	-	-	-
	1650	CFM	3374	3291	3210	3130	3049	2965	-	-	-	-	-	-
		BHP	0.61	0.64	0.67	0.70	0.73	0.76	-	-	-	-	-	-
		Sones	22.5	22.1	21.6	21.2	20.8	20.4	-	-	-	-	-	-
STXD 1-1/2 HP 1725 RPM	1750	CFM	3997	3900	3806	3717	3628	3535	3436	3336	3237	3027	2781	2492
		BHP	0.78	0.82	0.86	0.90	0.94	0.97	1.01	1.04	1.08	1.13	1.18	1.21
		Sones	26.2	25.7	25.2	24.7	24.5	24.2	23.8	23.4	23.0	22.3	21.9	21.6

Performance certified is for installation type A-free inlet, free outlet.  
 Performance ratings do not include the effects of birdscreen in the airstream.  
 The sound ratings shown are loudness values in fan sones @ 5' (1.5m) in a hemispherical free field calculated per AMCA Standard 301. Values shown are for Installation Type A-free inlet fan sone levels.

Speed (RPM) shown is nominal. Performance is based on actual speed of test.

Fan RPM performances may vary from actual current motor offerings for any given model. See Optimizer2 fan selection software for current motor RPM offerings.



JencoFan, Div. of Soler & Palau Ventilation Group, certifies that the Models STXD shown herein are licensed to bear the AMCA Seal. The ratings shown are based on test and procedures performed in accordance with AMCA Publication 211 and AMCA Publication 311 and comply with the requirement of the AMCA Certified Ratings Program.



**STXD & STXDe:**  
**STANDARD 705 for Electrical**  
**STXD:**  
**STANDARD 762 for Grease Removal**





**SIZE 16**

Motor HP	RPM		Static Pressure in Inches w.g.											
			0	.125	.25	.375	.5	.625	.75	.875	1	1.25	1.5	1.75
STXD 1/2 HP 1140 RPM	750	CFM	2108	1894	1633	1272	-	-	-	-	-	-	-	-
		BHP	0.11	0.13	0.14	0.14	-	-	-	-	-	-	-	-
		Sones	7.9	7.7	6.7	6.3	-	-	-	-	-	-	-	-
	800	CFM	2248	2048	1815	1515	-	-	-	-	-	-	-	-
		BHP	0.14	0.15	0.17	0.17	-	-	-	-	-	-	-	-
		Sones	8.6	8.4	7.6	7.0	-	-	-	-	-	-	-	-
	850	CFM	2389	2200	1989	1730	1375	-	-	-	-	-	-	-
		BHP	0.16	0.18	0.20	0.20	0.21	-	-	-	-	-	-	-
		Sones	9.4	9.3	8.5	7.6	7.6	-	-	-	-	-	-	-
	900	CFM	2529	2351	2159	1930	1637	-	-	-	-	-	-	-
		BHP	0.20	0.21	0.23	0.24	0.25	-	-	-	-	-	-	-
		Sones	10.1	9.9	9.3	8.5	8.2	-	-	-	-	-	-	-
	950	CFM	2670	2500	2324	2117	1865	1535	-	-	-	-	-	-
		BHP	0.23	0.25	0.27	0.28	0.29	0.29	-	-	-	-	-	-
		Sones	10.9	10.7	10.2	9.3	8.8	8.9	-	-	-	-	-	-
	1000	CFM	2810	2649	2486	2295	2074	1799	-	-	-	-	-	-
		BHP	0.27	0.29	0.31	0.33	0.33	0.34	-	-	-	-	-	-
		Sones	11.8	11.6	11.3	10.3	9.6	9.5	-	-	-	-	-	-
	1050	CFM	2951	2796	2645	2467	2270	2032	1739	-	-	-	-	-
		BHP	0.31	0.33	0.35	0.37	0.38	0.39	0.39	-	-	-	-	-
		Sones	12.7	12.5	12.3	11.4	10.6	10.1	10.3	-	-	-	-	-
	1100	CFM	3091	2944	2800	2636	2455	2245	1994	-	-	-	-	-
		BHP	0.36	0.38	0.40	0.42	0.44	0.44	0.45	-	-	-	-	-
		Sones	13.6	13.5	13.3	12.5	11.7	11.1	11.1	-	-	-	-	-
1150	CFM	3187	3043	2904	2749	2577	2383	2154	1877	-	-	-	-	
	BHP	0.39	0.41	0.44	0.46	0.48	0.48	0.49	0.49	-	-	-	-	
	Sones	14.6	14.4	14.2	13.7	12.9	12.4	12.0	12.2	-	-	-	-	
STXD 1-1/2 HP 1725 RPM	1750	CFM	4781	4687	4591	4494	4396	4295	4192	4084	3973	3737	3489	3175
		BHP	1.20	1.24	1.28	1.32	1.35	1.39	1.42	1.45	1.48	1.55	1.60	1.63
		Sones	29.3	29.3	29.2	29.1	29.1	29.0	28.6	27.8	27.2	25.9	24.7	24.2

Performance certified is for installation type A-free inlet, free outlet.  
Performance ratings do not include the effects of birdscreen in the airstream.  
The sound ratings shown are loudness values in fan sones @ 5' (1.5m) in a hemispherical free field calculated per AMCA Standard 301. Values shown are for Installation Type A-free inlet fan sone levels.

Speed (RPM) shown is nominal. Performance is based on actual speed of test.

Fan RPM performances may vary from actual current motor offerings for any given model. See Optisizer2 fan selection software for current motor RPM offerings



JencoFan, Div. of Soler & Palau Ventilation Group, certifies that the Models STXD shown herein are licensed to bear the AMCA Seal. The ratings shown are based on test and procedures performed in accordance with AMCA Publication 211 and AMCA Publication 311 and comply with the requirement of the AMCA Certified Ratings Program.



**STXD & STXDe:**  
**STANDARD 705 for Electrical**  
**STXD:**  
**STANDARD 762 for Grease Removal**