



## Model SMXD & SMXD-HT



Direct Drive Mixed Flow Fan

# *Advancing Ventilation*



# MODEL SMXD

## DIRECT DRIVE MIXED FLOW FAN



MODEL SMXD15 SHOWN

### MODEL FEATURES

- Rated up to 17,800 CFM in static pressure applications up to 5-1/2" w.g.
- 6 sizes ranging from 15 to 24" effective diameter wheels
- Continuously welded and epoxy coated steel housing
- For indoor use only
- AMCA Air and Sound Licensed
- cULus Listed

### MODEL OVERVIEW

Model SMXD mixed flow fans are inline ducted fans that can be used in exhaust, supply, or return air applications. Mixed flow fans act as a hybrid between axial and centrifugal fans. Meaning, they produce a lot of air such as axial fans, but they can handle higher pressures like centrifugal fans. When these technologies come together, the fan ends up being more efficient and quieter than similar tubular centrifugal fans.

S&P is taking efficiency a step further by focusing this design around efficient direct drive motors, which can be paired with AC drives to adjust fan speed. The ability to control the speed allows the fan to hit multiple fan selection points similar to how a belt drive fan would be applied. Another couple of advantages with this is the lack of transmission losses associated with belts, and less maintenance that is associated with belt drive units.

Mixed flow fans work great in many applications where high efficiency and low sound are a priority. Some of those include: parking garages, commercial buildings, warehouses, food retail centers, and educational buildings.

### CONSTRUCTION SPECIFICATIONS:

#### Fan Housing

- Heavy-gauge rolled steel construction
- Integral inlet and outlet flanges with mounting holes
- Standard bolted -wheel inspection door
- Continuously welded and epoxy coated
- 2 year fan housing warranty

#### Mixed Flow Wheel

- Steel wheel for light and heavy duty applications
- Designed using CFD to contour blades for the quietest and most efficient performance possible

#### Motors

- One year motor warranty
- Brands are nationally recognized and locally serviced
- TEFC is standard, and all motors can be paired with an AC drive
- 208-230/460V or 575V available
- Select 3-phase motors can be paired with a single phase input – three phase output AC drive

#### Certifications

- AMCA Air and Sound Certified
- cULus 705 Listed

**Industry best 2 year fan housing warranty, 1 year motor warranty**

## OPTIONS/ACCESSORIES

### ECOWATT-DRIVE (AC Drive)

- Set just 4 parameters to get your fan started
- Plug-in options for advanced control
- Dual Safe Torque Off (STO)
- Equipped with the latest energy saving features
- Up to 180% overload for high torque applications
- On board PLC
- Straightforward installation and commissioning
- Easy motor pairing and performance control
- Robust and reliable design

**Disconnect Switch:** Non-fused safety disconnect available for all motor sizes.

**Hanging & Floor Brackets:** For base or ceiling mounting. Neoprene and spring isolators are available.

**Mounting Rails:** Designed for vertical and horizontal mounting. Rail kits include mounting brackets.

**Inlet/Outlet Guard:** Prevents objects from entering the fan inlet or outlet. Includes companion flange.

**Companion Flanges:** Inlet and/or outlet flanges are available for duct connection.

---

## SMXD-HT

The SMXD is available as the SMXD-HT, and it is UL Certified to ventilate heat and smoke in emergencies [500°F (260°C) for 6 hours and 572°F (300°C) for 2 hours].

The SMXD-HT is equipped with high temperature features such as high temperature wiring and ceramic wire nuts.

# PERFORMANCE

## SMXD15

MODEL SMXD	CFM	OV		Static Pressure in Inches w.g.												
				1/4	3/8	1/2	5/8	3/4	7/8	1	1-1/4	1-1/2	1-3/4	2		
15	1300	491	RPM	673	750	843	-	-	-	-	-	-	-	-	-	-
			BHP	0.08	0.12	0.17	-	-	-	-	-	-	-	-	-	-
			SONES	4.0	4.9	6.1	-	-	-	-	-	-	-	-	-	-
	1500	566	RPM	735	798	866	944	-	-	-	-	-	-	-	-	-
			BHP	0.11	0.14	0.18	0.23	-	-	-	-	-	-	-	-	-
			SONES	4.9	5.5	6.3	7.3	-	-	-	-	-	-	-	-	-
	1700	642	RPM	802	857	913	972	1038	-	-	-	-	-	-	-	-
			BHP	0.14	0.17	0.21	0.25	0.31	-	-	-	-	-	-	-	-
			SONES	5.8	6.3	7.0	7.7	8.6	-	-	-	-	-	-	-	-
	1900	717	RPM	871	921	971	1021	1073	1130	1194	-	-	-	-	-	-
			BHP	0.17	0.21	0.25	0.29	0.34	0.40	0.47	-	-	-	-	-	-
			SONES	6.8	7.2	7.8	8.4	9.1	9.9	10.9	-	-	-	-	-	-
	2100	792	RPM	943	988	1033	1078	1123	1170	1220	1333	-	-	-	-	-
			BHP	0.22	0.26	0.30	0.34	0.39	0.44	0.50	0.66	-	-	-	-	-
			SONES	7.8	8.2	8.7	9.3	9.8	10.5	11.2	13.2	-	-	-	-	-
	2300	868	RPM	1016	1058	1099	1140	1181	1222	1264	1356	1461	-	-	-	-
			BHP	0.27	0.31	0.36	0.40	0.45	0.50	0.56	0.69	0.86	-	-	-	-
			SONES	9.0	9.4	9.8	10.3	10.8	11.4	12.0	13.5	15.4	-	-	-	-
	2500	943	RPM	1090	1129	1167	1205	1242	1280	1318	1396	1482	1578	-	-	
			BHP	0.33	0.38	0.42	0.47	0.52	0.58	0.63	0.75	0.90	1.09	-	-	
			SONES	10.2	10.6	11.0	11.4	11.9	12.4	13.0	14.2	15.6	17.2	-	-	
	2700	1019	RPM	1164	1201	1237	1272	1307	1342	1377	1447	1521	1600	1689		
			BHP	0.40	0.45	0.50	0.55	0.60	0.66	0.72	0.84	0.97	1.14	1.34		
			SONES	11.6	12.0	12.3	12.7	13.1	13.6	14.1	15.2	16.2	17.4	18.9		
	2900	1094	RPM	1240	1274	1308	1341	1374	1406	1439	1504	1570	1639	1713		
			BHP	0.47	0.53	0.58	0.64	0.70	0.75	0.81	0.93	1.07	1.22	1.39		
			SONES	13.0	13.4	13.7	14.0	14.4	14.7	15.2	16.1	17.1	18.0	19.2		
	3100	1170	RPM	1316	1349	1380	1412	1443	1473	1503	1564	1625	1687	-		
BHP			0.56	0.62	0.68	0.74	0.80	0.86	0.92	1.05	1.18	1.33	-			
SONES			14.5	14.8	15.1	15.4	15.7	16.1	16.4	17.2	18.0	18.9	-			
3300	1245	RPM	1392	1423	1454	1483	1512	1541	1570	1627	1684	1741	-			
		BHP	0.66	0.72	0.79	0.85	0.91	0.98	1.04	1.17	1.31	1.45	-			
		SONES	16.0	16.3	16.6	16.9	17.1	17.4	17.7	18.4	19.1	19.9	-			
3500	1321	RPM	1469	1499	1528	1556	1584	1611	1638	1692	1746	-	-			
		BHP	0.77	0.84	0.91	0.97	1.04	1.11	1.17	1.31	1.45	-	-			
		SONES	17.5	17.8	18.0	18.2	18.5	18.7	19.0	19.6	20.3	-	-			
3700	1396	RPM	1546	1575	1602	1629	1656	1682	1708	-	-	-	-			
		BHP	0.89	0.97	1.04	1.11	1.18	1.25	1.32	-	-	-	-			
		SONES	18.9	19.2	19.4	19.7	19.9	20.2	20.4	-	-	-	-			
3900	1472	RPM	1624	1651	1677	1703	1728	-	-	-	-	-	-			
		BHP	1.03	1.11	1.18	1.25	1.33	-	-	-	-	-	-			
		SONES	20.4	20.7	20.9	21.2	21.4	-	-	-	-	-	-			
4100	1547	RPM	1702	1727	-	-	-	-	-	-	-	-	-			
		BHP	1.18	1.26	-	-	-	-	-	-	-	-	-			
		SONES	22.0	22.2	-	-	-	-	-	-	-	-	-			



S&P USA Ventilation Systems, LLC certifies that the SMXD shown herein is licensed to bear the AMCA seal. The ratings shown are based on tests and procedures performed in accordance with AMCA Publication 211 and AMCA Publication 311 and comply with the requirements of the AMCA Certified Ratings Program.



Performance certified is for installation type B: free inlet, ducted outlet. Power rating (BHP) does not include transmission losses. Performance ratings do not include the effects of appurtenances (accessories). The sound ratings shown are loudness values in hemispherical sones at 1.5 m (5 ft) in a hemispherical free field calculated per ANSI/AMCA Standard 301. Values shown are for Installation Type B: free inlet hemispherical sone levels.



**SMXD16**

MODEL SMXD	CFM	OV		Static Pressure in Inches w.g.										
				1/4	3/8	1/2	5/8	3/4	7/8	1	1-1/4	1-1/2	2	
16	1700	507	RPM	616	680	754	-	-	-	-	-	-	-	-
			BHP	0.11	0.15	0.21	-	-	-	-	-	-	-	-
			SONES	4.5	5.3	6.4	-	-	-	-	-	-	-	-
	2000	596	RPM	684	737	791	851	922	-	-	-	-	-	-
			BHP	0.15	0.19	0.24	0.30	0.38	-	-	-	-	-	-
			SONES	5.6	6.3	7.0	7.9	9.0	-	-	-	-	-	-
	2300	685	RPM	757	803	849	896	946	1001	1064	-	-	-	-
			BHP	0.20	0.25	0.30	0.35	0.41	0.49	0.59	-	-	-	-
			SONES	6.9	7.3	7.9	8.6	9.4	10.4	11.5	-	-	-	-
	2600	775	RPM	833	874	915	955	996	1039	1085	-	-	-	-
			BHP	0.27	0.32	0.37	0.42	0.48	0.55	0.62	-	-	-	-
			SONES	8.2	8.5	9.1	9.7	10.3	11.0	11.9	-	-	-	-
	2900	864	RPM	911	948	985	1021	1057	1094	1132	1305	-	-	-
			BHP	0.34	0.40	0.45	0.51	0.57	0.64	0.71	1.08	-	-	-
			SONES	9.6	10.0	10.4	10.9	11.5	12.1	12.8	16.3	-	-	-
	3200	954	RPM	990	1024	1058	1091	1124	1157	1190	1331	-	-	-
			BHP	0.43	0.49	0.55	0.62	0.68	0.75	0.82	1.15	-	-	-
			SONES	11.2	11.6	12.0	12.4	12.9	13.5	14.1	16.7	-	-	-
	3500	1043	RPM	1070	1102	1133	1163	1194	1224	1254	1377	1516	-	-
			BHP	0.54	0.61	0.67	0.74	0.81	0.88	0.95	1.27	1.70	-	-
			SONES	13.0	13.3	13.7	14.1	14.5	14.9	15.5	17.8	20.6	-	-
	3800	1133	RPM	1151	1180	1210	1238	1266	1294	1322	1433	1551	1687	-
			BHP	0.66	0.74	0.81	0.88	0.95	1.03	1.10	1.43	1.82	2.34	-
			SONES	14.9	15.2	15.5	15.8	16.2	16.5	17.0	19.1	21.2	23.8	-
	4100	1222	RPM	1232	1260	1287	1314	1340	1366	1392	1495	1600	1714	-
			BHP	0.81	0.89	0.97	1.04	1.12	1.20	1.28	1.62	2.00	2.46	-
			SONES	16.8	17.1	17.3	17.6	18.0	18.3	18.7	20.4	22.2	24.3	-
	4400	1311	RPM	1314	1341	1366	1391	1416	1441	1465	1561	1657	-	-
			BHP	0.97	1.06	1.14	1.23	1.31	1.39	1.48	1.83	2.21	-	-
			SONES	18.6	18.9	19.2	19.5	19.8	20.1	20.4	21.9	23.5	-	-
4700	1401	RPM	1397	1422	1446	1470	1493	1516	1539	1629	1719	-	-	
		BHP	1.16	1.25	1.34	1.43	1.52	1.61	1.70	2.07	2.46	-	-	
		SONES	20.5	20.9	21.2	21.4	21.7	22.0	22.2	23.4	24.9	-	-	
5000	1490	RPM	1480	1503	1526	1549	1571	1593	1615	1700	-	-	-	
		BHP	1.37	1.47	1.57	1.66	1.76	1.85	1.95	2.33	-	-	-	
		SONES	22.6	22.8	23.0	23.3	23.5	23.8	24.0	25.1	-	-	-	
5300	1580	RPM	1563	1585	1607	1629	1650	1671	1691	-	-	-	-	
		BHP	1.60	1.71	1.81	1.92	2.02	2.12	2.22	-	-	-	-	
		SONES	24.5	24.7	25.0	25.2	25.5	25.7	26.0	-	-	-	-	
5600	1669	RPM	1646	1667	1689	1709	1729	1749	-	-	-	-	-	
		BHP	1.87	1.98	2.09	2.20	2.30	2.41	-	-	-	-	-	
		SONES	26.6	26.8	27.0	27.3	27.5	27.7	-	-	-	-	-	
5900	1758	RPM	1730	1750	-	-	-	-	-	-	-	-	-	
		BHP	2.16	2.27	-	-	-	-	-	-	-	-	-	
		SONES	28.6	28.9	-	-	-	-	-	-	-	-	-	



S&P USA Ventilation Systems, LLC certifies that the SMXD shown herein is licensed to bear the AMCA seal. The ratings shown are based on tests and procedures performed in accordance with AMCA Publication 211 and AMCA Publication 311 and comply with the requirements of the AMCA Certified Ratings Program.



Performance certified is for installation type B: free inlet, ducted outlet. Power rating (BHP) does not include transmission losses. Performance ratings do not include the effects of appurtenances (accessories). The sound ratings shown are loudness values in hemispherical sones at 1.5 m (5 ft) in a hemispherical free field calculated per ANSI/AMCA Standard 301. Values shown are for Installation Type B: free inlet hemispherical sone levels.



**SMXD18**

MODEL SMXD	CFM	OV		Static Pressure in Inches w.g.														
				1/4	1/2	3/4	1	1-1/4	1-1/2	1-3/4	2	2-1/4	2-1/2	2-3/4	3	3-1/4		
18	1400	327	RPM	485	661	-	-	-	-	-	-	-	-	-	-	-	-	
			BHP	0.09	0.22	-	-	-	-	-	-	-	-	-	-	-	-	-
			SONES	2.8	5.3	-	-	-	-	-	-	-	-	-	-	-	-	-
	1900	443	RPM	526	681	814	933	-	-	-	-	-	-	-	-	-	-	-
			BHP	0.12	0.26	0.42	0.60	-	-	-	-	-	-	-	-	-	-	-
			SONES	3.4	5.6	7.6	9.6	-	-	-	-	-	-	-	-	-	-	-
	2400	560	RPM	593	716	838	948	1049	1144	1234	-	-	-	-	-	-	-	-
			BHP	0.17	0.31	0.48	0.68	0.89	1.11	1.36	-	-	-	-	-	-	-	-
			SONES	4.6	6.2	8.0	9.8	11.6	13.5	15.3	-	-	-	-	-	-	-	-
	2900	677	RPM	673	770	874	976	1070	1159	1243	1324	1401	1475	-	-	-	-	-
			BHP	0.24	0.38	0.56	0.77	0.99	1.23	1.48	1.75	2.03	2.32	-	-	-	-	-
			SONES	6.1	7.1	8.6	10.3	12.0	13.8	15.5	17.2	18.8	20.4	-	-	-	-	-
	3400	793	RPM	760	840	924	1014	1101	1185	1265	1341	1414	1484	1552	1618	1683	-	-
			BHP	0.33	0.48	0.66	0.88	1.12	1.37	1.64	1.91	2.21	2.51	2.82	3.15	3.49	-	-
			SONES	7.8	8.5	9.4	10.9	12.6	14.3	15.9	17.6	19.1	20.6	22.1	23.5	24.9	-	-
	3900	910	RPM	850	919	990	1064	1142	1220	1295	1367	1436	1504	1568	1631	1693	-	-
			BHP	0.46	0.61	0.79	1.00	1.25	1.52	1.80	2.10	2.40	2.72	3.04	3.38	3.73	-	-
			SONES	9.6	10.2	10.9	11.9	13.4	14.9	16.6	18.1	19.5	21.0	22.4	23.8	25.1	-	-
	4400	1027	RPM	943	1003	1065	1129	1194	1263	1333	1401	1467	1531	1593	1653	1712	-	-
			BHP	0.61	0.78	0.97	1.18	1.42	1.69	1.99	2.30	2.62	2.95	3.29	3.64	4.00	-	-
			SONES	11.6	12.1	12.7	13.5	14.4	15.8	17.3	18.8	20.2	21.6	22.9	24.2	25.5	-	-
	4900	1143	RPM	1037	1091	1146	1202	1259	1318	1379	1442	1504	1564	1624	1682	1739	-	-
			BHP	0.80	0.98	1.18	1.40	1.64	1.90	2.20	2.52	2.86	3.20	3.56	3.93	4.30	-	-
			SONES	13.8	14.2	14.7	15.3	16.1	17.1	18.3	19.6	21.0	22.3	23.5	24.8	26.1	-	-
5400	1260	RPM	1133	1181	1230	1280	1332	1384	1437	1492	1548	1605	1661	1716	-	-	-	
		BHP	1.03	1.23	1.43	1.66	1.91	2.17	2.46	2.77	3.11	3.47	3.85	4.23	-	-	-	
		SONES	16.1	16.4	16.9	17.5	18.1	18.8	19.7	20.7	21.9	23.1	24.3	25.6	-	-	-	
5900	1377	RPM	1229	1273	1318	1363	1409	1456	1504	1553	1602	1653	1705	-	-	-	-	
		BHP	1.31	1.52	1.74	1.97	2.22	2.49	2.78	3.09	3.43	3.78	4.16	-	-	-	-	
		SONES	18.6	18.9	19.2	19.7	20.2	20.9	21.5	22.3	23.0	24.1	25.2	-	-	-	-	
6400	1493	RPM	1327	1367	1408	1449	1491	1534	1577	1621	1666	1711	-	-	-	-	-	
		BHP	1.64	1.85	2.09	2.33	2.59	2.87	3.16	3.48	3.81	4.16	-	-	-	-	-	
		SONES	21.1	21.4	21.7	22.1	22.5	23.0	23.5	24.1	24.8	25.6	-	-	-	-	-	
6900	1610	RPM	1424	1461	1499	1537	1576	1615	1655	1695	1735	-	-	-	-	-	-	
		BHP	2.01	2.25	2.49	2.75	3.02	3.30	3.61	3.92	4.26	-	-	-	-	-	-	
		SONES	23.7	23.9	24.1	24.5	24.8	25.3	25.7	26.3	26.9	-	-	-	-	-	-	
7400	1727	RPM	1522	1557	1592	1627	1663	1699	1736	-	-	-	-	-	-	-	-	
		BHP	2.45	2.69	2.95	3.22	3.50	3.80	4.11	-	-	-	-	-	-	-	-	
		SONES	26.3	26.5	26.7	27.0	27.3	27.7	28.1	-	-	-	-	-	-	-	-	
7900	1843	RPM	1621	1653	1686	1719	-	-	-	-	-	-	-	-	-	-	-	
		BHP	2.94	3.20	3.47	3.76	-	-	-	-	-	-	-	-	-	-	-	
		SONES	29.0	29.1	29.3	29.6	-	-	-	-	-	-	-	-	-	-	-	
8400	1960	RPM	1719	1750	-	-	-	-	-	-	-	-	-	-	-	-	-	
		BHP	3.50	3.78	-	-	-	-	-	-	-	-	-	-	-	-	-	
		SONES	31.7	31.9	-	-	-	-	-	-	-	-	-	-	-	-	-	



S&P USA Ventilation Systems, LLC certifies that the SMXD shown herein is licensed to bear the AMCA seal. The ratings shown are based on tests and procedures performed in accordance with AMCA Publication 211 and AMCA Publication 311 and comply with the requirements of the AMCA Certified Ratings Program.



Performance certified is for installation type B: free inlet, ducted outlet. Power rating (BHP) does not include transmission losses. Performance ratings do not include the effects of appurtenances (accessories). The sound ratings shown are loudness values in hemispherical sones at 1.5 m (5 ft) in a hemispherical free field calculated per ANSI/AMCA Standard 301. Values shown are for Installation Type B: free inlet hemispherical sone levels.



**SMXD20**

MODEL SMXD	CFM	OV		Static Pressure in Inches w.g.											
				1/4	1/2	3/4	1	1-1/4	1-3/4	2-1/4	2-3/4	3-1/4	3-3/4	4-1/4	
20	2200	398	RPM	452	596	719	-	-	-	-	-	-	-	-	-
			BHP	0.14	0.31	0.50	-	-	-	-	-	-	-	-	-
			SONES	3.4	5.7	8.0	-	-	-	-	-	-	-	-	-
	2900	524	RPM	511	627	737	837	929	-	-	-	-	-	-	-
			BHP	0.20	0.38	0.59	0.83	1.10	-	-	-	-	-	-	-
			SONES	4.5	6.3	8.3	10.3	12.2	-	-	-	-	-	-	-
	3600	651	RPM	588	676	771	862	947	1102	1242	-	-	-	-	-
			BHP	0.29	0.47	0.70	0.96	1.24	1.86	2.55	-	-	-	-	-
			SONES	6.2	7.2	8.9	10.7	12.6	16.2	19.7	-	-	-	-	-
	4300	777	RPM	672	743	819	898	976	1122	1254	1377	1493	-	-	-
			BHP	0.42	0.60	0.83	1.11	1.41	2.07	2.79	3.58	4.42	-	-	-
			SONES	8.2	8.9	9.9	11.5	13.2	16.7	20.0	23.3	26.4	-	-	-
	5000	904	RPM	760	820	883	948	1016	1151	1276	1393	1503	1608	1708	-
			BHP	0.59	0.79	1.02	1.29	1.60	2.31	3.07	3.89	4.76	5.69	6.66	-
			SONES	10.4	10.8	11.6	12.6	14.1	17.4	20.5	23.7	26.6	29.5	32.3	-
	5700	1030	RPM	851	903	957	1012	1069	1189	1307	1418	1523	1623	1719	-
			BHP	0.82	1.03	1.27	1.54	1.85	2.57	3.38	4.24	5.15	6.11	7.11	-
			SONES	12.7	13.1	13.7	14.5	15.4	18.3	21.3	24.3	27.1	29.9	32.7	-
	6400	1157	RPM	944	990	1037	1085	1135	1237	1344	1449	1550	1646	1738	-
			BHP	1.10	1.33	1.58	1.86	2.17	2.88	3.71	4.62	5.58	6.57	7.61	-
			SONES	15.2	15.5	16.0	16.7	17.5	19.5	22.3	25.1	27.9	30.5	33.2	-
	7100	1283	RPM	1038	1079	1121	1164	1207	1297	1391	1488	1583	1675	-	-
			BHP	1.44	1.69	1.96	2.25	2.57	3.27	4.09	5.03	6.03	7.07	-	-
			SONES	18.0	18.3	18.7	19.2	19.7	21.4	23.5	26.1	28.7	31.3	-	-
7800	1410	RPM	1132	1170	1208	1246	1285	1365	1448	1534	1622	1710	-	-	
		BHP	1.86	2.12	2.41	2.72	3.04	3.76	4.58	5.50	6.52	7.61	-	-	
		SONES	20.8	21.0	21.4	21.9	22.4	23.7	25.3	27.3	29.7	32.3	-	-	
8500	1536	RPM	1228	1262	1296	1331	1367	1439	1513	1590	1669	1750	-	-	
		BHP	2.35	2.64	2.94	3.26	3.60	4.34	5.16	6.07	7.08	8.19	-	-	
		SONES	23.8	24.0	24.3	24.7	25.2	26.3	27.6	29.0	31.0	33.5	-	-	
9200	1663	RPM	1323	1355	1387	1419	1451	1517	1585	1654	1725	-	-	-	
		BHP	2.93	3.24	3.56	3.90	4.25	5.01	5.84	6.76	7.75	-	-	-	
		SONES	26.9	27.1	27.4	27.8	28.1	29.0	30.0	31.3	32.9	-	-	-	
9900	1789	RPM	1420	1449	1478	1508	1538	1599	1661	1724	-	-	-	-	
		BHP	3.60	3.93	4.27	4.62	4.99	5.78	6.63	7.56	-	-	-	-	
		SONES	30.1	30.3	30.5	30.8	31.1	31.9	32.9	34.1	-	-	-	-	
10600	1916	RPM	1516	1543	1571	1598	1626	1682	1740	-	-	-	-	-	
		BHP	4.37	4.71	5.07	5.45	5.84	6.65	7.53	-	-	-	-	-	
		SONES	33.5	33.7	33.9	34.1	34.4	35.1	36.0	-	-	-	-	-	
11300	2042	RPM	1613	1638	1664	1690	1716	-	-	-	-	-	-	-	
		BHP	5.24	5.61	5.99	6.38	6.79	-	-	-	-	-	-	-	
		SONES	37.1	37.2	37.4	37.6	37.9	-	-	-	-	-	-	-	
12000	2169	RPM	1709	1733	-	-	-	-	-	-	-	-	-	-	
		BHP	6.23	6.62	-	-	-	-	-	-	-	-	-	-	
		SONES	40.8	40.9	-	-	-	-	-	-	-	-	-	-	



S&P USA Ventilation Systems, LLC certifies that the SMXD shown herein is licensed to bear the AMCA seal. The ratings shown are based on tests and procedures performed in accordance with AMCA Publication 211 and AMCA Publication 311 and comply with the requirements of the AMCA Certified Ratings Program.



Performance certified is for installation type B: free inlet, ducted outlet. Power rating (BHP) does not include transmission losses. Performance ratings do not include the effects of appurtenances (accessories). The sound ratings shown are loudness values in hemispherical sones at 1.5 m (5 ft) in a hemispherical free field calculated per ANSI/AMCA Standard 301. Values shown are for Installation Type B: free inlet hemispherical sone levels.

**SMXD22**

MODEL SMXD	CFM	OV		Static Pressure in Inches w.g.												
				1/4	1/2	1	1-1/2	2	2-1/2	3	3-1/2	4	4-1/2	5	5-1/2	
22	2400	343	RPM	381	519	-	-	-	-	-	-	-	-	-	-	-
			BHP	0.15	0.35	-	-	-	-	-	-	-	-	-	-	-
			SONES	3.2	6.2	-	-	-	-	-	-	-	-	-	-	-
	3500	500	RPM	431	542	736	-	-	-	-	-	-	-	-	-	-
			BHP	0.22	0.44	1.00	-	-	-	-	-	-	-	-	-	-
			SONES	4.0	6.5	11.3	-	-	-	-	-	-	-	-	-	-
	4600	657	RPM	514	589	758	907	1036	-	-	-	-	-	-	-	-
			BHP	0.35	0.56	1.18	1.93	2.72	-	-	-	-	-	-	-	-
			SONES	6.1	7.4	11.7	16.1	20.0	-	-	-	-	-	-	-	-
	5700	814	RPM	606	663	793	929	1055	1166	1270	1367	-	-	-	-	-
			BHP	0.55	0.78	1.38	2.18	3.10	4.04	5.02	6.08	-	-	-	-	-
			SONES	8.5	9.4	12.4	16.4	20.3	24.0	27.7	31.1	-	-	-	-	-
	6800	971	RPM	702	750	849	964	1079	1188	1288	1381	1469	1553	1634	-	
			BHP	0.83	1.09	1.68	2.47	3.43	4.51	5.60	6.72	7.89	9.10	10.36	-	
			SONES	11.2	12.0	13.8	17.1	20.7	24.4	28.0	31.4	34.9	38.3	41.6	-	
	7900	1129	RPM	800	843	926	1016	1115	1214	1311	1403	1488	1569	1647	1722	
			BHP	1.20	1.49	2.12	2.88	3.82	4.91	6.11	7.39	8.66	9.96	11.28	12.65	
			SONES	14.3	14.8	16.2	18.3	21.5	24.9	28.3	31.7	35.2	38.5	41.9	45.2	
	9000	1286	RPM	900	938	1011	1085	1166	1253	1341	1427	1511	1591	1667	1740	
			BHP	1.69	2.01	2.70	3.46	4.37	5.43	6.63	7.94	9.34	10.81	12.25	13.71	
			SONES	17.5	18.0	19.1	20.5	22.6	25.8	29.0	32.2	35.6	38.9	42.2	45.5	
	10100	1443	RPM	1002	1035	1101	1166	1232	1306	1383	1462	1539	1616	1690	-	
			BHP	2.29	2.65	3.40	4.21	5.10	6.13	7.30	8.60	10.00	11.51	13.08	-	
			SONES	20.8	21.1	22.1	23.4	25.2	27.3	30.1	33.2	36.4	39.5	42.8	-	
11200	1600	RPM	1104	1134	1194	1253	1311	1371	1438	1507	1578	1648	1718	-		
		BHP	3.04	3.43	4.25	5.11	6.03	7.03	8.18	9.45	10.83	12.33	13.91	-		
		SONES	24.4	24.8	25.7	26.9	28.2	29.8	32.0	34.5	37.4	40.4	43.6	-		
12300	1757	RPM	1206	1234	1289	1343	1396	1450	1504	1564	1627	1691	-	-		
		BHP	3.94	4.36	5.25	6.17	7.14	8.17	9.28	10.52	11.88	13.35	-	-		
		SONES	28.2	28.6	29.4	30.4	31.6	33.1	34.7	36.6	38.8	41.7	-	-		
13400	1914	RPM	1309	1335	1386	1436	1484	1533	1583	1633	1687	1744	-	-		
		BHP	5.01	5.47	6.42	7.41	8.44	9.51	10.65	11.85	13.17	14.61	-	-		
		SONES	32.1	32.4	33.3	34.4	35.5	36.6	38.0	39.5	41.3	43.3	-	-		
14500	2071	RPM	1413	1436	1483	1530	1576	1621	1666	1711	-	-	-	-		
		BHP	6.27	6.76	7.77	8.84	9.93	11.05	12.22	13.45	-	-	-	-		
		SONES	36.4	36.9	37.7	38.6	39.6	40.6	41.7	43.1	-	-	-	-		
15600	2229	RPM	1517	1538	1582	1626	1669	1711	-	-	-	-	-	-		
		BHP	7.73	8.25	9.33	10.45	11.62	12.80	-	-	-	-	-	-		
		SONES	41.0	41.4	42.2	43.1	44.1	45.0	-	-	-	-	-	-		
16700	2386	RPM	1620	1641	1682	1722	-	-	-	-	-	-	-	-		
		BHP	9.40	9.96	11.11	12.30	-	-	-	-	-	-	-	-		
		SONES	45.8	46.2	47.0	47.8	-	-	-	-	-	-	-	-		
17800	2543	RPM	1725	1744	-	-	-	-	-	-	-	-	-	-		
		BHP	11.30	11.89	-	-	-	-	-	-	-	-	-	-		
		SONES	50.9	51.3	-	-	-	-	-	-	-	-	-	-		



S&P USA Ventilation Systems, LLC certifies that the SMXD shown herein is licensed to bear the AMCA seal. The ratings shown are based on tests and procedures performed in accordance with AMCA Publication 211 and AMCA Publication 311 and comply with the requirements of the AMCA Certified Ratings Program.



Performance certified is for installation type B: free inlet, ducted outlet. Power rating (BHP) does not include transmission losses. Performance ratings do not include the effects of appurtenances (accessories). The sound ratings shown are loudness values in hemispherical sones at 1.5 m (5 ft) in a hemispherical free field calculated per ANSI/AMCA Standard 301. Values shown are for Installation Type B: free inlet hemispherical sone levels.



# SMXD24

MODEL SMXD	CFM	OV		Static Pressure in Inches w.g.											
				1/8	1/4	3/8	1/2	5/8	3/4	7/8	1	1-1/2	2	2-1/2	3
24	3000	343	RPM	265	338	404	461	513	-	-	-	-	-	-	-
			BHP	0.09	0.19	0.31	0.44	0.58	-	-	-	-	-	-	-
			SONES	1.6	3.4	5.1	6.5	7.9	-	-	-	-	-	-	-
	4000	457	RPM	316	365	421	474	524	568	611	650	-	-	-	-
			BHP	0.15	0.24	0.37	0.52	0.68	0.85	1.02	1.20	-	-	-	-
			SONES	2.9	3.7	5.3	6.7	8.0	9.3	10.6	11.9	-	-	-	-
	5000	572	RPM	375	411	451	496	540	583	623	661	797	-	-	-
			BHP	0.24	0.34	0.46	0.60	0.78	0.97	1.17	1.37	2.22	-	-	-
			SONES	4.6	5.1	5.8	7.0	8.3	9.6	10.9	12.1	16.9	-	-	-
	6000	686	RPM	436	467	498	530	566	604	640	677	808	923	1026	-
			BHP	0.36	0.47	0.60	0.74	0.90	1.09	1.30	1.52	2.48	3.50	4.61	-
			SONES	6.3	6.7	7.2	7.9	8.8	10.1	11.2	12.5	17.1	21.1	25.0	-
	7000	801	RPM	498	526	552	578	605	636	667	699	823	934	1034	1127
			BHP	0.53	0.65	0.79	0.93	1.09	1.27	1.48	1.70	2.72	3.85	5.02	6.26
			SONES	8.2	8.5	8.9	9.4	10.1	10.8	11.9	13.0	17.3	21.3	25.2	29.0
	8000	915	RPM	562	586	610	632	656	679	704	731	842	949	1047	1137
			BHP	0.74	0.88	1.03	1.19	1.36	1.53	1.72	1.94	2.95	4.17	5.46	6.77
			SONES	10.2	10.5	10.9	11.3	11.8	12.4	13.1	13.8	17.7	21.6	25.5	29.3
	9000	1029	RPM	627	648	669	690	710	731	752	773	868	967	1062	1150
			BHP	1.02	1.17	1.34	1.51	1.68	1.87	2.06	2.26	3.26	4.47	5.84	7.29
			SONES	12.4	12.8	13.1	13.4	13.8	14.3	14.8	15.3	18.4	22.0	25.8	29.6
	10000	1144	RPM	692	711	730	749	768	786	804	823	903	991	1079	-
			BHP	1.35	1.53	1.70	1.89	2.08	2.27	2.48	2.69	3.65	4.84	6.22	-
			SONES	14.8	15.1	15.4	15.7	16.0	16.4	16.7	17.2	19.3	22.6	26.3	-
11000	1258	RPM	758	775	792	810	827	844	860	877	945	1022	1103	-	
		BHP	1.76	1.95	2.14	2.34	2.55	2.76	2.97	3.19	4.15	5.31	6.67	-	
		SONES	17.3	17.5	17.8	18.1	18.4	18.7	19.0	19.3	21.0	23.3	26.9	-	
12000	1372	RPM	824	840	855	871	887	903	918	933	995	1061	1133	-	
		BHP	2.25	2.45	2.66	2.88	3.10	3.32	3.55	3.78	4.77	5.90	7.23	-	
		SONES	19.8	20.0	20.2	20.4	20.7	21.0	21.3	21.6	22.9	24.8	27.7	-	
13000	1487	RPM	890	904	919	934	948	963	978	992	1048	1106	-	-	
		BHP	2.82	3.04	3.26	3.49	3.73	3.97	4.21	4.46	5.49	6.62	-	-	
		SONES	22.3	22.5	22.7	22.9	23.2	23.4	23.7	24.0	25.2	26.9	-	-	
14000	1601	RPM	956	970	983	997	1011	1024	1038	1051	1104	1156	-	-	
		BHP	3.48	3.72	3.96	4.21	4.46	4.71	4.97	5.23	6.31	7.47	-	-	
		SONES	25.1	25.2	25.4	25.6	25.9	26.1	26.4	26.6	27.7	29.1	-	-	
15000	1716	RPM	1022	1035	1048	1061	1073	1086	1099	1111	-	-	-	-	
		BHP	4.25	4.50	4.76	5.02	5.28	5.55	5.82	6.10	-	-	-	-	
		SONES	27.9	28.1	28.3	28.5	28.7	28.9	29.1	29.3	-	-	-	-	
16000	1830	RPM	1089	1101	1113	1125	1137	1149	1160	-	-	-	-	-	
		BHP	5.12	5.39	5.66	5.93	6.21	6.50	6.79	-	-	-	-	-	
		SONES	30.8	31.0	31.2	31.4	31.6	31.8	32.1	-	-	-	-	-	
17000	1944	RPM	1155	-	-	-	-	-	-	-	-	-	-	-	
		BHP	6.11	-	-	-	-	-	-	-	-	-	-	-	
		SONES	34.0	-	-	-	-	-	-	-	-	-	-	-	



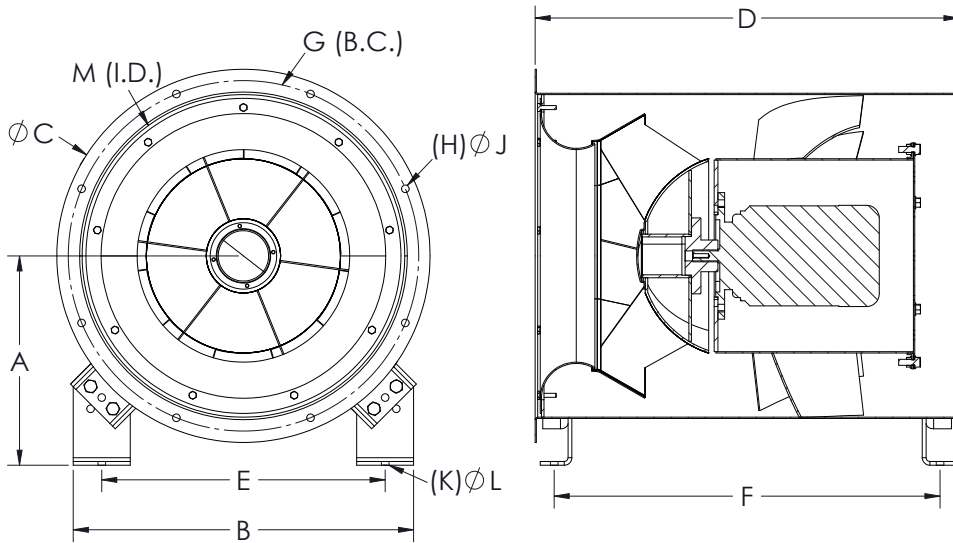
S&P USA Ventilation Systems, LLC certifies that the SMXD shown herein is licensed to bear the AMCA seal. The ratings shown are based on tests and procedures performed in accordance with AMCA Publication 211 and AMCA Publication 311 and comply with the requirements of the AMCA Certified Ratings Program.

Performance certified is for installation type B: free inlet, ducted outlet. Power rating (BHP) does not include transmission losses. Performance ratings do not include the effects of appurtenances (accessories). The sound ratings shown are loudness values in hemispherical sones at 1.5 m (5 ft) in a hemispherical free field calculated per ANSI/AMCA Standard 301. Values shown are for Installation Type B: free inlet hemispherical sone levels.

# DIMENSIONS

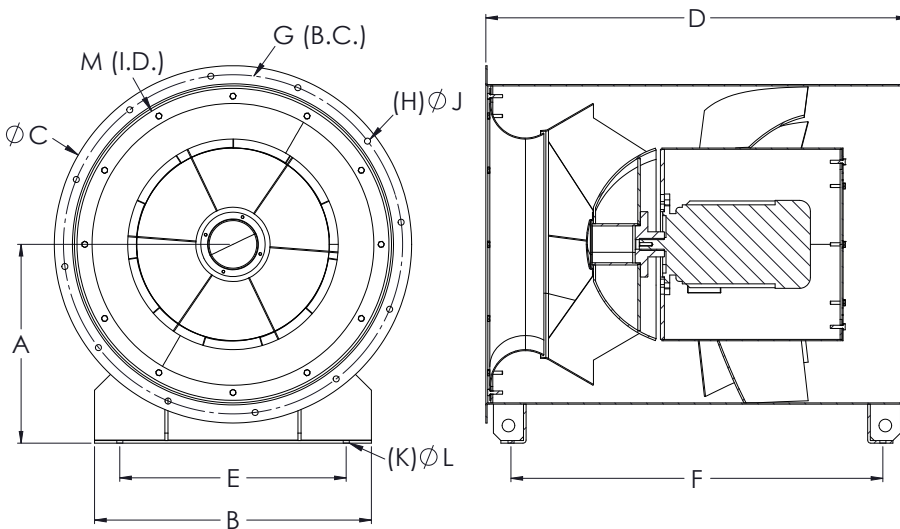
## SMXD15

Dimension SMXD 15



Size	A	B	C	D	E	F	G	(H) Ø J	(K) Ø L	M
SMXD15	13-3/4	22-5/8	25-3/16	28-9/16	19-1/16	26-3/16	23-3/4	(8) 15/32	(4) 15/32	20

## SMXD16-24



Size	A	B	C	D	E	F	G	(H) Ø J	(K) Ø L	M
SMXD16	15-9/16	21-5/8	27-15/16	33-1/16	17-11/16	29-1/8	26-9/16	(12) 15/32	(4) 15/32	24-13/16
SMXD18	17-1/8	24-7/16	31-3/16	34-11/16	20-1/2	30-3/4	29-11/16	(12) 15/32	(4) 15/32	28
SMXD20	19-1/8	27-9/16	35	38-1/2	23-5/8	34-9/16	33-5/8	(12) 15/32	(4) 15/32	31-7/8
SMXD22	21-1/16	31-1/8	39	44-5/8	27-3/16	39-1/8	37-9/16	(16) 15/32	(4) 15/32	35-13/16
SMXD24	23-1/4	35-1/16	43-3/16	50-3/16	31-1/8	44-11/16	41-11/16	(16) 15/32	(4) 15/32	40-1/16