

MODEL FEATURES

- Exhaust air up to 28,000 CFM in high static pressure applications up to 1-1/4" w.g.
- Attractive spun aluminum exterior
- Belt drives permit easy performance adjustments when needed
- Non-overloading backward inclined wheel for efficiency at higher static pressures
- AMCA Air and Sound Licensed
- cULus 705 Listed


APPLICATION CONSTRUCTION OPTIONS

MODEL NAME	TYPICAL APPLICATIONS
DB	Removal of clean air in general applications

MODEL OVERVIEW

Model DB belt drive fans are designed to exhaust air up to 28,000 CFM in high static pressure applications to 1-1/4". The aluminum exterior provides an attractive appearance. Belt drive results in lower operating RPM and sound levels, making the Model DB well suited to applications where quiet operation is important. Belt drive also permits easy performance adjustments when needed to balance the total ventilation system. The non-overloading backward inclined wheel with its higher static pressure capability makes this unit suitable for either ducted or nonducted applications. Its roof mounting permits location near the area to be ventilated, allowing short duct runs and more efficient operation.

DBs are primarily used for the exhaust of relatively clean air from a wide range of commercial, industrial and institutional environments such as manufacturing and assembly plants, office buildings, schools, hospitals, restaurants, athletic facilities and many others

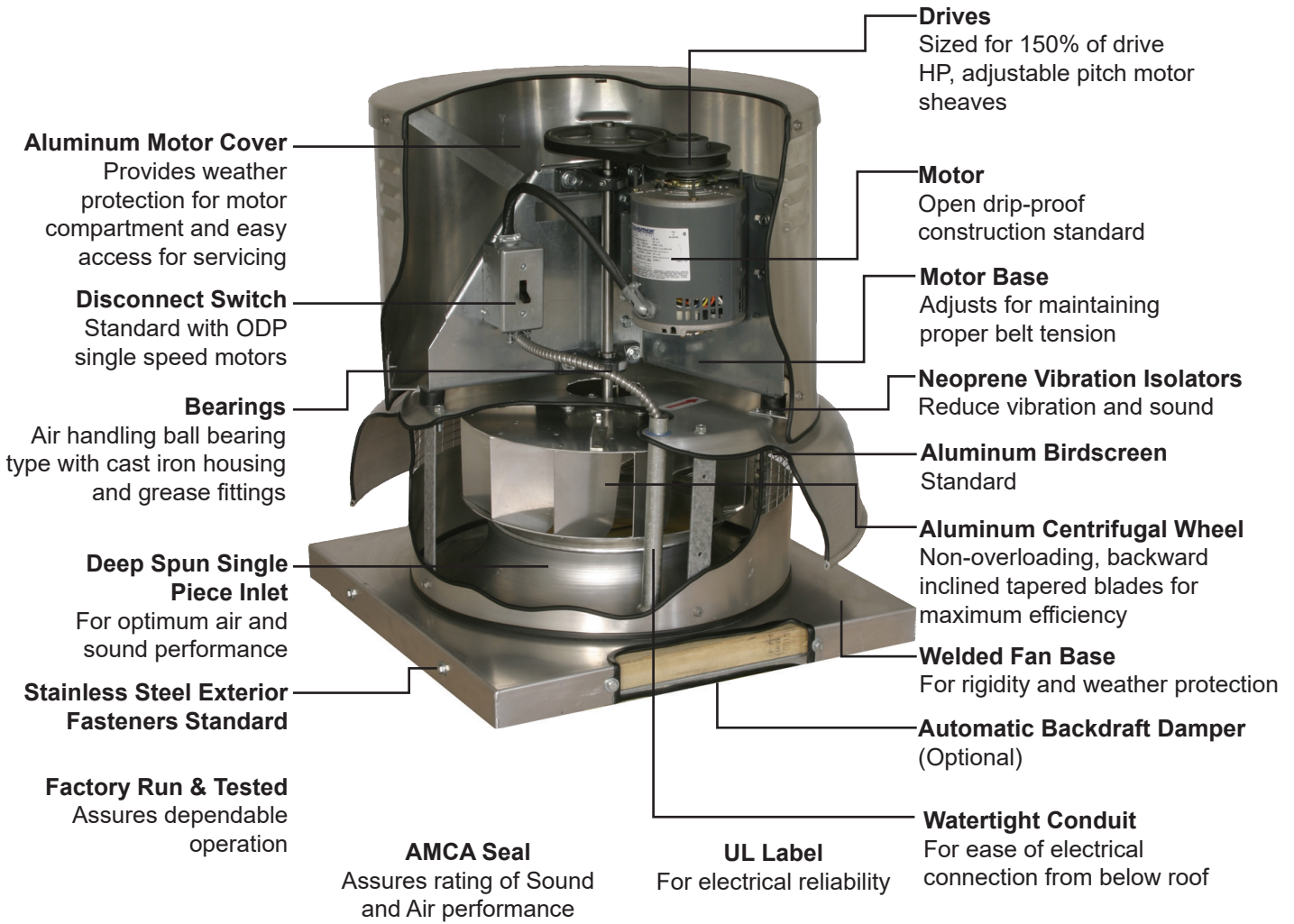


Model DB is available in our Quickship program. Sizes 36 are available for next day, 3-day or 10-day shipping from stock.

Industry best 5 year fan housing warranty, 1 year motor warranty



CONSTRUCTION FEATURES AND OPTIONS





CONSTRUCTION/SPECIFICATION CHECKLIST

Housing

- Curb cap with integral deep spun inlet for efficient performance.
- Heavy-gauge aluminum for extra strength.
- Designed for maximum weather protection and attractive appearance.
- Heavy-gauge motor support for rigidity and strength.
- Neoprene isolators for reduction of vibration and sound.
- Quick-Release latches on motor cover for easy access to motor compartment.
- Water tight conduit tube for easy electrical connection from below roof.
- Aluminum birdscreen standard.
- Stainless steel fasteners on exterior.

Centrifugal Wheel

- All aluminum wheel.
- Backward inclined for efficiency at higher static pressure.
- Non-overloading for safe operation in ducted systems.
- Tapered blades for efficiency and quiet operation.
- Heavy aluminum hub for extra strength.
- Statically and dynamically balanced for smooth operation.

Motors

- 1 year warranty.
- Brands are nationally recognized and locally serviced.
- Single speed open drip-proof are standard.
- Explosion-proof, totally enclosed and two-speed motors are available.
- All motors are rated for continuous duty.
- 182T and larger motors shipped unmounted for field installation.
- Disconnect switch standard on single speed drip-proof and totally enclosed motors.

Drives

- Sized for minimum 150% of drive horsepower.
- Machined cast iron adjustable motor pulleys.
- Adjustable base for belt tensioning.
- Non-static oil resistant V-Belts.

Bearings

- Heavy-duty ball bearing type.
- Pre-lubricated and permanently sealed.
- 5 year warranty.

AMCA Seal

- Assures accuracy of Air and Sound Performance.

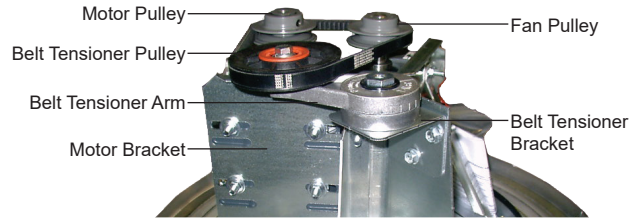
cULus Label

- cULus 705 listing assures electrical safety and reliability.
- cULus 705 must be specified when required.

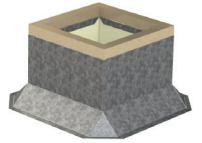


OPTIONS/ACCESSORIES

Automatic Belt Tensioner: The Automatic Belt Tensioners eliminate the need for regular manual retensioning of drives, and the risk of inadvertently over-tensioning drive components is avoided and overall drive operating efficiency is enhanced. Benefits include reduction in startup and maintenance costs, increased belt life, increased drive efficiency, and ensure drive components do not snag obstructions.



Roof Curb: Prefabricated heavy-gauge galvanized steel, welded construction, 12" high (other heights are also available) with 1-1/2" wood nailer. Assures perfect fit of exhauster to roof opening. Options include burglar bars, single or double pitch construction and hinged curbs for easy duct access.



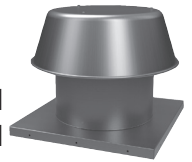
Sound Curb: Option of thermal acoustical lining or a complete maximum sound attenuating baffle system. Provision for mounting damper is available. Contact factory for information regarding effect on exhauster air performance and sound level.

Motor Operated Damper: Motor operated aluminum damper for positive closure against backdraft.

Automatic Damper: Automatic aluminum damper for ease in installation and effective backdraft protection.



Companion Gravity Units: Model RCX-II comes in a wide range of sizes and air capacities to provide relief or intake air to the system. Curbs and dampers are available to fit all sizes. Spun aluminum hoods provide a pleasing appearance, complementing the Model DB exhauster.

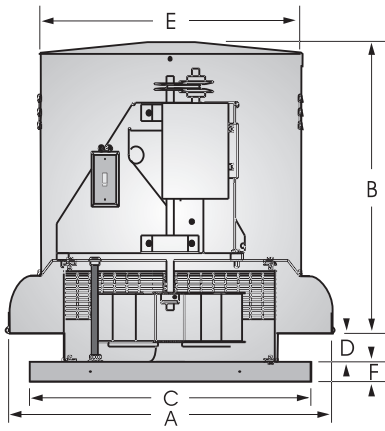


Special Coatings: Powered roof exhausters often require special coatings for protective and decorative purposes. Available coatings include: Synthetic Resin, Epoxy, and Heresite (air-dried phenolic). Contact your representative or the factory for more information on available coatings and colors.

Curb Hinge Arrangement: The curb hinge arrangement provides easy access to the exhaust fan, backdraft damper, and duct for servicing and cleaning.



SIZE 30



Dimensional Data										
Damper OD	Roof Opening	Curb OD	A	B	C	D	E	F	Fan Wt	Ship Wt
36	37-1/4	40-3/4	58-3/8	37	42-1/2	5-1/2	41	2-1/2	265	465

CFM / BHP @ Static Pressure / Sones											Drive Range	RPM	HP	Tip Speed
0	1/8	1/4	3/8	1/2	5/8	3/4	7/8	1	1-1/4	Catalog Number				
4068 .09/2.7	2456 .09/2.5	-	-	-	-	-	-	-	-	3001	DP53	235	1/3	1871
4588 .13/3.4	3300 .14/3.2	-	-	-	-	-	-	-	-	3002		265	1/3	2110
5107 .18/4.2	4015 .19/3.6	1930 .15/3.4	-	-	-	-	-	-	-	3003		295	1/3	2349
5626 .24/5.0	4681 .26/4.1	3220 .24/3.6	-	-	-	-	-	-	-	3004		325	1/3	2588
6146 .32/5.8	5311 .34/4.7	4149 .33/5.0	-	-	-	-	-	-	-	3005		355	1/3	2827
6665 .40/6.6	5916 .43/5.3	4921 .43/6.2	3455 .38/6.1	-	-	-	-	-	-	3006		385	1/2	3066
7098 .49/7.3	6406 .51/5.9	5512 .52/6.6	4350 .49/6.4	2246 .38/6.8	-	-	-	-	-	3007		410	1/2	3265
7531 .58/8.1	6888 .61/6.7	6081 .62/7.1	5087 .60/7.0	3601 .53/6.9	-	-	-	-	-	3008		435	3/4	3464
8050 .71/9.1	7456 .74/7.6	6735 .76/7.7	5866 .75/8.5	4743 .71/8.2	2961 .59/8.1	-	-	-	-	3009		465	3/4	3703
8483 .83/9.8	7925 .86/8.4	7262 .89/8.2	6468 .89/8.9	5528 .85/8.8	4179 .77/8.0	-	-	-	-	3010		DP57	490	1
8916 .97/10.6	8388 1.00/9.2	7775 1.03/8.7	7047 1.03/9.4	6215 1.01/9.2	5132 .95/8.6	3571 .82/8.8	-	-	-	3011	515		1	4101
9608 1.21/12.0	9124 1.25/10.6	8574 1.30/9.5	7937 1.30/10.2	7213 1.28/11.0	6385 1.25/9.0	5286 1.17/8.9	3788 1.02/8.7	-	-	3012	555		1-1/2	4419
10214 1.46/13.2	9761 1.49/11.7	9257 1.55/10.6	8683 1.55/11.0	8030 1.55/11.7	7315 1.53/12.6	6472 1.48/12.4	5352 1.38/12.2	3860 1.21/21.6	-	3013	590		1-1/2	4698
10820 1.73/14.5	10395 1.77/13.1	9928 1.84/11.8	9405 1.84/11.7	8817 1.85/12.6	8171 1.84/13.3	7460 1.80/13.0	6604 1.74/12.8	5497 1.62/12.7	-	3014	625		2	4977
11339 1.99/15.6	10936 2.03/14.2	10496 2.07/13.1	10010 2.10/12.6	9469 2.13/13.2	8871 2.12/14.0	8231 2.10/14.8	7507 2.05/14.6	6617 196/14.0	4024 1.61/13.8	3015	655		2	5215
11859 2.28/16.7	11474 2.32/15.4	11058 2.36/14.3	10605 2.40/13.4	10104 2.43/14.0	9552 2.43/14.7	8960 2.42/15.4	8319 2.38/15.1	7584 2.32/14.7	5573 2.07/14.5	3016	685		3	5454
12378 2.59/17.9	12011 2.64/16.5	11617 2.68/15.4	11190 2.72/14.4	10724 2.75/14.8	10213 2.77/15.4	9660 2.76/16.1	9076 2.73/16.9	8434 2.69/16.8	6767 2.49/17.9	3017	715		3	5693
12897 2.93/19.1	12546 2.98/17.9	12171 3.02/16.7	11768 3.06/15.7	11332 3.10/15.6	10857 3.13/16.2	10343 3.13/16.9	9798 3.11/17.6	9220 3.07/18.5	7827 2.93/19.4	3018	745		3	5932
13330 3.24/20	12991 3.29/18.9	12630 3.33/17.8	12245 3.37/16.8	11831 3.41/16.4	11383 3.45/16.9	10899 3.46/17.6	10381 3.45/18.3	9841 3.42/19.1	8602 3.31/19.8	3019	770		5	6131
13936 3.70/22	13612 3.75/20	13270 3.80/19.4	12907 3.84/18.3	12520 3.88/17.4	12104 3.92/18.0	11657 3.95/18.6	11179 3.95/19.3	10676 3.93/19.9	9580 3.84/21	3020	805	5	6410	
14542 4.20/23	14232 4.26/22	13907 4.31/21	13563 4.35/19.9	13199 4.40/19.0	12811 4.44/19.1	12396 4.48/19.6	11954 4.49/20	11485 4.48/21	10487 4.41/22	3021	840	5	6689	
15148 4.75/24	14851 4.81/23	14540 4.86/22	14214 4.91/22	13871 4.96/21	13507 5.00/20	13120 5.04/21	12709 5.07/21	12273 5.08/22	11344 5.03/23	3022	875	5	6967	

Power Ratings (BHP) does not include drive losses.
Performance certified is for installation type A - free inlet, free outlet.
Performance ratings include the effects of birdscreen in the airstream.
The sound ratings shown are loudness values in fan sones @ 5' (1.5m) in a hemispherical free field calculated per AMCA Standard 301. Values shown are for: Installation Type A: free inlet hemispherical sone levels.

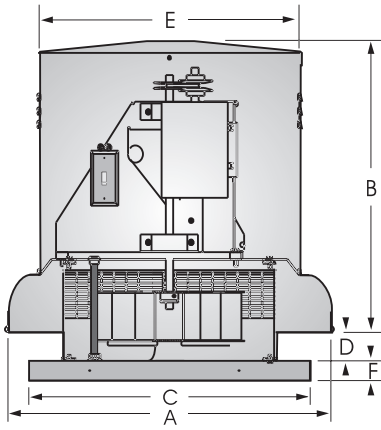


JencoFan, Div. of Soler & Palau Ventilation Group, certifies that the Models DB shown herein are licensed to bear the AMCA Seal. The ratings shown are based on test and procedures performed in accordance with AMCA Publication 211 and AMCA Publication 311 and comply with the requirement of the AMCA Certified Ratings Program.





SIZE 36



Dimensional Data										
Damper OD	Roof Opening	Curb OD	A	B	C	D	E	F	Fan Wt	Ship Wt
36	37-1/4	40-3/4	58-3/8	37	42-1/2	10	41	2-1/2	275	475

CFM / BHP @ Static Pressure / Sones										Drive Range	RPM	HP	Tip Speed		
0	1/8	1/4	3/8	1/2	5/8	3/4	7/8	1	1-1/4					Catalog Number	
5995	3550	-	-	-	-	-	-	-	-	3601	DP61	210	1/2	1945	
.16/3.9	.14/3.0	-	-	-	-	-	-	-	-	3602		235	1/2	2177	
6708	4887	-	-	-	-	-	-	-	-	3603		260	1/2	2408	
.22/4.9	.22/4.1	-	-	-	-	-	-	-	-	3604		285	1/2	2640	
7422	5964	-	-	-	-	-	-	-	-	3605		DP62	310	1/2	2871
.30/5.9	.31/5.2	-	-	-	-	-	-	-	-	3606			330	3/4	3057
8136	6868	4443	-	-	-	-	-	-	-	3607		DP63	355	3/4	3288
.40/7.0	.42/6.4	.35/5.6	-	-	-	-	-	-	-	3608			370	1	3427
8849	7708	5686	-	-	-	-	-	-	-	3609			DP64	385	1
.51/8.2	.53/7.7	.48/6.8	-	-	-	-	-	-	-	3610		400		1-1/2	3705
9420	8361	6793	4157	-	-	-	-	-	-	3611	DP65	415	1-1/2	3844	
.62/9.2	.64/8.8	.62/8.0	.49/7.1	-	-	-	-	-	-	3612		430	1-1/2	3983	
10134	9166	7936	5730	-	-	-	-	-	-	3613		445	1-1/2	4122	
.77/10.1	.80/9.7	.80/9.1	.68/8.3	-	-	-	-	-	-	3614	DP66	470	2	4353	
10562	9646	8521	6450	3321	-	-	-	-	-	3615		490	2	4539	
.87/10.7	.90/10.3	.91/9.7	.80/8.9	.57/8.8	-	-	-	-	-	3616	DP67	510	3	4724	
10990	10122	9075	7268	5137	-	-	-	-	-	3617		535	3	4955	
.98/11.3	1.02/10.8	1.02/10.3	.94/9.7	.80/9.0	-	-	-	-	-	3618		560	3	5187	
11418	10593	9607	8102	6133	-	-	-	-	-	3619	DP67	580	5	5372	
1.10/11.9	1.14/11.4	1.15/10.9	1.09/10.3	.96/9.7	-	-	-	-	-	3620		620	5	5742	
11846	11060	10120	8852	6860	3994	-	-	-	-	3621	640	5	5928		
1.23/12.6	1.27/12.0	1.28/11.6	1.25/10.9	1.10/10.4	.84/10.2	-	-	-	-	3622	660	5	6113		
12275	11524	10623	9521	7583	5709	-	-	-	-						
1.37/13.3	1.41/12.8	1.43/12.2	1.41/11.6	1.26/11.1	1.11/10.5	-	-	-	-						
12703	11985	11118	10124	8417	6731	-	-	-	-						
1.52/14.3	1.56/13.6	1.58/13.0	1.57/12.4	1.45/11.8	1.31/11.3	-	-	-	-						
13416	12747	11931	11059	9774	7958	6170	-	-	-						
1.79/15.5	1.83/15.0	1.86/14.6	1.86/14.0	1.79/13.3	1.62/12.7	1.44/12.2	-	-	-						
13987	13351	12574	11770	10712	8982	7516	4507	-	-						
2.03/16.7	2.08/16.2	2.10/15.7	2.11/15.2	2.08/14.6	1.90/14.1	1.76/13.5	1.34/13.2	-	-						
14558	13953	13218	12453	11540	10114	8485	6849	-	-						
2.29/17.9	2.34/17.4	2.37/17.0	2.38/16.5	2.37/15.9	2.23/15.2	2.05/14.7	1.86/14.2	-	-						
15272	14701	14015	13287	12489	11391	9739	8401	6406	-						
2.64/19.4	2.69/18.9	2.73/18.5	2.74/18.1	2.74/17.6	2.67/17.0	2.47/16.4	2.32/15.8	2.03/15.6	-						
15986	15445	14803	14106	13387	12494	11151	9603	8338	-						
3.03/21	3.09/21	3.12/20	3.14/19.7	3.15/19.3	3.12/18.7	2.96/18.2	2.75/17.6	2.59/17.1	-						
16556	16038	15427	14754	14078	13283	12187	10640	9371	-						
3.36/22	3.42/22	3.47/22	3.49/21	3.50/21	3.49/20	3.38/19.5	3.15/19.0	2.99/18.5	-						
17698	17218	16663	16040	15416	14752	13951	12842	11372	8936						
4.11/25	4.17/25	4.22/24	4.25/24	4.27/24	4.28/23	4.25/23	4.10/22	3.85/21	3.47/20						
18269	17806	17275	16680	16072	15450	14727	13803	12509	10068						
4.52/26	4.59/26	4.64/26	4.67/25	4.69/25	4.70/25	4.69/24	4.60/24	4.37/23	3.97/22						
18840	18393	17884	17315	16722	16130	15470	14678	13586	11030						
4.96/28	5.03/27	5.08/27	5.12/27	5.14/27	5.16/26	5.15/26	5.11/25	4.93/25	4.46/23						

Power Ratings (BHP) does not include drive losses.
Performance certified is for installation type A - free inlet, free outlet.
Performance ratings include the effects of birdscreen in the airstream.
The sound ratings shown are loudness values in fan sones @ 5' (1.5m) in a hemispherical free field calculated per AMCA Standard 301. Values shown are for: Installation Type A: free inlet hemispherical sone levels.



JencoFan, Div. of Soler & Palau Ventilation Group, certifies that the Models DB shown herein are licensed to bear the AMCA Seal. The ratings shown are based on test and procedures performed in accordance with AMCA Publication 211 and AMCA Publication 311 and comply with the requirement of the AMCA Certified Ratings Program.

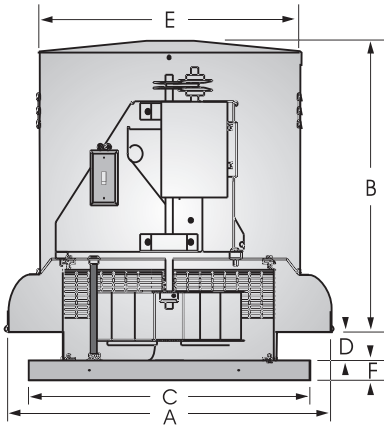




MODEL DB
BELT DRIVE CENTRIFUGAL ROOF EXHAUSTER



SIZE 42



Dimensional Data										
Damper OD	Roof Opening	Curb OD	A	B	C	D	E	F	Fan Wt	Ship Wt
48	50-1/4	53-1/4	73	40-1/2	55	10	54-5/8	2-1/2	425	700

CFM / BHP @ Static Pressure / Sones											Drive Range	RPM	HP	Tip Speed
0	1/8	1/4	3/8	1/2	5/8	3/4	7/8	1	1-1/4	Catalog Number				
8498 .22/4.8	4889 .20/4.4	-	-	-	-	-	-	-	-	4201	DP68 DP69 DP70	180	1/2	1966
9206 .28/5.5	6287 .28/5.1	-	-	-	-	-	-	-	-	4202		195	1/2	2129
9914 .35/6.3	7461 .36/5.9	-	-	-	-	-	-	-	-	4203		210	1/2	2293
10622 .43/7.1	8475 .45/6.8	-	-	-	-	-	-	-	-	4204		225	1/2	2457
11330 .52/7.9	9396 .55/7.6	4910 .40/7.4	-	-	-	-	-	-	-	4205		240	1/2	2621
12275 .66/9.0	10579 .70/8.8	7451 .62/8.6	-	-	-	-	-	-	-	4206		260	3/4	2839
12983 .78/9.8	11450 .83/9.5	8825 .78/9.2	-	-	-	-	-	-	-	4207		275	3/4	3003
13691 .92/10.5	12288 .97/10.2	10034 .94/9.9	4980 .63/9.8	-	-	-	-	-	-	4208		290	1	3167
14399 1.07/11.4	13101 1.12/11.0	11116 1.12/10.7	7740 .95/10.5	-	-	-	-	-	-	4209		305	1	3331
15343 1.29/12.7	14142 1.35/12.3	12411 1.36/11.9	9744 1.25/11.7	-	-	-	-	-	-	4210		325	1-1/2	3549
16051 1.48/13.6	14909 1.54/13.2	13323 1.56/12.9	11079 1.48/12.6	7073 1.16/12.6	-	-	-	-	-	4211	340	1-1/2	3713	
16760 1.68/14.6	15670 1.75/14.3	14209 1.78/13.9	12276 1.73/13.6	9251 1.51/13.5	-	-	-	-	-	4212	DP72 DP73 DP74	355	2	3877
17468 1.91/15.7	16424 1.97/15.4	15097 2.01/15.1	13368 1.99/14.7	10756 1.81/14.6	-	-	-	-	-	4213		370	2	4040
17940 2.07/16.4	16925 2.13/16.0	15681 2.18/15.8	14051 2.17/15.5	11690 2.02/15.4	7879 1.61/15.3	-	-	-	-	4214		380	2	4150
18884 2.41/17.7	17921 2.47/17.5	16818 2.54/17.2	15321 2.54/16.9	13399 2.44/16.7	10674 2.19/16.6	-	-	-	-	4215		400	3	4368
20064 2.89/19.6	19158 2.96/19.4	18187 3.04/19.1	16827 3.05/18.9	15279 3.01/18.6	13084 2.82/18.5	10122 2.46/18.5	-	-	-	4216		425	3	4641
20536 3.10/20	19650 3.17/20	18722 3.26/19.9	17415 3.27/19.7	15970 3.25/19.4	13969 3.08/19.3	11354 2.79/19.2	-	-	-	4217		435	5	4750
21245 3.43/22	20388 3.50/21	19503 3.59/21	18303 3.62/21	16950 3.61/21	15203 3.49/21	12874 3.23/20	9401 2.69/20	-	-	4218		450	5	4914
21953 3.78/23	21123 3.85/23	20276 3.95/22	19182 4.00/22	17883 3.99/22	16350 3.91/22	14281 3.69/22	11720 3.34/22	-	-	4219		465	5	5078
22897 4.29/24	22101 4.36/24	21297 4.47/24	20323 4.53/24	19089 4.53/24	17764 4.50/24	16014 4.33/23	13804 4.04/23	10779 3.51/23	-	4220		485	5	5296
23605 4.71/26	22832 4.78/26	22057 4.88/25	21158 4.96/25	19975 4.96/25	18753 4.95/25	17204 4.82/25	15217 4.57/25	12857 4.20/25	-	4221		500	5	5460
23841 4.85/26	23076 4.92/26	22309 5.02/26	21432 5.11/26	20267 5.11/25	19070 5.11/25	17584 4.99/25	15675 4.75/25	13399 4.40/25	-	4222	505	5	5515	

Power Ratings (BHP) does not include drive losses.
Performance certified is for installation type A - free inlet, free outlet.
Performance ratings include the effects of birdscreen in the airstream.
The sound ratings shown are loudness values in fan sones @ 5' (1.5m) in a hemispherical free field calculated per AMCA Standard 301. Values shown are for: Installation Type A: free inlet hemispherical sone levels

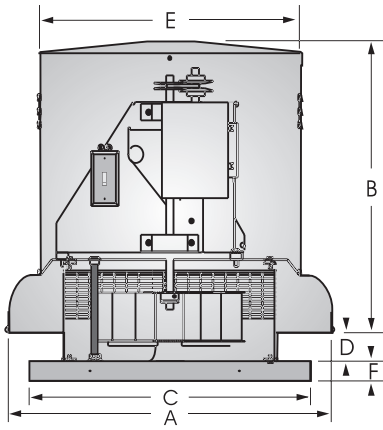


JencoFan, Div. of Soler & Palau Ventilation Group, certifies that the Models DB shown herein are licensed to bear the AMCA Seal. The ratings shown are based on test and procedures performed in accordance with AMCA Publication 211 and AMCA Publication 311 and comply with the requirement of the AMCA Certified Ratings Program.





SIZE 48



Dimensional Data										
Damper OD	Roof Opening	Curb OD	A	B	C	D	E	F	Fan Wt	Ship Wt
48	50-1/4	53-1/4	73	40-1/2	55	13	54-5/8	2-1/2	550	830

CFM / BHP @ Static Pressure / Sones											Drive Range	RPM	HP	Tip Speed
0	1/8	1/4	3/8	1/2	5/8	3/4	7/8	1	1-1/4	Catalog Number				
9953 0.34/4.5	5916 0.29/4.5	-	-	-	-	-	-	-	-	4801	DP75	165	1/2	2037
10557 0.41/5.0	6969 0.37/5.0	-	-	-	-	-	-	-	-	4802		DP76	175	1/2
11462 0.52/5.9	8336 0.49/5.7	-	-	-	-	-	-	-	-	4803	DP77		190	1/2
12065 0.61/6.4	9166 0.58/6.3	-	-	-	-	-	-	-	-	4804		DP78	200	3/4
13271 0.81/7.6	10719 0.79/7.5	6702 0.64/7.5	-	-	-	-	-	-	-	4805	DP79		220	3/4
13875 0.93/8.2	11459 0.91/8.1	7978 0.78/8.0	-	-	-	-	-	-	-	4806		DP80	230	1
14478 1.06/8.9	12182 1.04/8.8	9095 0.93/8.6	-	-	-	-	-	-	-	4807	DP81		240	1
15383 1.27/9.6	13243 1.25/9.6	10571 1.16/9.3	6153 0.9/9.6	-	-	-	-	-	-	4808		DP82	255	1-1/2
16891 1.68/10.9	14963 1.67/10.9	12732 1.59/10.6	9568 1.4/10.8	-	-	-	-	-	-	4809	DP83		280	1-1/2
17494 1.87/11.4	15638 1.85/11.4	13535 1.78/11.1	10717 1.62/11.2	6483 1.27/11.8	-	-	-	-	-	4810		DP84	290	2
18399 2.17/12.2	16641 2.16/12.2	14696 2.1/12.0	12255 1.95/12.1	8622 1.65/12.6	-	-	-	-	-	4811	DP85		305	2
19304 2.51/13.1	17632 2.5/13.1	15818 2.44/13.0	13645 2.32/12.9	10639 2.06/13.4	6682 1.66/13.7	-	-	-	-	4812		DP86	320	3
19605 2.63/13.4	17961 2.62/13.4	16186 2.56/13.4	14085 2.44/13.3	11250 2.21/13.7	7354 1.8/14.1	-	-	-	-	4813	DP87		325	3
20812 3.14/14.9	19267 3.14/14.9	17627 3.09/14.9	15762 2.98/14.7	13440 2.79/14.8	10204 2.44/15.3	-	-	-	-	4814		DP88	345	3
22018 3.72/16.5	20560 3.72/16.5	19033 3.67/16.5	17344 3.58/16.3	15351 3.42/16.2	12772 3.14/16.6	9329 2.7/17.0	-	-	-	4815	DP89		365	5
22622 4.03/17.3	21204 4.03/17.3	19726 3.99/17.3	18109 3.9/17.1	16240 3.75/16.9	13902 3.5/17.2	10767 3.09/17.7	-	-	-	4816		DP90	375	5
23828 4.72/18.9	22483 4.72/18.9	21094 4.68/18.9	19600 4.6/18.8	17926 4.46/18.6	15941 4.25/18.6	13412 3.92/19.0	10186 3.43/19.3	-	-	4817	DP91		395	5
25034 5.47/21	23755 5.47/21	22443 5.44/21	21051 5.36/21	19525 5.24/20	17782 5.06/20	15680 4.79/20	12999 4.37/21	9847 3.83/21	-	4818		DP92	415	5
25939 6.08/22	24705 6.09/22	23445 6.06/22	22117 5.99/22	20682 5.88/22	19077 5.71/21	17201 5.47/22	14891 5.11/22	12003 4.6/22	-	4819	DP93		430	7-1/2
26543 6.52/23	25337 6.52/23	24108 6.49/23	22820 6.43/23	21438 6.32/23	19909 6.16/22	18154 5.94/22	16042 5.61/23	13404 5.14/23	-	4820		DP94	440	7-1/2
27447 7.21/25	26282 7.21/25	25097 7.19/25	23864 7.13/25	22551 7.03/24	21121 6.88/24	19514 6.67/24	17637 6.38/24	15351 5.98/24	9773 4.83/25	4821	DP95		455	7-1/2
28352 7.94/26	27224 7.95/26	26081 7.93/26	24896 7.87/26	23645 7.78/26	22297 7.64/25	20809 7.45/25	19114 7.19/25	17107 6.83/25	11869 5.73/26	4822		DP96	470	7-1/2

Power Ratings (BHP) does not include drive losses.
 Performance certified is for installation type A - free inlet, free outlet.
 Performance ratings include the effects of birdscreen in the airstream.
 The sound ratings shown are loudness values in fan sones @ 5' (1.5m) in a hemispherical free field calculated per AMCA Standard 301. Values shown are for: Installation Type A: free inlet hemispherical sone levels



JencoFan, Div. of Soler & Palau Ventilation Group, certifies that the Models DB shown herein are licensed to bear the AMCA Seal. The ratings shown are based on test and procedures performed in accordance with AMCA Publication 211 and AMCA Publication 311 and comply with the requirement of the AMCA Certified Ratings Program.

