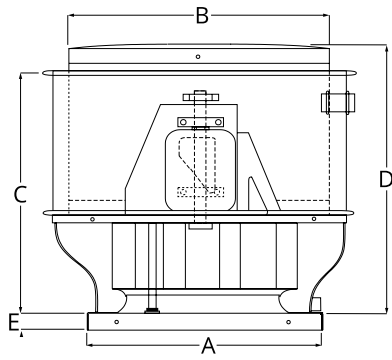
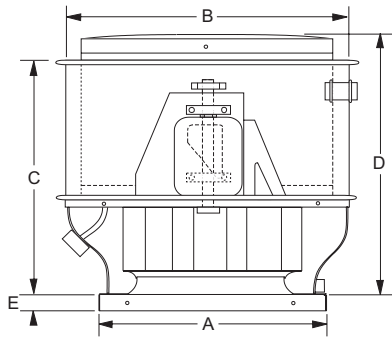


MODEL TXB BELT DRIVE CENTRIFUGAL UPBLAST ROOF EXHAUSTER



Sizes 30 through 36



Sizes 42 and 48

SIZE	DIMENSIONS (IN.)					AVG. SHIP WT. (LBS)
	A	B	C	D	E	
30	42 1/2	56 3/4	41	45	2 1/2	365
36	42 1/2	66	44	48	2 1/2	365
42	55	72 1/2	48	52	2 1/2	385
48	55	78 3/4	52	56	2 1/2	490

A - Inside dimension of square curb cap. D - Height of unit above top of curb.
 B - Outside diameter of unit. E - Depth of curb mounting flange.
 C - Height of exhaust opening above curb cap.



OPTIONAL cULus 705
 (Must be specified) cULus 762 (Grease)

FAN FEATURES

- Exhaust air up to 35,000 CFM in high static pressure applications up to 3-1/4" w.g.
- Attractive spun aluminum exterior
- Belt drives permit easy performance adjustments when needed
- Non-overloading backward inclined wheel for efficiency at higher static pressures
- Roof or sidewall mounting options
- AMCA Air and Sound Licensed
- UL 705 listed
- UL 762 listed for Grease Removal

SIZE	METAL GAUGES				
	WIND BAND	MOTOR COVER	SHROUD	BASE	
				STD/UL	RHUL
30	.050	.050	.100	.090	16GA
36	.050	.050	.090	.090	16GA
42	.050	.050	.090	.100	N/A
48	.050	.050	.090	.100	N/A

FAN SPECIFICATIONS									MOTOR SPECIFICATIONS				
Line	Qty.	Model No.	Tag	CFM	SP	Fan RPM	BHP	Sones	HP	Volts	Phase	Hertz	Encl
1													
2													
3													
4													
5													

ACCESSORY ITEMS	1	2	3	4	5	ACCESSORY ITEMS	1	2	3	4	5
<input type="checkbox"/>						<input type="checkbox"/>					
<input type="checkbox"/>						<input type="checkbox"/>					
<input type="checkbox"/>						<input type="checkbox"/>					

Project: _____ Submitted: _____
 Customer: _____ Approved: _____
 Location: _____

All motors 2HP and larger are shipped loose