



## Specifications

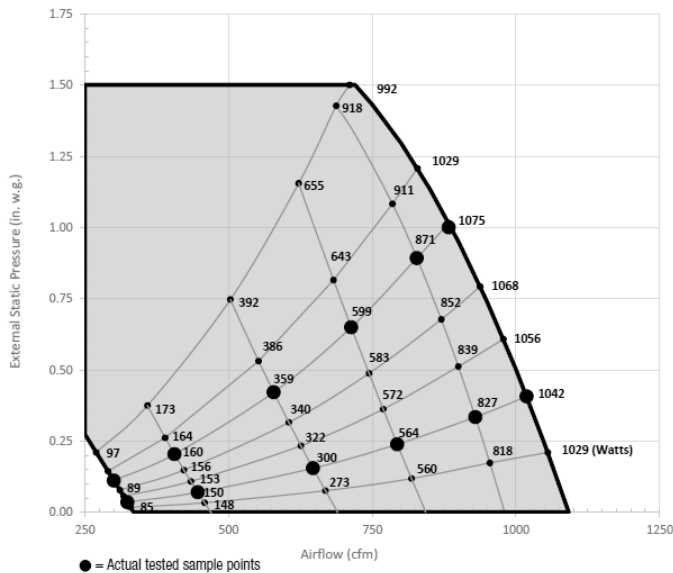
Ventilation Type: Static Plate, Heat and Humidity Transfer					
Typical Airflow Range: 250-1,000 CFM					
AHRI 1060 Certified Core: One L125-G5					
Airflow Rating Points (for AHRI): 750 CFM and 563 CFM					
Motors: Two, 0.5 HP, Direct Drive EC blower/motor package					
V	Hz	Phase	FLA (per motor)	Min. Cir. Amps	Max. Overcurrent Protection Device
120	60	Single	8.1	18.2	25
208-230	60	Single	4.8	10.8	15
Standard Features: 24 VAC Transformer/Relay Package					
Filters: Two total, MERV 8, 2" pleated, 20" x 20" nominal size					
Weight: 211 lbs (unit), 325 lbs (shipping weight, on pallet)					
Shipping Dimensions: 63" L x 30" W x 56" H					

## Core Performance

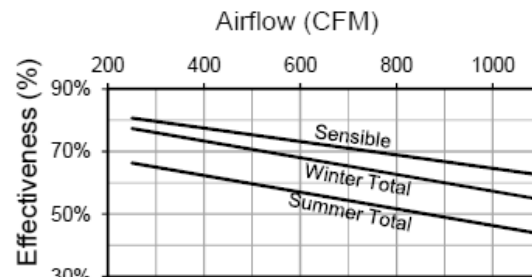
Airflow CFM	ESP in H <sub>2</sub> O	Watts
324	0.04	86
446	0.07	150
647	0.15	300
794	0.24	564
929	0.33	827
1019	0.41	1042
300	0.11	91
406	0.20	160
579	0.42	359
713	0.65	599
828	0.89	871
883	1.00	1075

Note: Watts is for the entire unit.

Note: Airflow performance includes effect of clean, standard filter supplied with unit.

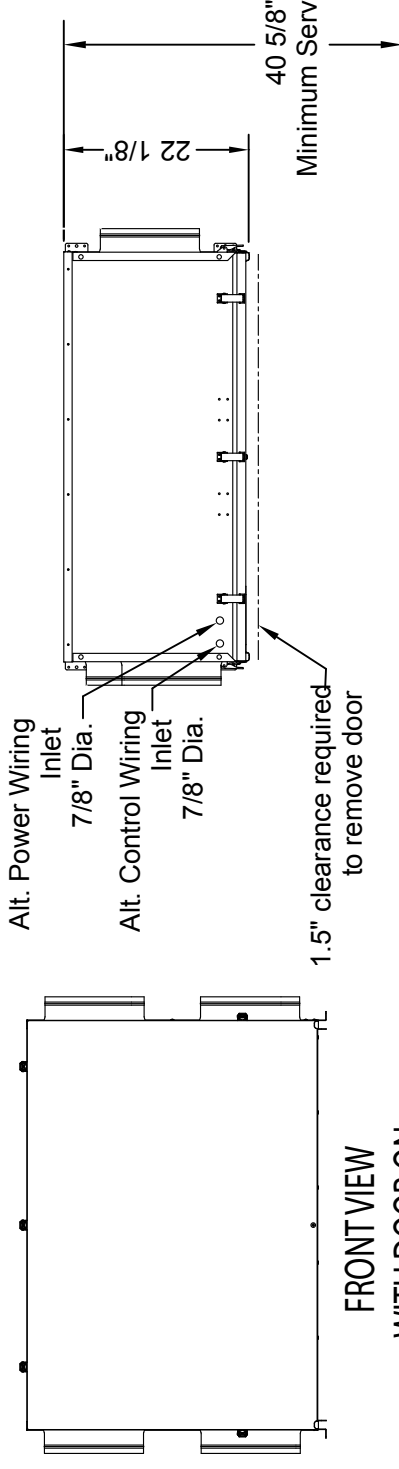


## CORE PERFORMANCE



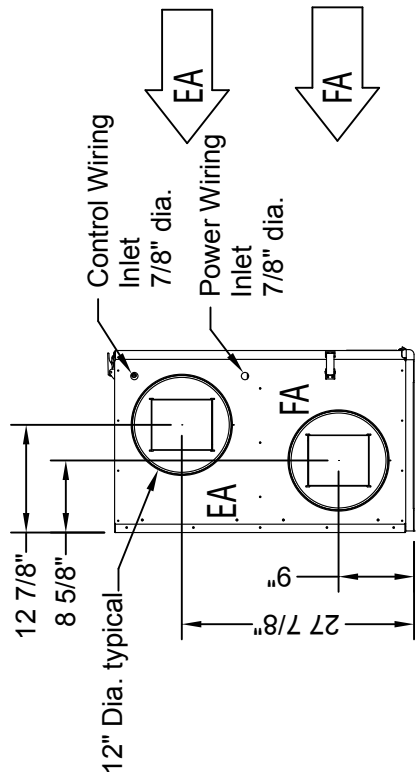
# Dimensions

EA: Exhaust Air to outdoors  
 OA: Outdoor Air intake  
 RA: Room Air to be exhausted  
 FA: Fresh Air to inside

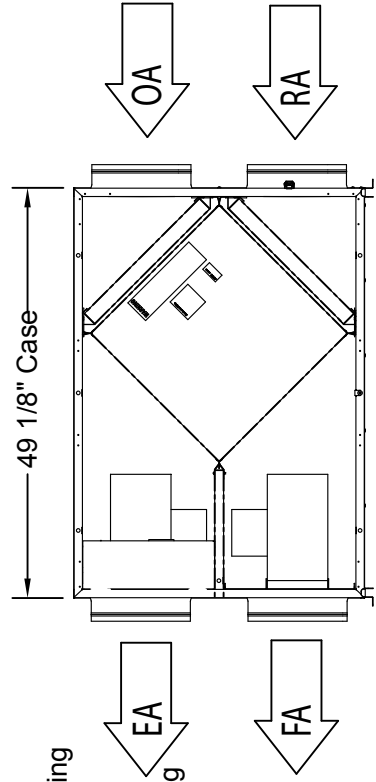


FRONT VIEW WITH DOOR ON

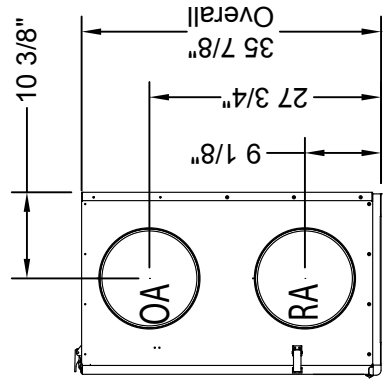
TOP VIEW



LEFT VIEW



FRONT VIEW



RIGHT VIEW