

# MODEL TR200

(Energy Recovery Ventilators (ERV))



6393 Powers Avenue  
Jacksonville, Florida 32217-2298  
P: 800.961.7370 F: 800.961.7379  
www.solerpalau-usa.com



## Specifications

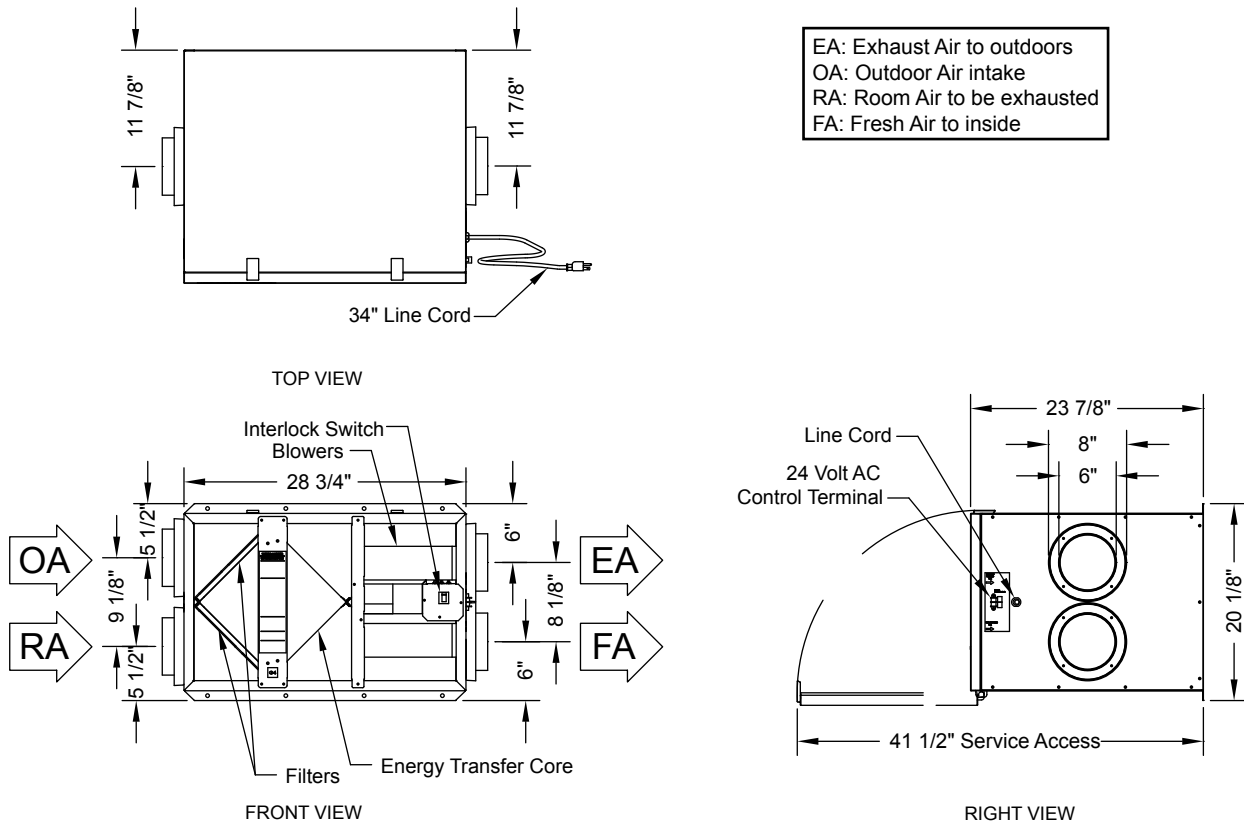
Ventilation Type: Static Plate, Heat and Humidity Transfer				
Typical Airflow Range: 100-200 CFM				
Unit may be mounted in any orientation				
Number Motors: One, 0.1 hp				
V	Hz	Phase	Input Watts	FLA
120	60	Single	157 @ 181 CFM	1.5
Control Voltage: 24 VAC				
Filters: MERV 8, spun polyester media. 10-1/2" x 21-3/4" x 1"				
Weight: 70 lbs (unit), 82 lbs (in carton)				
Shipping Dimensions: 21-1/2" W x 32" L x 29" H				
Options: SPTL - Percentage Timer Control SPBL - Push Button Point-of-Use Control SFM - Percentage Timer Control with Furnace Interlock SHW-20 - Dehumidistat Control				

## Core Performance

Airflow CFM	ESP in H <sub>2</sub> O	Temp EFF%	Total EFF% Winter/Summer*
122	0.70	82	74/59
149	0.65	80	72/56
168	0.50	79	70/55
176	0.40	78	69/54
186	0.30	77	68/53
192	0.20	77	68/52
200	0.10	76	67/52

\* Contact Factory for HVI certification report for complete certified rating.

## Dimensions



For more information contact us at [www.solerpalau-usa.com](http://www.solerpalau-usa.com) or 1.800.961.7370 for additional submittal drawings. Soler & Palau will not be responsible for fabrication changes or errors resulting from customer use of a non-current submittal drawing.