



# PC110X - Premium Choice Fan

(Ceiling Mounted Ventilation Fans)

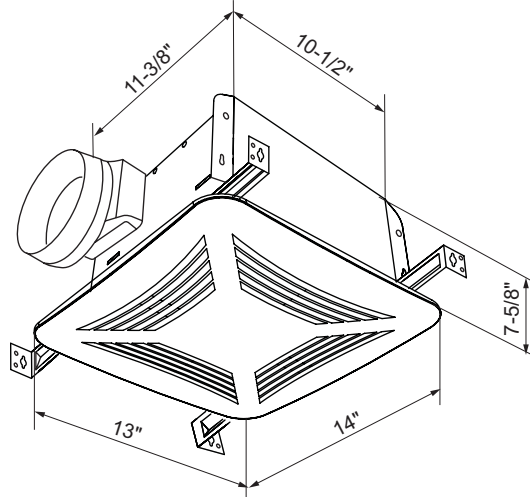


## PC110X Dimensions

Duct Dia.	Grille Size (Sq. in inches)	Cabinet Size (in Inches)			Unit Wgt. (lbs)
		W	D	H	
4 or 6"	13 x 14	11-3/8	10-1/2	7-5/8	11

## Options & Accessories

- Contractor Packs (4-packs)
- Humidity Sensor, Plug-&-Play module
- Speed Control, Plug-&-Play module
- VOC/Humidity, Plug-&-Play module
- Lighted Grilles (CFL or LED)
- Motion Sensing Grille
- Motion Sensing Lighted Grille (CFL)
- Metal Grille
- Radiation Dampers



## PC110X HVI Certified Performance

Duct Size for Test	CFM	Static Pressure (in W.G.)	Energy Efficiency (CFM/Watts)	Watts	Power (V/Hz)	Sones*	Amps
4"	110/91	0.1/0.25	4.3	27.3	120/60	0.9	.30
6"	130/109		4.7	27.6			

## PC110X AMCA Certified Performance

Duct Size	Static Pressure	CFM	Sones*	RPM
4"	0	114	1.5	850
4"	0.1	100	1.7	850
4"	0.25	76	2.3	850
6"	0	134	1.4	850
6"	0.1	112	1.5	850
6"	0.25	86	2.0	850



\*The difference between some values certified by HVI for residential use and by AMCA for commercial/industrial use is mainly due to the ANSI S3.4 procedures used to convert measured sound to perceived sound, and because HVI and AMCA have different rules for rounding some values. ANSI S3.4 specifies a procedure for calculating loudness as perceived by a typical listener under specific conditions. HVI establishes values in a spherical free field at a distance of 5 feet from the fan. AMCA establishes values in a hemispherical free field at a distance of 5 feet from the fan. It is not possible to achieve an exact comparison of HVI and AMCA some values.

## Typical Specifications:

Ventilating fan shall be S&P PC110X mounted in the ceiling. The fan shall have a 5-year limited warranty. The fan shall be HVI Certified at 0.1 inch water gauge for CFM performance above. Fan shall be AMCA Air & Sound Certified. The motor shall be ETL and cETL Listed with impedance protection plus additional thermal protection. The fan shall be ENERGY STAR® Qualified.