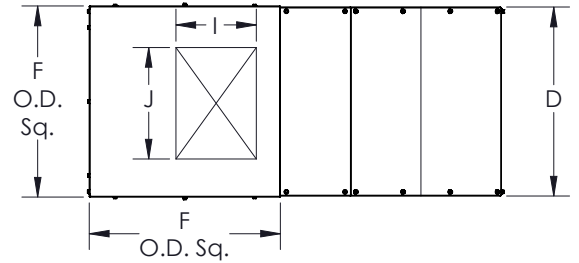
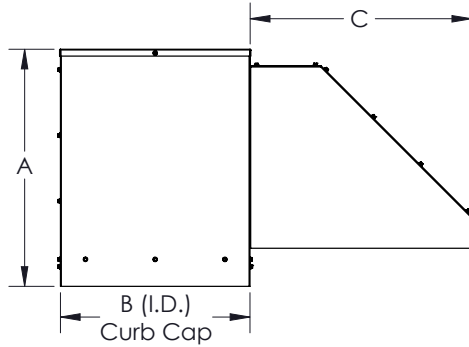


JencoFan

MODEL KSFV LOW INTAKE KITCHEN SUPPLY FAN WITH VARIATIONS



SIZE	A	B SQ.	C	D	Curb OD	F SQ.	DAMPER O.D.	I	J	FILTERS (QTY)
9	30"	23-7/8"	28"	24"	22-1/2"	24"	18-1/2"	10-3/8"	12"	20 X 20 (1)
10	35"	33-7/8"	32"	34"	32-1/2"	34"	28-1/2"	11-5/8"	13-1/4"	16 X 25 (2)
12	35"	33-7/8"	32"	34"	32-1/2"	34"	28-1/2"	13-5/8"	15-3/4"	16 X 25 (2)
15	35"	33-7/8"	32"	34"	32-1/2"	34"	28-1/2"	16-1/8"	18-7/8"	16 X 25 (2)
18	49"	41-7/8"	34"	42"	40-1/2"	42"	36-1/2"	19-1/8"	22-1/8"	20 x 25 (2)
20	49-1/8"	51-1/8"	40-1/8"	51-3/8"	49	51-3/8"	44-1/2"	25"	25-1/8"	24 X 30 (2)

FAN SPECIFICATIONS									MOTOR SPECIFICATIONS				
Line	Qty.	Model No.	Tag	CFM	SP	Fan RPM	BHP	Sones	HP	Volts	Phase	Hertz	Encl
1													
2													
3													
4													

ACCESSORY ITEMS	1	2	3	4	5	ACCESSORY ITEMS	1	2	3	4	5
<input type="checkbox"/>						<input type="checkbox"/>					
<input type="checkbox"/>						<input type="checkbox"/>					
<input type="checkbox"/>						<input type="checkbox"/>					
<input type="checkbox"/>						<input type="checkbox"/>					

Project: _____	Submitted: _____
Customer: _____	Approved: _____
Location: _____	