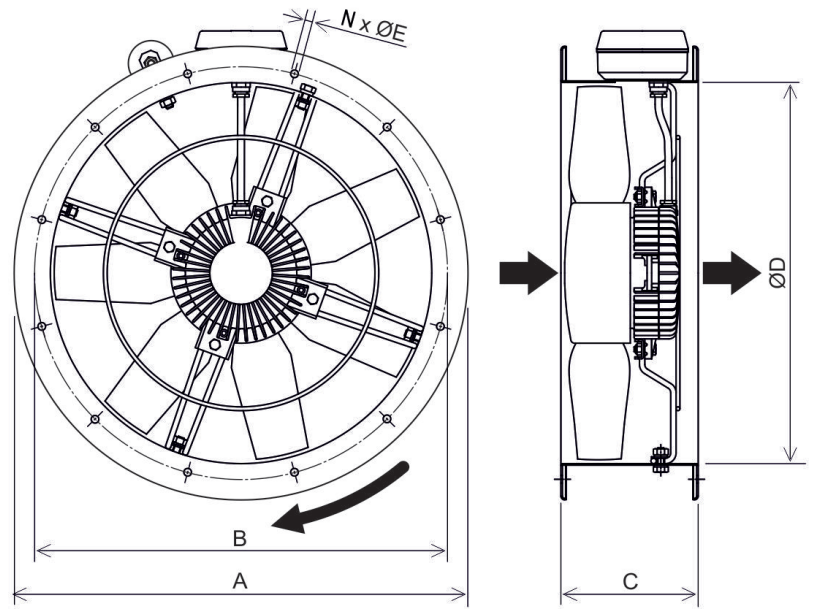


JencoFan

MODEL DA COMPACT Duct Axial Fan

STANDARD FEATURES

- Exhaust air up to 4,750 CFM with static pressure capabilities to 0.35" w.g.
- Constructed from die-cast aluminum and finished in a black polyester paint coating
- All models include asynchronous induction capacitor run and start motors
- Low profile design
- Class F motor insulation



Size	A	B	C	D	E	N	Average Ship Wt. Lbs.
12	15-3/6	13-15/16	6-11/16	12-7/16	3/8	8	18
16	19-3/16	15-3/4	6-11/16	15-3/4	1/2	8	29
18	21-1/8	17-3/4	7-1/8	17-3/4	1/2	8	33
20	23-7/16	22-1/6	7-1/8	19-11/16	1/2	12	42

FAN SPECIFICATIONS									MOTOR SPECIFICATIONS				
Line	Qty.	Model No.	Tag	CFM	SP	Fan RPM	BHP	Sones	HP	Volts	Phase	Hertz	Encl
1													
2													
3													
4													
5													

ACCESSORY ITEMS	1	2	3	4	5	ACCESSORY ITEMS	1	2	3	4	5
<input type="checkbox"/>						<input type="checkbox"/>					
<input type="checkbox"/>						<input type="checkbox"/>					
<input type="checkbox"/>						<input type="checkbox"/>					
<input type="checkbox"/>						<input type="checkbox"/>					
<input type="checkbox"/>						<input type="checkbox"/>					