

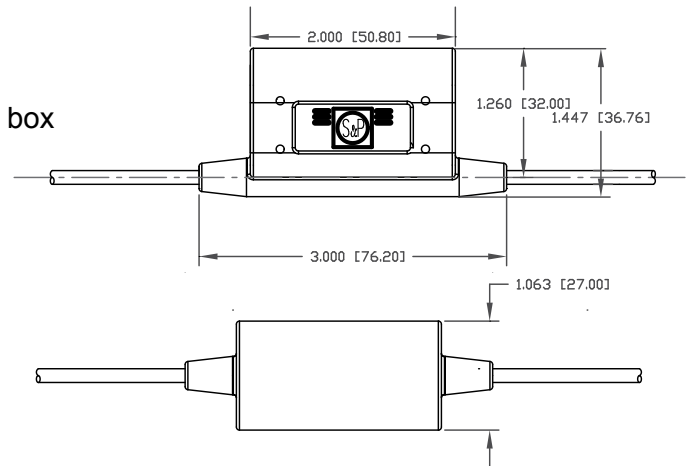


CVC - Continuous Ventilation Control

Features

- Reduces remodeling costs, helps meet ASHRAE 62.2 requirements
- Perfect for homes, apartments, dorms, hotels and elderly housing
- Economical and easy to install in your existing wall box
- Works with most fan controls, i.e. motion sensors, timers, speed controllers.
- Improves the indoor air quality in your home
- Undetectable, efficient and effective
- Operates with any standard switch
- No programming required
- 120V, 60 Hz, 3A Maximum

Dimensions in Inches (mm)



CVC Model	TD Fan Size	Application	Max. Flow	Continuous Flow @ .25"SP
CVC-100	100	Single Inlet	101 CFM	20 CFM
CVC-100x	100x	Single Inlet	135 CFM	20 CFM
CVC-150	150	Single Inlet	218 CFM	20 CFM
		Dual Inlet	293 CFM	40 CFM

ACCESSORY MODEL	1	2	3	4	5	REMARKS

Project: _____	Submitted: _____
Customer: _____	Approved: _____
Location: _____	

S&P will not be responsible for fabrication changes or errors resulting from customer use of a non-current submittal drawing.