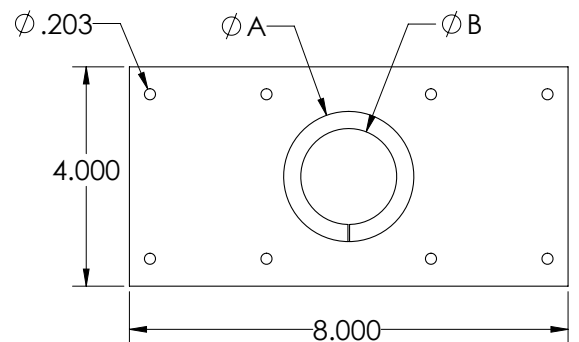
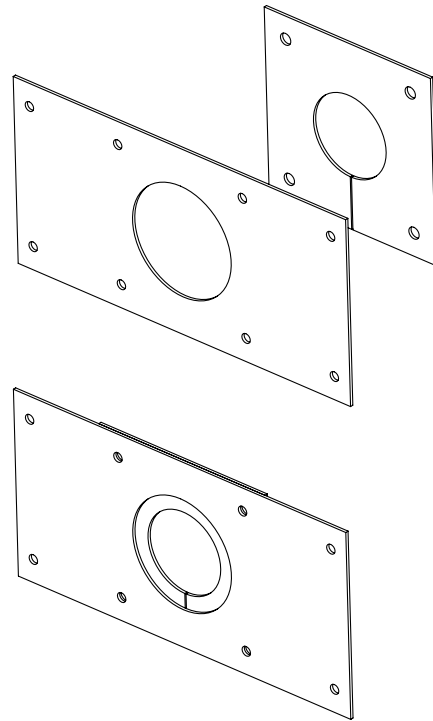


Features

- 14GA aluminum cover plate secures seal and prevents sparks.
- Seal is made from non-asbestos fibrous material.
- Helps reduce heat and air transfer from the wheel compartment.

CM MODEL	A (IN)	B (IN)
10	2	3/4
12	2	1
14	2	1
16	2	1
18	2	1-1/2
20	2	1-1/2
22	2	1-1/2
24	2	1-1/2
27	2	1-3/4
30	2	1-3/4
36	2.375	2



ACCESSORY MODEL	1	2	3	4	5	REMARKS

Project: _____	Submitted: _____
Customer: _____	Approved: _____
Location: _____	

JencoFan will not be responsible for fabrication changes or errors resulting from customer use of a non-current submittal drawing.