



P: 800.961.7370
www.solerpalau-usa.com

AUTOMATIC WALL SHUTTER- MODEL 304SS

FEATURES

Frame

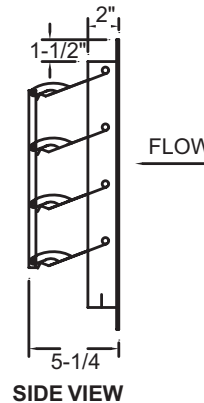
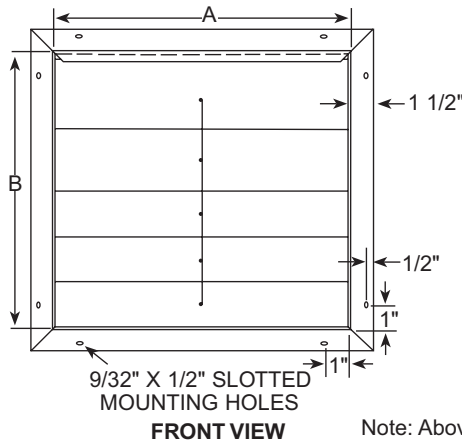
- .039 min. gauge 304 stainless steel.
- Welded frame provide rigidity and durability.
- Integrated weather stripping incorporated into frame for additional strength and weather protection.
- Prepunch oblong mounting holes.

Ratings

- Maximum recommended velocity is 2,500 FPM
- Temperature - -40 F to 180 F

Blades

- .016 gauge 304 stainless steel.
- Stainless steel reinforcement rod fasten blades to frame for added strength.
- Center-mounted stainless steel tie-rod connects blades for uniform opening and closing on face of the unit.
- 304 stainless steel rods, rivets and bushings.
- Opens freely to allow full 90 degree opening and closing



Note: Above dimensions + or - normal tolerance of .0625"

Dimensions in Inches

Part No.	Inside Frame Dimensions (W x H)	Overall Frame Dimensions (W x H)	Required Hole Opening (W x H)	Face Area (Sq. Ft.)	Est. Free Area (Sq. Ft.)	No. of Panels	Est. Shipping Weight (lbs)
304SS12	12 x 12	15 x 15	12.5 x 12.5	1.00	.82	1	4.5
304SS16	16 x 16	19 x 19	16.5 x 16.5	1.78	1.51	1	6
304SS20	20 x 20	23 x 23	20.5 x 20.5	2.78	2.41	1	8.5
304SS24	24 x 24	27 x 27	24.5 x 24.5	4.00	3.25	2	11.5
304SS30	30 x 30	33 x 33	30.5 x 30.5	6.25	5.44	2	16
304SS36	36 x 36	39 x 39	36.5 x 36.5	9.00	7.69	2	21

Note: Dimensions are approximate due to normal tolerances in the manufacturing process. Estimated Free Area calculation is based upon the following formula: $MD[A+B+(N \times C)]/144$. Free Area x FPM = CFM; actual performance may vary.

