



HR SERIES DEHUMIDISTAT OPTIONS INSTALLATION INSTRUCTIONS

HRRD-1 DEHUMIDISTAT



The HRRD-1 allows the homeowner to select the humidity percentage

Features

- Dehumidistat to select the humidity level
- Compatible with the HR100V, HR160H and HR220H

Electrical Diagram (See figure 3.0)

HRRD-3P DEHUMIDISTAT PROFESSIONAL



The HRRD-3P allows the homeowner to select the humidity percentage, fan range and operation modes.

Features

- Dehumidistat to select the humidity level
- Speed Control (Off, Normal and Reduced)
- Mode Control (Intermittent and Continuous)
- Light On/Override Indicator
- Compatible with the HR100V, HR160H and HR220H

Electrical Diagram (See figure 3.1)

Electrical Diagram

Figure 3.0

Ref.: HRRD-1

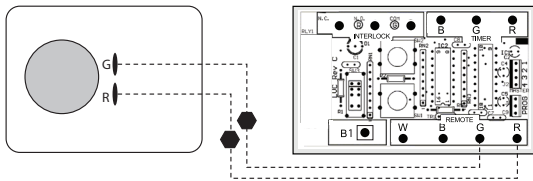
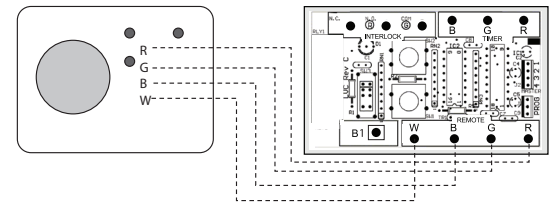


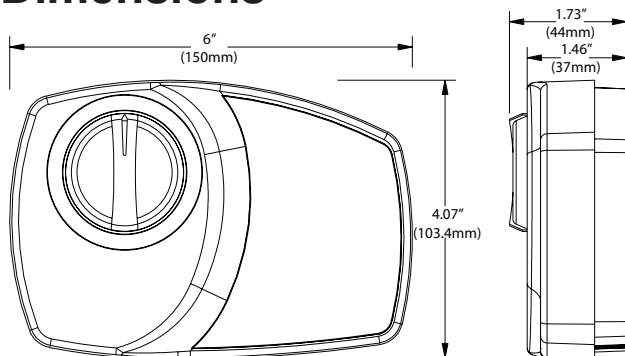
Figure 3.1

Ref.: HRRD-3P



WARNING: Always unplug the unit before installation

Dimensions



S&P USA Ventilation Systems, LLC **S&P Canada Ventilation Products, Inc.**

6393 Powers Avenue
Jacksonville, FL 32217
P. 904-731-4711 · F. 904-737-8322
www.spvg-northamerica.com

5600 Ambler Drive
Mississauga, ON L4W 2K9 - Canada
Tel. 416-744-1217 · Fax 416-744-0887
www.solerpalaucanada.com