

MODEL FEATURES

- Supply air up to 12,600 CFM in static pressure capabilities to 2.5" w.g.
- Heavy-galvanized construction
- Belt drives permit easy performance adjustments when needed
- Forward curved centrifugal blower for efficient air flow at low sound levels
- Filters are washable and reusable

MODEL OVERVIEW

Model KSFV fans are roof curb or curb cap mounted filtered supply fans rated from 475 to over 12,000 CFM, with static pressure capabilities to 2.5". They are specifically designed for filtered make-up air in kitchen hood applications. Model KSFV's rugged design with heavy-gauge galvanized construction provides maximum weather protection, long life and the utmost in performance efficiency. The forward curved centrifugal blower provides efficient air flow at low sound levels with static pressure capabilities to handle ducted air systems or hoods within a building. The filters are washable and are reusable to reduce maintenance costs. .

The primary use of these fans is for filtered make-up air in kitchen hood applications but may also be specified for make-up air in commercial and industrial applications such as manufacturing and assembly areas.

Model KSFV is available in our Quickship program. Sizes 9-18 are available for next day or 3-day shipping from stock.



CONSTRUCTION/SPECIFICATION CHECKLIST

Blower

- Statically and dynamically balanced forward curved wheel.
- 12-gauge galvanized steel blower plate/discharge opening.
- 18-gauge galvanized steel housing.
- Prepunched mounting holes.
- Conduit opening for wiring from below unit.

Motors

- 1 year warranty.
- Single speed open drip-proof are standard.
- Explosion-proof, totally enclosed and two-speed motors are available.
- All motors are rated for continuous duty.
- 182T and larger motors shipped unmounted for field installation.
- Disconnect switch standard with single speed drip-proof and totally enclosed motors.

Hood

- Heavy-gauge galvanized steel hood.
- 1 inch washable aluminum mesh filters.

Drives

- Adjustable motor pulleys are standard.
- Sized for minimum 150% of drive horsepower.
- Machined cast iron adjustable motor pulleys.
- Pivoting motor plate for belt tensioning.
- Nonstatic oil resistant V-belts.

Certifications

- AMCA Air and Sound Licensed.
- cULus Standard 705 Listed Power Roof Ventilator label assures electrical reliability.

All specifications are subject to change without notice unless approved in submittal by JencoFan.

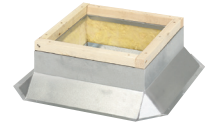
Industry best 2 year fan housing warranty, 1 year motor warranty

OPTIONS/ACCESSORIES

Insulated Hood: High performance and ecologically friendly fiberglass free insulation only.

Intake Extension: Extensions are available for all size KSFV fans to provide NFPA required clearance from the exhaust fan on factory supplied common curbs. Extensions are made from heavy-gauge galvanized steel and require equipment supports on the intake end.

Roof Curb: Prefabricated heavy-gauge galvanized steel, welded construction, 12" high with 1-1/2" wood nailer. Options include single and double pitch construction and additional curb heights.



Motor Operated Damper: Motor operated aluminum damper for positive closure against backdraft (counter balanced).

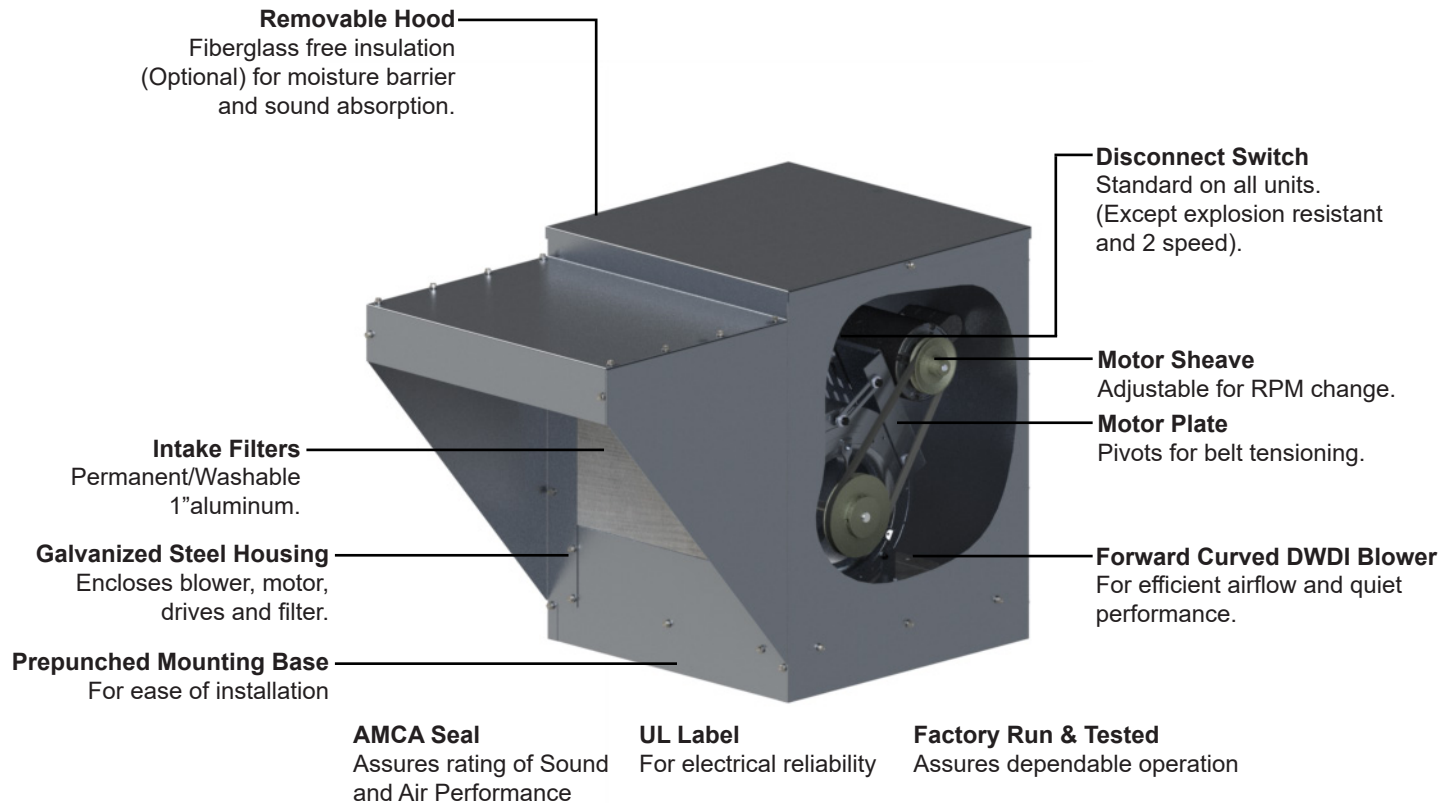


Automatic Damper: Automatic aluminum damper for ease in installation and effective backdraft protection (counter balanced).

Duct Adapter: For ease in connecting discharge duct to fan outlet.

Common Curb: Designed to allow both the supply fan and exhaust fan to be mounted on the same curb. This curb requires only one roof opening and speeds installation time.

Special Coatings: For protective and decorative purposes. Available coatings include: Epoxy, Synthetic Resin, and Heresite (air-dried phenolic). Contact your JencoFan representative or the factory for more information on available coatings and colors.





PERFORMANCE/DIMENSIONS

KSFV9

MODEL KSFV	CFM	OV		Static Pressure in Inches w.g.									
				1/8	1/4	3/8	1/2	5/8	3/4	1	1 1/4	1 1/2	
9	475	534	RPM	466	-	-	-	-	-	-	-	-	-
			BHP	0.03	-	-	-	-	-	-	-	-	-
			SONES	6.4	-	-	-	-	-	-	-	-	-
	575	646	RPM	503	-	-	-	-	-	-	-	-	-
			BHP	0.04	-	-	-	-	-	-	-	-	-
			SONES	8.0	-	-	-	-	-	-	-	-	-
	675	758	RPM	541	661	-	-	-	-	-	-	-	-
			BHP	0.05	0.08	-	-	-	-	-	-	-	-
			SONES	9.8	16.5	-	-	-	-	-	-	-	-
	775	871	RPM	578	697	-	-	-	-	-	-	-	-
			BHP	0.07	0.10	-	-	-	-	-	-	-	-
			SONES	11.9	19.3	-	-	-	-	-	-	-	-
	875	983	RPM	623	735	826	-	-	-	-	-	-	-
			BHP	0.09	0.12	0.16	-	-	-	-	-	-	-
			SONES	15.0	22.2	27.2	-	-	-	-	-	-	-
	975	1096	RPM	671	772	863	941	-	-	-	-	-	-
			BHP	0.12	0.15	0.19	0.23	-	-	-	-	-	-
			SONES	19.0	23.9	29.0	33.5	-	-	-	-	-	-
	1075	1208	RPM	719	809	901	978	1047	-	-	-	-	-
			BHP	0.15	0.19	0.23	0.27	0.31	-	-	-	-	-
			SONES	23.8	26.1	30.9	35.3	39.7	-	-	-	-	-
	1175	1320	RPM	762	851	939	1014	1083	1146	-	-	-	-
			BHP	0.18	0.23	0.27	0.32	0.36	0.41	-	-	-	-
			SONES	26.9	29.1	32.8	37.4	41.8	46.2	-	-	-	-
1275	1433	RPM	807	898	976	1052	1121	1182	-	-	-	-	
		BHP	0.22	0.27	0.32	0.37	0.42	0.47	-	-	-	-	
		SONES	30.0	32.5	34.9	39.6	44.1	48.6	-	-	-	-	
1375	1545	RPM	857	948	1015	1091	1158	1219	1330	-	-	-	
		BHP	0.27	0.33	0.37	0.43	0.48	0.54	0.64	-	-	-	
		SONES	33.4	36.1	37.9	41.9	46.5	52.3	66.0	-	-	-	
1475	1657	RPM	910	997	1059	1127	1196	1257	1366	1464	-	-	
		BHP	0.33	0.39	0.44	0.49	0.56	0.61	0.72	0.83	-	-	
		SONES	37.2	39.8	41.5	44.2	49.6	56.4	70.9	86.7	-	-	
1575	1770	RPM	962	1041	1107	1166	1232	1295	1403	1500	1592	-	
		BHP	0.40	0.46	0.51	0.57	0.63	0.69	0.81	0.93	1.05	-	
		SONES	41.3	43.3	45.5	47.7	53.5	61.0	76.4	89.3	99.2	-	
1675	1882	RPM	1016	1084	1156	1210	1270	1333	1441	1537	-	-	
		BHP	0.47	0.53	0.60	0.65	0.71	0.78	0.91	1.04	-	-	
		SONES	45.6	46.8	49.8	52.9	58.3	65.6	82.5	92.3	-	-	
1975	2219	RPM	1177	1228	1294	1355	1401	1447	-	-	-	-	
		BHP	0.75	0.81	0.89	0.97	1.03	1.10	-	-	-	-	
		SONES	60.3	62.2	68.4	75.0	80.1	84.4	-	-	-	-	
2075	2331	RPM	1232	1281	1338	1404	-	-	-	-	-	-	
		BHP	0.86	0.93	1.00	1.09	-	-	-	-	-	-	
		SONES	68.1	70.6	75.8	84.8	-	-	-	-	-	-	
2175	2444	RPM	1286	1333	1383	-	-	-	-	-	-	-	
		BHP	0.99	1.05	1.12	-	-	-	-	-	-	-	
		SONES	77.2	80.3	84.9	-	-	-	-	-	-	-	
2275	2556	RPM	1340	-	-	-	-	-	-	-	-	-	
		BHP	1.12	-	-	-	-	-	-	-	-	-	
		SONES	88.6	-	-	-	-	-	-	-	-	-	



JencoFan, Div. of Soler & Palau Ventilation Group, certifies that the Models KSFV shown herein are licensed to bear the AMCA Seal. The ratings shown are based on test and procedures performed in accordance with AMCA Publication 211 and AMCA Publication 311 and comply with the requirement of the AMCA Certified Ratings Program.



Performance certified is for installation type B: free inlet, ducted outlet. Power rating (BHP) does not include transmission losses. Performance ratings do not include the effects of appurtenances (accessories). The sound ratings shown are loudness values in fan sones at a distance of 1.5 m (5 ft) in a hemispherical free field calculated per AMCA International Standard 301. Values shown are for installation type B: ducted outlet hemispherical sone levels. Ratings do not include the effect of duct end correction.



KSFV10

MODEL KSFV	CFM	OV		Static Pressure in Inches w.g.											
				1/8	1/4	3/8	1/2	5/8	3/4	1	1 1/4	1 1/2	2		
10	950	896	RPM	409	524	629	-	-	-	-	-	-	-	-	-
			BHP	0.06	0.10	0.14	-	-	-	-	-	-	-	-	-
			SONES	5.4	5.9	8.7	-	-	-	-	-	-	-	-	-
	1090	1028	RPM	435	540	636	726	-	-	-	-	-	-	-	-
			BHP	0.09	0.12	0.16	0.21	-	-	-	-	-	-	-	-
			SONES	7.3	7.0	9.2	12.5	-	-	-	-	-	-	-	-
	1230	1160	RPM	463	561	648	733	812	887	-	-	-	-	-	-
			BHP	0.11	0.15	0.20	0.24	0.29	0.35	-	-	-	-	-	-
			SONES	8.6	8.4	10.1	12.9	16.3	18.6	-	-	-	-	-	-
	1370	1292	RPM	494	583	666	743	819	891	-	-	-	-	-	-
			BHP	0.14	0.19	0.24	0.28	0.34	0.39	-	-	-	-	-	-
			SONES	9.9	10.3	11.4	13.8	16.8	18.9	-	-	-	-	-	-
	1510	1425	RPM	527	608	687	760	829	897	1026	-	-	-	-	-
			BHP	0.18	0.23	0.28	0.33	0.39	0.45	0.57	-	-	-	-	-
			SONES	11.5	12.7	13.1	15.1	17.4	19.3	23.7	-	-	-	-	-
	1650	1557	RPM	560	636	710	779	845	907	1031	1146	-	-	-	-
			BHP	0.23	0.28	0.34	0.39	0.45	0.51	0.64	0.78	-	-	-	-
			SONES	13.1	14.3	15.0	16.7	18.4	20.0	24.1	28.4	-	-	-	-
	1790	1689	RPM	594	666	734	801	864	923	1039	1151	1255	-	-	-
			BHP	0.28	0.34	0.40	0.46	0.52	0.58	0.72	0.86	1.01	-	-	-
			SONES	15.0	15.9	17.4	18.5	19.8	21.0	24.7	28.7	33.5	-	-	-
	1930	1821	RPM	629	697	761	823	884	941	1050	1157	1259	-	-	-
			BHP	0.34	0.40	0.47	0.53	0.59	0.66	0.80	0.95	1.11	-	-	-
			SONES	16.9	17.7	19.3	20.5	21.3	22.3	25.4	29.3	33.9	-	-	-
	2070	1953	RPM	664	729	789	848	906	962	1066	1167	1266	1449	-	-
			BHP	0.41	0.48	0.54	0.61	0.68	0.75	0.90	1.05	1.22	1.56	-	-
			SONES	18.8	19.7	21.1	22.6	22.9	23.9	26.6	30.0	34.5	46.2	-	-
	2210	2085	RPM	700	762	819	875	930	983	1085	1180	1274	1453	-	-
			BHP	0.49	0.56	0.63	0.70	0.78	0.85	1.00	1.16	1.33	1.69	-	-
			SONES	20.6	21.6	22.9	24.2	24.8	25.6	28.0	31.0	35.3	46.6	-	-
2350	2217	RPM	737	796	851	903	955	1006	1105	1196	1285	1459	-	-	
		BHP	0.58	0.66	0.73	0.81	0.88	0.96	1.12	1.28	1.46	1.83	-	-	
		SONES	22.5	23.6	24.5	25.7	27.1	27.5	29.6	32.3	36.4	47.2	-	-	
2490	2349	RPM	774	830	883	932	982	1031	1126	1215	1300	1467	-	-	
		BHP	0.68	0.77	0.84	0.92	1.00	1.08	1.25	1.42	1.60	1.98	-	-	
		SONES	24.5	25.6	26.3	27.3	28.7	29.7	31.3	33.9	37.8	48.1	-	-	
2630	2481	RPM	811	865	916	963	1010	1057	1148	1236	1318	1477	-	-	
		BHP	0.80	0.88	0.96	1.05	1.13	1.22	1.39	1.57	1.75	2.14	-	-	
		SONES	26.6	27.6	28.2	29.1	30.3	31.7	33.2	36.0	39.6	49.2	-	-	
2770	2613	RPM	849	900	949	995	1040	1084	1172	1257	1337	-	-	-	
		BHP	0.92	1.01	1.10	1.18	1.27	1.36	1.54	1.73	1.92	-	-	-	
		SONES	28.5	29.7	30.3	31.0	32.1	33.4	35.6	38.2	41.6	-	-	-	
2910	2745	RPM	887	935	983	1027	1070	1113	1196	1279	1358	-	-	-	
		BHP	1.06	1.15	1.25	1.33	1.43	1.52	1.71	1.90	2.10	-	-	-	
		SONES	30.5	31.7	32.4	33.0	34.0	35.3	38.3	40.5	43.8	-	-	-	
3050	2877	RPM	925	971	1017	1060	1102	1142	1223	1301	1379	-	-	-	
		BHP	1.21	1.31	1.41	1.50	1.59	1.69	1.89	2.09	2.30	-	-	-	
		SONES	32.7	33.8	34.7	35.4	36.3	37.6	40.9	43.0	46.1	-	-	-	
3190	3009	RPM	964	1007	1052	1094	1134	1173	1250	1326	-	-	-	-	
		BHP	1.38	1.48	1.58	1.68	1.78	1.88	2.08	2.29	-	-	-	-	
		SONES	35.0	36.1	37.2	38.0	38.8	40.1	43.2	46.1	-	-	-	-	
3330	3142	RPM	1003	1044	1087	1127	1167	1204	1279	-	-	-	-	-	
		BHP	1.56	1.66	1.77	1.87	1.97	2.08	2.29	-	-	-	-	-	
		SONES	37.4	38.5	39.8	40.5	41.3	42.5	45.6	-	-	-	-	-	
3470	3274	RPM	1042	1080	1122	1161	1200	1237	-	-	-	-	-	-	
		BHP	1.76	1.86	1.98	2.08	2.19	2.30	-	-	-	-	-	-	
		SONES	40.0	41.0	42.4	43.1	43.9	45.3	-	-	-	-	-	-	
3610	3406	RPM	1081	1117	1157	-	-	-	-	-	-	-	-	-	
		BHP	1.97	2.07	2.20	-	-	-	-	-	-	-	-	-	
		SONES	42.6	43.6	45.0	-	-	-	-	-	-	-	-	-	
3750	3538	RPM	1120	-	-	-	-	-	-	-	-	-	-	-	
		BHP	2.20	-	-	-	-	-	-	-	-	-	-	-	
		SONES	45.5	-	-	-	-	-	-	-	-	-	-	-	



JencoFan, Div. of Soler & Palau Ventilation Group, certifies that the Models KSFV shown herein are licensed to bear the AMCA Seal. The ratings shown are based on test and procedures performed in accordance with AMCA Publication 211 and AMCA Publication 311 and comply with the requirement of the AMCA Certified Ratings Program.



Performance certified is for installation type B: free inlet, ducted outlet. Power rating (BHP) does not include transmission losses. Performance ratings do not include the effects of appurtenances (accessories). The sound ratings shown are loudness values in fan sones at a distance of 1.5 m (5 ft) in a hemispherical free field calculated per AMCA International Standard 301. Values shown are for installation type B: ducted outlet hemispherical sone levels. Ratings do not include the effect of duct end correction.



KSFV12

MODEL KSFV	CFM	OV		Static Pressure in Inches w.g.						
				1/8	1/4	3/8	1/2	5/8	3/4	1
1150	737	RPM	366	-	-	-	-	-	-	-
		BHP	0.08	-	-	-	-	-	-	-
		SONES	6.5	-	-	-	-	-	-	-
1310	840	RPM	380	-	-	-	-	-	-	-
		BHP	0.10	-	-	-	-	-	-	-
		SONES	7.6	-	-	-	-	-	-	-
1470	942	RPM	398	499	-	-	-	-	-	-
		BHP	0.13	0.19	-	-	-	-	-	-
		SONES	8.6	10.0	-	-	-	-	-	-
1630	1045	RPM	420	517	-	-	-	-	-	-
		BHP	0.16	0.24	-	-	-	-	-	-
		SONES	9.7	11.6	-	-	-	-	-	-
1790	1147	RPM	444	531	610	-	-	-	-	-
		BHP	0.20	0.27	0.35	-	-	-	-	-
		SONES	11.1	12.9	14.5	-	-	-	-	-
1950	1250	RPM	470	547	629	-	-	-	-	-
		BHP	0.25	0.31	0.42	-	-	-	-	-
		SONES	12.5	14.2	16.0	-	-	-	-	-
2110	1353	RPM	496	566	644	709	-	-	-	-
		BHP	0.30	0.37	0.47	0.56	-	-	-	-
		SONES	13.9	15.5	17.6	20.0	-	-	-	-
2270	1455	RPM	523	588	658	728	-	-	-	-
		BHP	0.37	0.44	0.52	0.65	-	-	-	-
		SONES	15.5	17.0	19.0	21.3	-	-	-	-
2430	1558	RPM	550	613	675	743	801	-	-	-
		BHP	0.44	0.52	0.60	0.72	0.84	-	-	-
		SONES	17.3	18.7	20.6	22.4	24.2	-	-	-
2590	1660	RPM	578	638	695	757	819	869	-	-
		BHP	0.52	0.60	0.68	0.79	0.95	1.04	-	-
		SONES	19.2	20.4	22.0	23.7	25.5	27.0	-	-
2750	1763	RPM	606	664	716	773	833	888	-	-
		BHP	0.61	0.70	0.79	0.88	1.03	1.18	-	-
		SONES	21.0	22.3	23.5	25.2	26.6	28.4	-	-
2910	1865	RPM	635	690	740	792	848	904	-	-
		BHP	0.71	0.81	0.90	0.99	1.11	1.29	-	-
		SONES	23.0	24.1	25.1	26.6	28.1	29.6	-	-
3070	1968	RPM	664	716	765	812	864	918	1013	-
		BHP	0.83	0.93	1.02	1.12	1.23	1.39	1.69	-
		SONES	24.9	25.9	26.9	28.0	29.7	31.1	34.5	-
3230	2071	RPM	694	743	790	835	882	932	1032	-
		BHP	0.95	1.06	1.16	1.26	1.36	1.50	1.88	-
		SONES	27.0	27.7	28.6	29.6	31.1	32.7	36.5	-
3390	2173	RPM	724	770	817	859	903	949	1046	-
		BHP	1.09	1.20	1.31	1.41	1.52	1.64	2.01	-
		SONES	28.9	29.5	30.5	31.4	32.7	34.4	38.0	-
3550	2276	RPM	754	797	842	884	925	968	1060	-
		BHP	1.24	1.35	1.47	1.58	1.69	1.81	2.14	-
		SONES	30.9	31.5	32.4	33.3	34.4	36.0	39.6	-
3710	2378	RPM	784	825	868	910	948	989	1075	-
		BHP	1.40	1.52	1.64	1.76	1.88	1.99	2.28	-
		SONES	33.0	33.5	34.4	35.4	36.4	37.8	41.2	-
3870	2481	RPM	814	854	895	936	973	1010	-	-
		BHP	1.58	1.71	1.83	1.96	2.08	2.20	-	-
		SONES	35.3	35.8	36.6	37.6	38.6	39.7	-	-
4030	2583	RPM	845	883	921	962	998	-	-	-
		BHP	1.78	1.90	2.03	2.17	2.29	-	-	-
		SONES	37.6	38.0	38.7	39.8	40.7	-	-	-
4190	2686	RPM	876	912	949	-	-	-	-	-
		BHP	1.99	2.12	2.26	-	-	-	-	-
		SONES	39.9	40.3	41.0	-	-	-	-	-
4350	2788	RPM	906	-	-	-	-	-	-	-
		BHP	2.22	-	-	-	-	-	-	-
		SONES	42.3	-	-	-	-	-	-	-

12



JencoFan, Div. of Soler & Palau Ventilation Group, certifies that the Models KSFV shown herein are licensed to bear the AMCA Seal. The ratings shown are based on test and procedures performed in accordance with AMCA Publication 211 and AMCA Publication 311 and comply with the requirement of the AMCA Certified Ratings Program.



Performance certified is for installation type B: free inlet, ducted outlet. Power rating (BHP) does not include transmission losses. Performance ratings do not include the effects of appurtenances (accessories). The sound ratings shown are loudness values in fan zones at a distance of 1.5 m (5 ft) in a hemispherical free field calculated per AMCA International Standard 301. Values shown are for installation type B: ducted outlet hemispherical zone levels. Ratings do not include the effect of duct end correction.

KSFV15

MODEL KSFV	CFM	OV		Static Pressure in Inches w.g.									
				1/8	1/4	3/8	1/2	5/8	3/4	1	1 1/4	1 1/2	
15	1625	789	RPM	299	-	-	-	-	-	-	-	-	-
			BHP	0.11	-	-	-	-	-	-	-	-	-
			SONES	5.8	-	-	-	-	-	-	-	-	-
	1840	893	RPM	317	390	-	-	-	-	-	-	-	-
			BHP	0.14	0.20	-	-	-	-	-	-	-	-
			SONES	7.8	6.2	-	-	-	-	-	-	-	-
	2055	998	RPM	335	403	-	-	-	-	-	-	-	-
			BHP	0.18	0.24	-	-	-	-	-	-	-	-
			SONES	8.9	7.8	-	-	-	-	-	-	-	-
	2270	1102	RPM	355	420	479	-	-	-	-	-	-	-
			BHP	0.23	0.29	0.36	-	-	-	-	-	-	-
			SONES	10.0	10.0	9.4	-	-	-	-	-	-	-
	2485	1206	RPM	376	438	491	546	-	-	-	-	-	-
			BHP	0.28	0.36	0.43	0.51	-	-	-	-	-	-
			SONES	11.4	12.9	10.8	12.1	-	-	-	-	-	-
	2700	1311	RPM	398	456	508	557	608	-	-	-	-	-
			BHP	0.35	0.43	0.51	0.59	0.68	-	-	-	-	-
			SONES	12.8	14.3	13.2	13.4	15.4	-	-	-	-	-
	2915	1415	RPM	421	475	526	571	617	-	-	-	-	-
			BHP	0.42	0.51	0.60	0.68	0.77	-	-	-	-	-
			SONES	14.3	15.6	16.0	15.2	16.4	-	-	-	-	-
	3130	1519	RPM	444	495	544	587	629	673	-	-	-	-
			BHP	0.51	0.60	0.70	0.79	0.88	0.98	-	-	-	-
			SONES	16.0	17.1	18.8	17.5	17.8	18.5	-	-	-	-
	3345	1624	RPM	468	515	562	605	645	684	-	-	-	-
			BHP	0.61	0.70	0.81	0.91	1.01	1.11	-	-	-	-
			SONES	17.8	18.7	20.3	20.4	19.6	19.6	-	-	-	-
3560	1728	RPM	492	536	581	623	662	698	775	-	-	-	
		BHP	0.72	0.82	0.93	1.04	1.14	1.25	1.48	-	-	-	
		SONES	19.6	20.4	21.9	23.4	21.7	21.4	22.7	-	-	-	
3775	1833	RPM	517	558	600	642	680	715	785	-	-	-	
		BHP	0.85	0.95	1.07	1.18	1.29	1.40	1.64	-	-	-	
		SONES	21.4	22.3	23.6	24.9	24.7	23.4	23.9	-	-	-	
3990	1937	RPM	542	581	620	660	698	732	798	866	-	-	
		BHP	0.99	1.10	1.22	1.34	1.46	1.58	1.81	2.07	-	-	
		SONES	23.4	24.2	25.2	26.4	27.6	26.0	25.4	27.1	-	-	
4205	2041	RPM	567	604	641	679	716	750	813	877	942	-	
		BHP	1.15	1.26	1.38	1.51	1.64	1.76	2.01	2.27	2.55	-	
		SONES	25.4	26.2	26.9	28.0	29.2	29.4	27.3	28.3	31.0	-	
4420	2146	RPM	592	627	662	699	735	768	830	890	951	-	
		BHP	1.32	1.44	1.56	1.70	1.84	1.97	2.22	2.49	2.78	-	
		SONES	27.5	28.0	28.6	29.6	30.8	32.0	29.6	30.0	32.3	-	
4635	2250	RPM	617	651	684	719	754	786	848	905	962	-	
		BHP	1.51	1.63	1.76	1.90	2.05	2.19	2.46	2.73	3.02	-	
		SONES	29.5	29.9	30.4	31.4	32.6	33.8	32.9	32.4	34.0	-	
4850	2354	RPM	642	675	707	740	773	805	866	921	975	-	
		BHP	1.72	1.85	1.98	2.12	2.27	2.42	2.71	2.99	3.28	-	
		SONES	31.4	31.9	32.4	33.2	34.4	35.6	36.7	35.1	36.0	-	
5065	2459	RPM	668	700	730	761	793	824	884	938	-	-	
		BHP	1.94	2.08	2.21	2.35	2.51	2.68	2.98	3.27	-	-	
		SONES	33.5	34.0	34.5	35.3	36.3	37.6	40.1	38.1	-	-	
5280	2563	RPM	693	724	754	783	813	844	902	-	-	-	
		BHP	2.19	2.33	2.47	2.61	2.77	2.95	3.26	-	-	-	
		SONES	35.7	36.3	36.8	37.4	38.4	39.6	42.0	-	-	-	
5495	2667	RPM	719	749	777	805	834	864	-	-	-	-	
		BHP	2.45	2.60	2.75	2.90	3.06	3.23	-	-	-	-	
		SONES	38.1	38.6	39.1	39.7	40.5	41.6	-	-	-	-	
5710	2772	RPM	745	774	801	828	855	-	-	-	-	-	
		BHP	2.74	2.90	3.05	3.20	3.36	-	-	-	-	-	
		SONES	40.4	40.9	41.5	42.0	42.8	-	-	-	-	-	
5925	2876	RPM	770	799	825	-	-	-	-	-	-	-	
		BHP	3.05	3.21	3.37	-	-	-	-	-	-	-	
		SONES	42.9	43.4	44.0	-	-	-	-	-	-	-	



JencoFan, Div. of Soler & Palau Ventilation Group, certifies that the Models KSFV shown herein are licensed to bear the AMCA Seal. The ratings shown are based on test and procedures performed in accordance with AMCA Publication 211 and AMCA Publication 311 and comply with the requirement of the AMCA Certified Ratings Program.



Performance certified is for installation type B: free inlet, ducted outlet. Power rating (BHP) does not include transmission losses. Performance ratings do not include the effects of appurtenances (accessories). The sound ratings shown are loudness values in fan sones at a distance of 1.5 m (5 ft) in a hemispherical free field calculated per AMCA International Standard 301. Values shown are for installation type B: ducted outlet hemispherical sone levels. Ratings do not include the effect of duct end correction.



KSFV18

MODEL KSFV	CFM	OV		Static Pressure in Inches w.g.										
				1/8	1/4	3/8	1/2	5/8	3/4	1	1 1/4	1 1/2	2	
18	2200	759	RPM	270	333	-	-	-	-	-	-	-	-	-
			BHP	0.16	0.23	-	-	-	-	-	-	-	-	-
			SONES	7.4	9.2	-	-	-	-	-	-	-	-	-
	2490	859	RPM	291	346	400	-	-	-	-	-	-	-	-
			BHP	0.22	0.29	0.38	-	-	-	-	-	-	-	-
			SONES	8.9	10.3	13.3	-	-	-	-	-	-	-	-
	2780	959	RPM	311	360	412	459	-	-	-	-	-	-	-
			BHP	0.29	0.36	0.45	0.55	-	-	-	-	-	-	-
			SONES	10.4	11.6	14.4	16.5	-	-	-	-	-	-	-
	3070	1059	RPM	330	379	424	470	512	-	-	-	-	-	-
			BHP	0.36	0.45	0.54	0.65	0.75	-	-	-	-	-	-
			SONES	12.0	13.5	15.5	17.6	19.6	-	-	-	-	-	-
	3360	1159	RPM	351	400	438	482	522	560	-	-	-	-	-
			BHP	0.45	0.56	0.65	0.76	0.87	0.99	-	-	-	-	-
			SONES	13.8	15.6	16.8	18.7	20.5	22.6	-	-	-	-	-
	3650	1259	RPM	372	421	456	494	534	571	-	-	-	-	-
			BHP	0.56	0.68	0.77	0.88	1.01	1.13	-	-	-	-	-
			SONES	15.7	17.3	18.5	19.9	21.8	23.8	-	-	-	-	-
3940	1359	RPM	395	440	477	509	547	583	648	-	-	-	-	
		BHP	0.68	0.81	0.92	1.03	1.16	1.29	1.55	-	-	-	-	
		SONES	17.9	19.1	20.4	21.4	23.0	25.2	29.6	-	-	-	-	
4230	1459	RPM	419	459	498	528	560	595	660	721	-	-	-	
		BHP	0.83	0.96	1.09	1.20	1.32	1.46	1.75	2.05	-	-	-	
		SONES	20.0	20.8	22.2	23.1	24.5	26.6	31.1	36.2	-	-	-	
4520	1559	RPM	443	480	518	549	576	608	672	730	-	-	-	
		BHP	1.00	1.13	1.28	1.40	1.52	1.66	1.96	2.27	-	-	-	
		SONES	22.0	22.6	24.0	25.2	26.4	28.2	32.7	37.5	-	-	-	
4810	1659	RPM	467	501	538	570	596	623	684	741	794	-	-	
		BHP	1.19	1.32	1.48	1.62	1.75	1.88	2.19	2.51	2.85	-	-	
		SONES	24.0	24.7	25.9	27.5	28.7	30.0	34.4	39.1	44.3	-	-	
5100	1759	RPM	492	522	557	591	617	641	696	753	805	-	-	
		BHP	1.40	1.53	1.71	1.87	2.00	2.13	2.44	2.78	3.13	-	-	
		SONES	26.2	26.7	27.9	29.8	31.0	32.3	36.1	40.9	46.0	-	-	
5390	1859	RPM	516	545	577	610	638	662	710	765	816	912	-	
		BHP	1.64	1.77	1.95	2.13	2.28	2.42	2.72	3.08	3.43	4.19	-	
		SONES	28.5	29.1	30.1	31.9	33.6	34.9	38.0	42.8	47.5	55.0	-	
5680	1959	RPM	541	568	598	629	659	682	726	777	829	922	-	
		BHP	1.90	2.04	2.22	2.41	2.58	2.73	3.03	3.39	3.77	4.54	-	
		SONES	30.9	31.5	32.4	34.2	36.2	37.6	40.4	44.7	49.2	56.3	-	
5970	2059	RPM	566	591	619	649	678	704	746	791	841	933	-	
		BHP	2.19	2.34	2.51	2.72	2.91	3.08	3.38	3.73	4.13	4.92	-	
		SONES	33.4	33.9	34.8	36.7	38.7	40.4	43.3	47.1	50.9	57.9	-	
6260	2159	RPM	591	615	641	669	698	724	766	807	853	944	-	
		BHP	2.52	2.66	2.83	3.05	3.25	3.45	3.77	4.11	4.50	5.34	-	
		SONES	36.2	36.7	37.6	39.2	41.3	43.4	46.4	49.6	52.7	59.7	-	
6550	2259	RPM	616	639	663	689	717	744	787	825	868	-	-	
		BHP	2.87	3.02	3.19	3.40	3.63	3.83	4.20	4.53	4.92	-	-	
		SONES	39.4	39.7	40.4	42.0	44.0	46.2	49.7	52.2	54.7	-	-	
6840	2359	RPM	641	664	686	710	737	763	809	845	883	-	-	
		BHP	3.25	3.41	3.57	3.79	4.03	4.25	4.65	5.00	5.37	-	-	
		SONES	42.6	43.0	43.5	44.9	46.8	49.0	52.9	54.8	56.9	-	-	
7130	2459	RPM	666	688	709	732	757	782	830	866	-	-	-	
		BHP	3.66	3.84	4.00	4.21	4.46	4.69	5.13	5.51	-	-	-	
		SONES	46.1	46.4	46.7	48.0	49.9	52.0	55.7	57.7	-	-	-	
7420	2559	RPM	690	713	733	755	778	802	849	-	-	-	-	
		BHP	4.10	4.30	4.47	4.67	4.92	5.17	5.64	-	-	-	-	
		SONES	49.6	50.0	50.3	51.3	53.1	55.3	58.3	-	-	-	-	
7710	2659	RPM	715	738	757	777	799	822	-	-	-	-	-	
		BHP	4.58	4.79	4.97	5.16	5.41	5.67	-	-	-	-	-	
		SONES	53.4	53.9	54.1	54.8	56.5	57.9	-	-	-	-	-	
8000	2759	RPM	740	762	782	800	-	-	-	-	-	-	-	
		BHP	5.10	5.32	5.51	5.70	-	-	-	-	-	-	-	
		SONES	57.4	57.9	58.1	58.5	-	-	-	-	-	-	-	



JencoFan, Div. of Soler & Palau Ventilation Group, certifies that the Models KSFV shown herein are licensed to bear the AMCA Seal. The ratings shown are based on test and procedures performed in accordance with AMCA Publication 211 and AMCA Publication 311 and comply with the requirement of the AMCA Certified Ratings Program.



Performance certified is for installation type B: free inlet, ducted outlet. Power rating (BHP) does not include transmission losses. Performance ratings do not include the effects of appurtenances (accessories). The sound ratings shown are loudness values in fan sones at a distance of 1.5 m (5 ft) in a hemispherical free field calculated per AMCA International Standard 301. Values shown are for installation type B: ducted outlet hemispherical sone levels. Ratings do not include the effect of duct end correction.



KSFV20

MODEL KSFV	CFM	OV		Static Pressure in Inches w.g.											
				1/8	1/4	3/8	1/2	5/8	3/4	1	1 1/4	1 1/2	2	2 1/2	
20	2600	618	RPM	236	294	346	392	433	-	-	-	-	-	-	
			BHP	0.17	0.26	0.37	0.48	0.60	-	-	-	-	-	-	
			SONES	7.0	11.3	15.3	17.7	20.2	-	-	-	-	-	-	
	3100	736	RPM	258	311	358	401	441	479	545	-	-	-	-	
			BHP	0.25	0.35	0.47	0.59	0.72	0.86	1.14	-	-	-	-	
			SONES	8.7	13.2	16.1	18.5	20.8	23.2	28.0	-	-	-	-	
	3600	855	RPM	283	330	374	414	452	487	553	612	-	-	-	
			BHP	0.34	0.46	0.59	0.72	0.87	1.02	1.33	1.66	-	-	-	
			SONES	11.2	15.3	17.3	19.5	21.8	24.0	29.3	37.5	-	-	-	
	4100	974	RPM	309	352	392	429	465	499	561	619	672	-	-	
			BHP	0.47	0.60	0.74	0.88	1.04	1.20	1.54	1.89	2.27	-	-	
			SONES	13.9	16.7	18.8	20.9	22.9	25.0	30.6	39.0	47.0	-	-	
	4600	1093	RPM	337	376	412	447	481	512	572	628	680	774	-	
			BHP	0.62	0.77	0.92	1.08	1.24	1.41	1.77	2.16	2.56	3.39	-	
			SONES	16.5	18.4	20.4	22.4	24.3	26.4	32.5	40.7	47.8	56.1	-	
	5100	1211	RPM	364	401	435	467	498	528	586	639	689	782	865	
			BHP	0.81	0.98	1.14	1.31	1.48	1.67	2.05	2.45	2.88	3.77	4.70	
			SONES	18.4	20.3	22.2	24.0	26.0	28.1	34.7	43.1	48.8	57.2	65.7	
	5600	1330	RPM	393	427	458	489	518	546	601	652	700	790	873	
			BHP	1.04	1.22	1.40	1.58	1.77	1.96	2.36	2.79	3.23	4.17	5.16	
SONES			20.6	22.4	24.1	26.0	27.9	30.5	37.4	45.9	50.1	58.3	66.8		
6100	1449	RPM	421	454	483	512	539	566	618	666	713	800	880		
		BHP	1.30	1.50	1.70	1.89	2.09	2.30	2.72	3.17	3.63	4.62	5.66		
		SONES	22.9	24.6	26.4	28.2	30.4	33.5	40.5	47.9	51.5	59.7	68.0		
6600	1568	RPM	450	481	509	536	562	587	636	683	728	812	890		
		BHP	1.61	1.83	2.04	2.25	2.47	2.68	3.13	3.60	4.08	5.12	6.20		
		SONES	25.5	27.1	28.8	30.7	33.6	36.8	44.3	49.8	53.3	61.3	69.4		
7100	1686	RPM	480	509	536	561	585	609	656	701	744	825	901		
		BHP	1.97	2.20	2.43	2.66	2.89	3.12	3.59	4.08	4.59	5.66	6.80		
		SONES	28.1	29.7	31.5	34.2	37.2	40.5	48.4	51.8	55.3	63.2	71.2		
7600	1805	RPM	509	537	563	587	610	633	677	720	761	839	913		
		BHP	2.38	2.63	2.88	3.12	3.36	3.61	4.11	4.62	5.15	6.26	7.44		
		SONES	30.9	32.6	35.3	38.1	41.3	44.8	50.5	54.0	57.6	65.2	73.1		
8100	1924	RPM	539	566	590	613	635	657	699	740	780	855	927		
		BHP	2.84	3.11	3.37	3.64	3.89	4.16	4.68	5.22	5.77	6.93	8.14		
		SONES	34.0	36.6	39.4	42.5	45.9	49.4	52.8	56.3	60.2	67.5	75.3		
8600	2043	RPM	569	594	618	640	661	682	722	761	799	872	942		
		BHP	3.36	3.65	3.93	4.21	4.48	4.76	5.32	5.88	6.46	7.66	8.92		
		SONES	38.2	41.1	43.9	47.4	50.4	52.1	55.4	59.1	62.9	70.1	77.8		
9100	2162	RPM	599	623	646	668	688	708	746	784	820	890	958		
		BHP	3.94	4.25	4.55	4.85	5.14	5.43	6.02	6.61	7.21	8.45	9.76		
		SONES	43.0	46.0	49.1	51.6	53.3	54.9	58.3	62.1	65.7	72.8	80.5		
9600	2280	RPM	629	652	675	695	715	734	771	807	842	910	975		
		BHP	4.59	4.92	5.24	5.55	5.86	6.17	6.79	7.41	8.04	9.33	10.68		
		SONES	48.4	51.6	53.2	54.7	56.4	58.1	61.6	65.2	68.6	76.0	83.5		
10100	2399	RPM	659	682	703	723	742	761	796	831	865	930	-		
		BHP	5.31	5.66	5.99	6.33	6.65	6.98	7.62	8.28	8.94	10.28	-		
		SONES	54.2	55.4	56.7	58.1	59.8	61.5	65.1	68.4	71.9	79.2	-		
10600	2518	RPM	689	711	732	751	770	788	822	855	888	951	-		
		BHP	6.10	6.46	6.82	7.17	7.52	7.86	8.54	9.22	9.91	11.30	-		
		SONES	57.7	58.9	60.3	61.6	63.5	65.3	68.6	71.9	75.5	82.6	-		
11100	2637	RPM	720	741	761	780	798	815	848	880	912	-	-		
		BHP	6.97	7.35	7.72	8.09	8.46	8.82	9.53	10.24	10.96	-	-		
		SONES	61.3	62.8	64.3	65.8	67.4	69.1	72.4	75.7	79.2	-	-		
11600	2755	RPM	750	771	790	808	826	843	875	906	-	-	-		
		BHP	7.92	8.32	8.71	9.10	9.48	9.86	10.60	11.34	-	-	-		
		SONES	65.5	67.0	68.5	69.9	71.4	73.0	76.4	79.7	-	-	-		
12100	2874	RPM	781	800	819	837	854	871	-	-	-	-	-		
		BHP	8.95	9.37	9.78	10.18	10.59	10.98	-	-	-	-	-		
		SONES	69.7	71.2	72.6	74.1	75.7	77.3	-	-	-	-	-		
12600	2993	RPM	812	830	848	866	-	-	-	-	-	-	-		
		BHP	10.07	10.50	10.93	11.35	-	-	-	-	-	-	-		
		SONES	74.0	75.5	77.1	78.6	-	-	-	-	-	-	-		

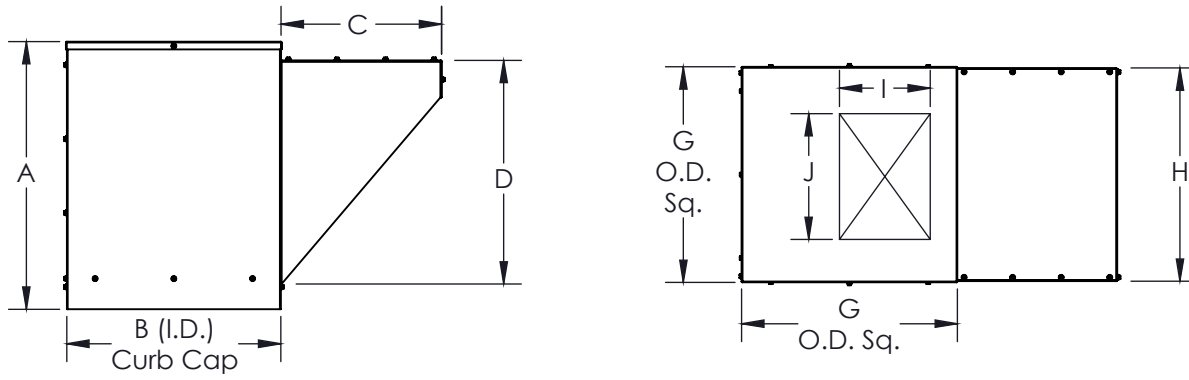


JencoFan, Div. of Soler & Palau Ventilation Group, certifies that the Models KSFV shown herein are licensed to bear the AMCA Seal. The ratings shown are based on test and procedures performed in accordance with AMCA Publication 211 and AMCA Publication 311 and comply with the requirement of the AMCA Certified Ratings Program.



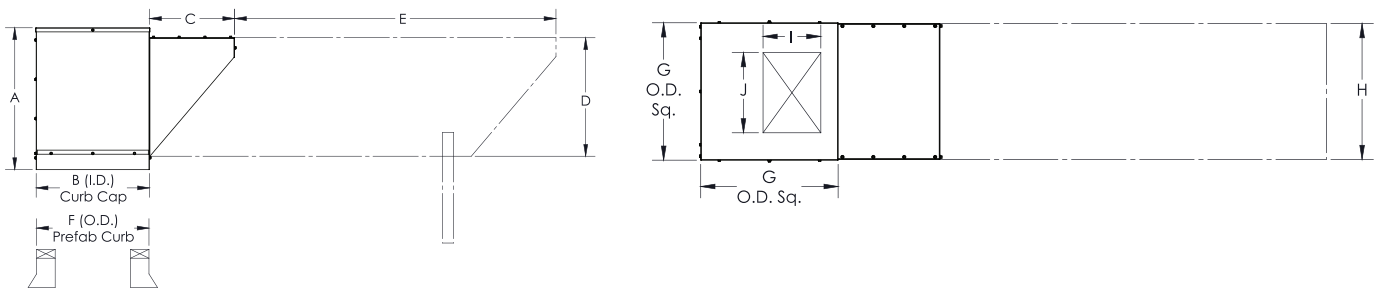
Performance certified is for installation type B: free inlet, ducted outlet. Power rating (BHP) does not include transmission losses. Performance ratings do not include the effects of appurtenances (accessories). The sound ratings shown are loudness values in fan sones at a distance of 1.5 m (5 ft) in a hemispherical free field calculated per AMCA International Standard 301. Values shown are for installation type B: ducted outlet hemispherical sone levels. Ratings do not include the effect of duct end correction.

DIMENSIONS



Model Size	A	B SQ.	C	D	G SQ.	H	Damper O.D.	I	J	Filters (QTY)
KSFV 9	30"	23-7/8"	18"	25"	24"	24"	18-1/2"	10-3/8"	12"	20 X 20 (1)
KSFV 10	35"	33-7/8"	18"	29-3/4"	34"	34"	28-1/2"	11-5/8"	13-1/4"	16 X 25 (2)
KSFV 12	35"	33-7/8"	18"	29-3/4"	34"	34"	28-1/2"	13-5/8"	15-3/4"	16 X 25 (2)
KSFV 15	35"	33-7/8"	18"	29-3/4"	34"	34"	28-1/2"	16-1/8"	18-7/8"	16 X 25 (2)
KSFV 18	43"	41-7/8"	18"	30-1/8"	42"	42"	36-1/2"	19-1/8"	22-1/8"	20 X 25 (2)
KSFV 20	49-1/8"	51-7/8"	23"	36"	51-3/8"	51-3/8"	44-1/2"	25"	25-1/8"	24 X 30 (2)

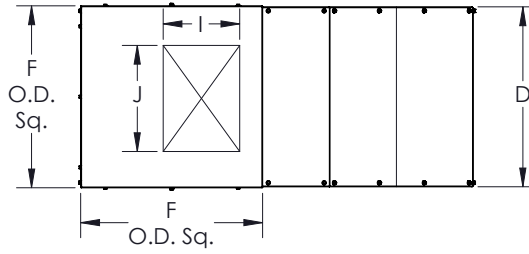
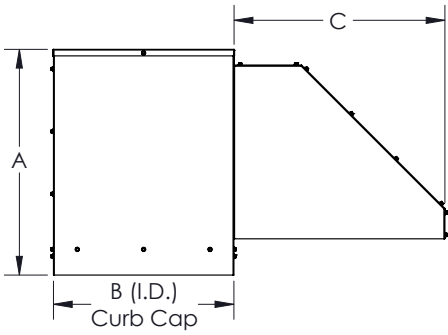
DIMENSIONS WITH OPTIONAL INTAKE EXTENSION



Model Size	A	B SQ.	C	D	E	F	G SQ.	H	DAMPER O.D.	I	J	FILTERS (QTY)
KSFV 9	30	23-7/8	18	25	74-1/4	22-1/2	24	24	18-1/2	10-3/8	12	20 X 20 (1)
KSFV 10	35	33-7/8	18	29-3/4	74-1/4	32-1/2	34	34	28-1/2	11-5/8	13-1/4	16 X 25 (2)
KSFV 12	35	33-7/8	18	29-3/4	74-1/4	32-1/2	34	34	28-1/2	13-5/8	15-3/4	16 X 25 (2)
KSFV 15	35	33-7/8	18	29-3/4	74-1/4	32-1/2	34	34	28-1/2	16-1/8	18-7/8	16 X 25 (2)
KSFV 18	43	41-7/8	18	30-1/8	78-1/4	40-1/4	42	42	36-1/2	19-1/8	22-1/8	20 X 25 (2)
KSFV 20	49-1/8	51-1/8	23	36	78-1/4	49	51-3/8	51-3/8	44-1/2	25	25-1/8	24 X 30 (2)



LOW INTAKE DIMENSIONS



Model Size	A	B SQ.	C	D	Curb O.D.	F SQ.	Damper O.D.	I	J	FILTERS (QTY)
KSFV 9	30	23-7/8	28	24	22-1/2	24	18-1/2	10-3/8	12	20 X 20 (1)
KSFV 10	35	33-7/8	32	34	32-1/2	34	28-1/2	11-5/8	13-1/4	16 X 25 (2)
KSFV 12	35	33-7/8	32	34	32-1/2	34	28-1/2	13-5/8	15-3/4	16 X 25 (2)
KSFV 15	35	33-7/8	32	34	32-1/2	34	28-1/2	16-1/8	18-7/8	16 X 25 (2)
KSFV 18	49	41-7/8	34	42	40-1/2	42	36-1/2	19-1/8	22-1/8	20 X 25 (2)
KSFV 20	49-1/8	51-1/8	40-1/8	51-3/8	49	51-3/8	44-1/2	25	25-1/8	24 X 30 (2)