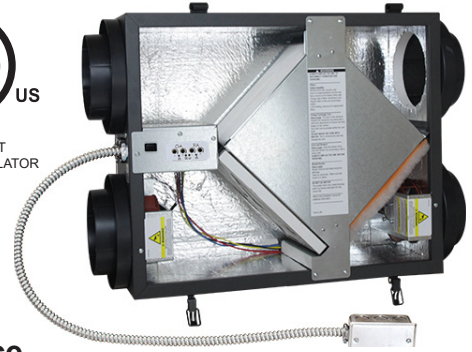




MODEL TRLPe100

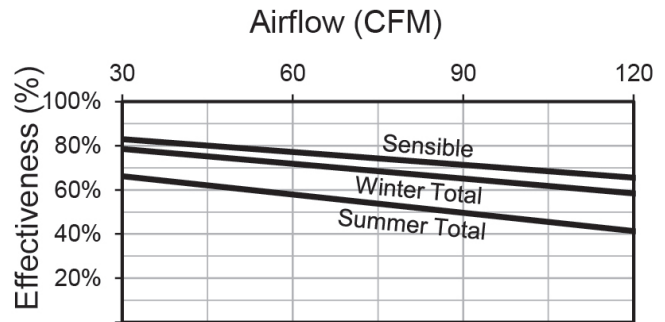
(Energy Recovery Ventilators (ERV))



Specifications

Ventilation Type: Static Plate, Heat and Humidity Transfer				
Typical Airflow Range: 30-110 CFM				
Painted Case, No Line Cord				
Unit may be mounted in any orientation and in heated or unheated locations				
Number Motors: 2, 48V EC motorized impeller packages				
V	Hz	Phase	Max Watts	FLA per motor
120	60	Single	104	2
Control Voltage: 24 VA				
Filters: MERV 8, spun polyester media. 7-1/2" x 10-1/2" x 1"				
Weight: 32 lbs (unit), 38 lbs (in carton)				
Shipping Dimensions: 29-1/2" L x 22-1/2" W x 11-1/2" H				

Core Performance



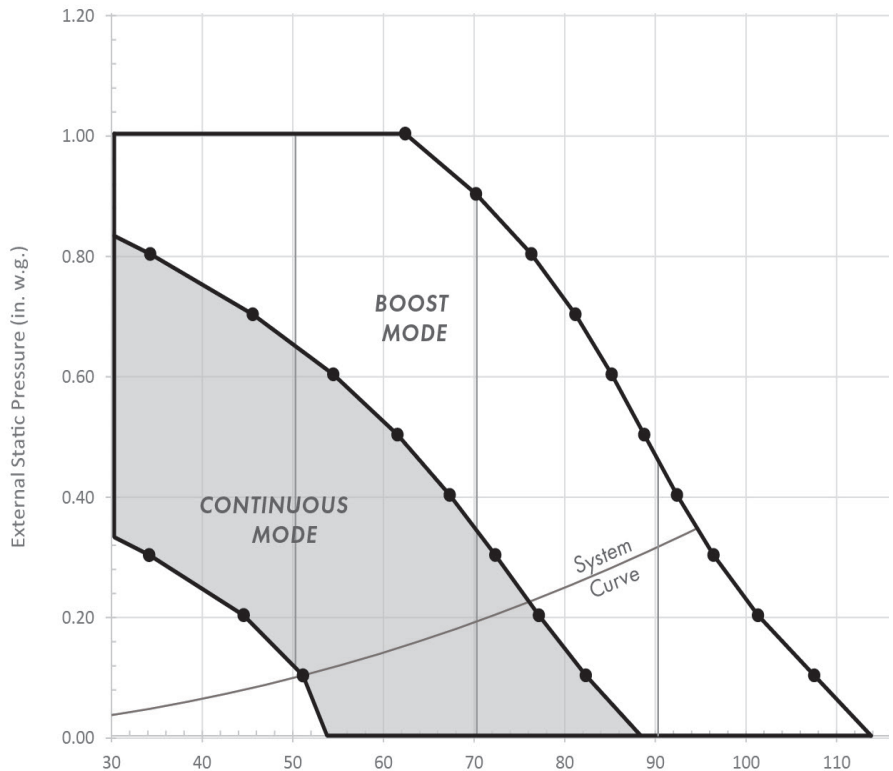
At AHRI 1060 standard conditions. See all AHRI certified ratings at www.ahrinet.org.

EC Operating Range

Sample Points Depicted in Larger Dots		
Airflow (CFM)	External Static Pressure (Inches Water Column)	Unit Power Consumption (Watts)
82	0.1	62
77	0.2	60
72	0.3	59
67	0.4	58
61	0.5	56
54	0.6	54
45	0.7	51
34	0.8	47
108	0.1	104
102	0.2	102
95	0.3	100
91	0.4	99
89	0.5	97
85	0.6	96
81	0.7	94
76	0.8	92
70	0.9	89
61	1.0	85

Note: Watts is for the entire unit.

Note: Airflow performance includes effect of clean, standard filter supplied with unit.





MODEL TRLPe100

(Energy Recovery Ventilators (ERV))

ABBREVIATIONS

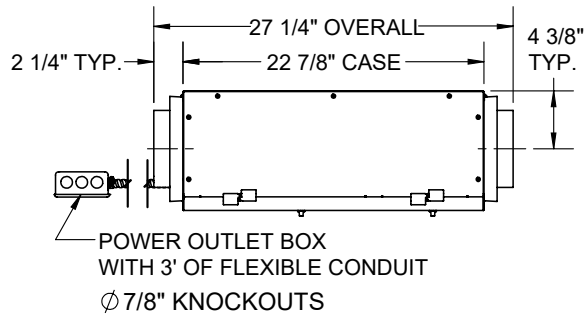
EA: EXHAUST AIR TO OUTSIDE
 OA: OUTSIDE AIR INTAKE
 RA: ROOM AIR TO BE EXHAUSTED
 SA: SUPPLY AIR TO INSIDE

INSTALLATION ORIENTATION

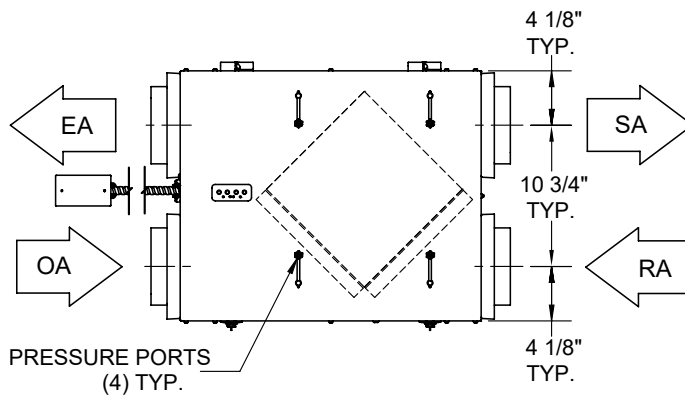
UNIT MAY BE INSTALLED IN ANY ORIENTATION.

NOTE

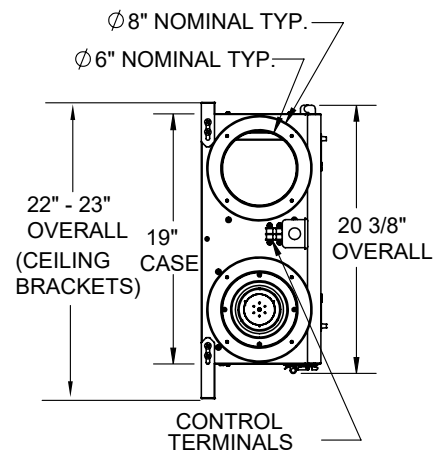
1. UNLESS OTHERWISE SPECIFIED, DIMENSIONS ARE ROUNDED TO THE NEAREST 1/8".
2. SPECIFICATIONS MAY BE SUBJECT TO CHANGE WITHOUT NOTICE.
3. MINIMUM SERVICE AREA. DOOR CAN BE REMOVED FROM HINGES.



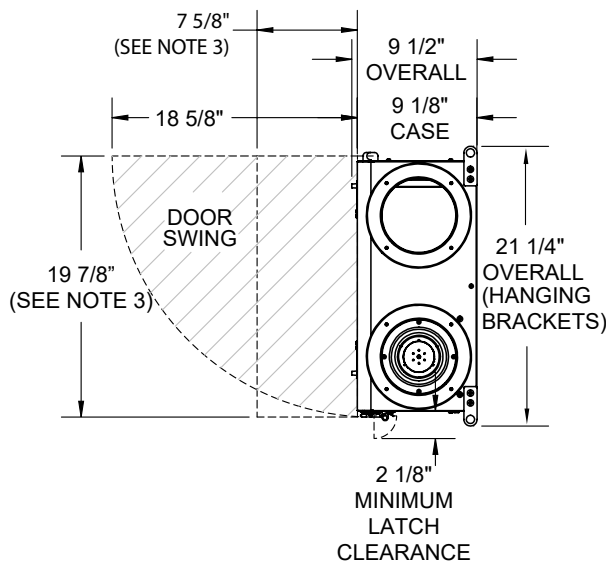
TOP VIEW



FRONT VIEW



LEFT VIEW
(HARD MOUNT DEPICTED)



RIGHT VIEW
(HANGING MOUNT DEPICTED)