



MODEL TRCe800

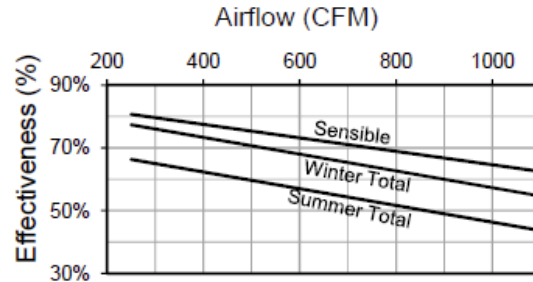
(Energy Recovery Ventilators (ERV) with EC Motor)



Specifications

Ventilation Type: Static Plate, Heat and Humidity Transfer					
Typical Airflow Range: 250-1,000 CFM					
AHRI 1060 Certified Core: One L125-G5					
Airflow Rating Points (for AHRI): 750 CFM and 563 CFM					
Motors: Two, 0.5 HP, Direct Drive EC blower/motor package					
V	Hz	Phase	FLA (per motor)	Min. Cir. Amps	Max. Overcurrent Protection Device
120	60	Single	8.1	18.2	25
208-230	60	Single	4.8	10.8	15
Standard Features: Non-fused disconnect 24 VAC transformer/relay package Cross-core differential pressure ports					
Filters: Two total, MERV 8, 2" pleated, 20" x 20" nominal size					
Weight: 207-278 lbs., varies by options, 325 lbs (shipping weight)					
Shipping Dimensions: 63" L x 30" W x 56" H					

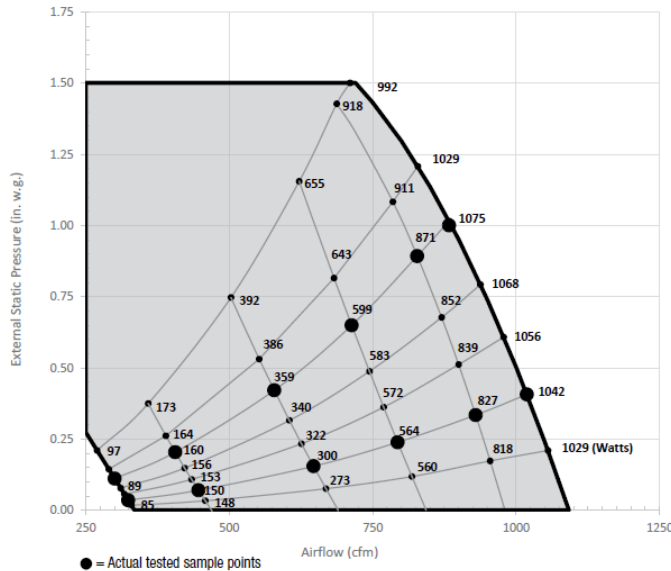
Core Performance



At AHRI 1060 standard conditions. See all AHRI certified ratings at www.ahrinet.org.

Performance

Airflow CFM	ESP in H ₂ O	Watts
324	0.04	86
446	0.07	150
647	0.15	300
794	0.24	564
929	0.33	827
1019	0.41	1042
300	0.11	91
406	0.20	160
579	0.42	359
713	0.65	599
828	0.89	871
883	1.00	1075



Note: Watts is for the entire unit.
Note: Airflow performance includes effect of clean, standard filter supplied with unit.

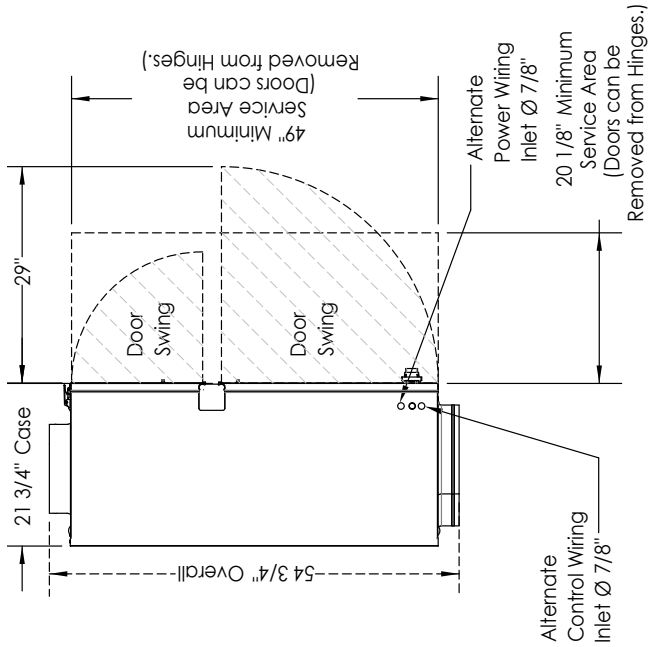
Dimensions



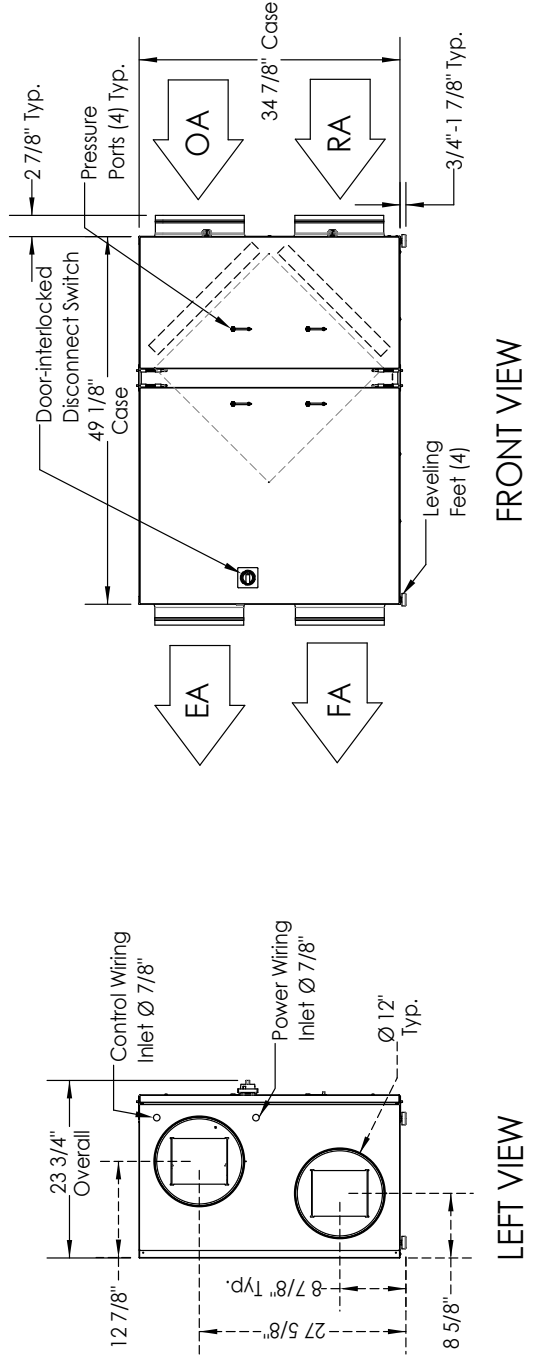
ABBREVIATIONS
 EA: Exhaust Air to Outside
 OA: Outside Air Intake
 RA: Room Air to be Exhausted
 FA: Fresh Air to Inside

INSTALLATION ORIENTATION
 Unit may be installed in any orientation.

NOTE
 1. UNLESS OTHERWISE SPECIFIED, DIMENSIONS ARE ROUNDED TO THE NEAREST EIGHTH OF AN INCH.
 2. SPECIFICATIONS MAY BE SUBJECT TO CHANGE WITHOUT NOTICE.

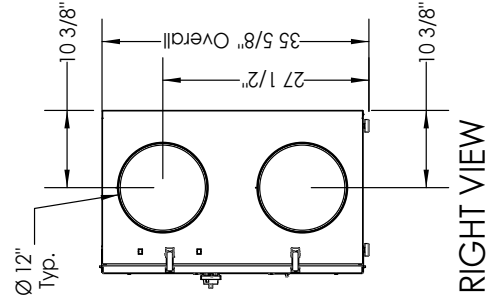


TOP VIEW



LEFT VIEW

FRONT VIEW



RIGHT VIEW