



P: 800.961.7370
www.solerpalau-usa.com

STEEL DOOR LOUVER MODEL SDL

FEATURES

Frame

- 20 gauge cold rolled steel

Blades

- Inverted V style, 24 gauge cold rolled steel, spaced approximately 5/8" centers

Construction

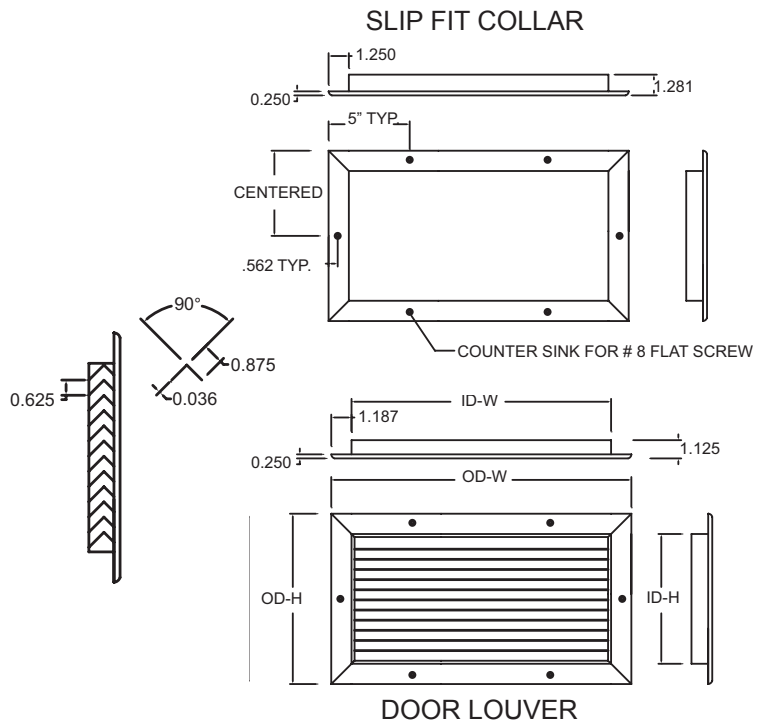
- Mitered and welded corners

Finish

- Gray primer

Fasteners

- #8 x 3/4" Phillips head screws



Dimensions in Inches

Part No.	Hole Opening		Actual OD		Est. Shipping Weight (lbs)
	W	H	W	H	
SDL10X4	10.5	4.5	12.25	6.125	3
SDL12X12	12.5	12.5	14.25	14.125	6
SDL16X8	16.5	8.5	18.25	10.125	5
SDL16X16	16.5	16.5	18.25	18.125	7.5
SDL20X10	20.5	10.5	22.25	12.125	6.5
SDL20X20	20.5	20.5	22.25	22.125	10.5
SDL24X12	24.5	12.5	26.25	14.125	8
SDL24X24	24.5	24.5	26.25	26.125	13.5