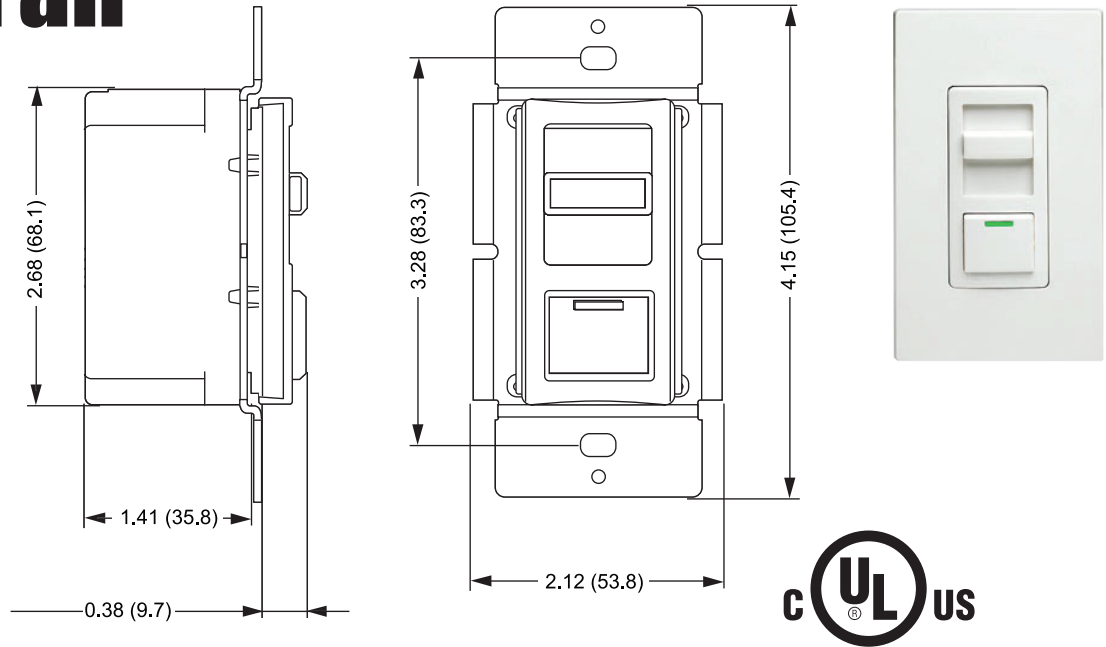


JencoFan

SCS5 - Speed Control Slide



Features:

- Operating Temp: 32°F / 0°C - 131°F / 55°C
- Non-Operating Temp: 50°F / 10°C - 185°F / 85°C
- Switch Type: Single-Pole (or 3 Way)
- Type: Electro-Mechanical
- Load Type: Fan
- Load Rating: 5 Amp
- Voltage: 120 Volt AC 60Hz
- Action: Standard ON/OFF
- Protection: Radio/TV Filter
- Color: White, Ivory, & Light Almond
- Fit easily into a standard wallbox and are suitable for multi-gang installations
- RFI noise suppression
- Standards and Certifications: UL/CSA

ACCESSORY MODEL	1	2	3	4	5	REMARKS

Project: _____	Submitted: _____
Customer: _____	Approved: _____
Location: _____	

For more information contact us at www.jencofan.com or 1.800.961.7370 for additional submittal drawings.

JencoFan will not be responsible for fabrication changes or errors resulting from customer use of a non-current submittal drawing.