

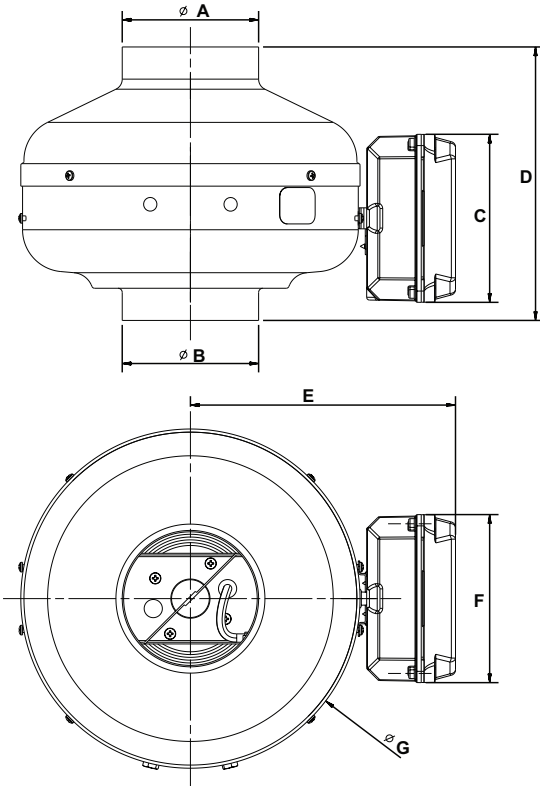
# JencoFan

6393 Powers Avenue  
 Jacksonville, Florida 32217  
 P: 800.961.7370 F: 800.961.7379  
 www.solerpalau-usa.com

# MODEL PV-POWERVENT

For High Static Pressure Applications

## Dimensions in inches/mm



Model	A	B	C	D	E	F	G	Weight lbs(kgs)
PV-100	3 <sup>13</sup> / <sub>16</sub> 97.5	3 <sup>13</sup> / <sub>16</sub> 97.5	4 <sup>3</sup> / <sub>4</sub> 120	7 <sup>11</sup> / <sub>16</sub> 196	7 <sup>1</sup> / <sub>2</sub> 190	4 <sup>3</sup> / <sub>4</sub> 120	9 <sup>9</sup> / <sub>16</sub> 243	7 3.0
PV-100x	3 <sup>13</sup> / <sub>16</sub> 97.5	3 <sup>13</sup> / <sub>16</sub> 97.5	4 <sup>3</sup> / <sub>4</sub> 120	7 <sup>11</sup> / <sub>16</sub> 196	7 <sup>1</sup> / <sub>2</sub> 190	4 <sup>3</sup> / <sub>4</sub> 120	9 <sup>9</sup> / <sub>16</sub> 243	7 3.0
PV-125	4 <sup>13</sup> / <sub>16</sub> 122.5	4 <sup>13</sup> / <sub>16</sub> 122.5	4 <sup>3</sup> / <sub>4</sub> 120	7 <sup>13</sup> / <sub>16</sub> 198	7 <sup>1</sup> / <sub>2</sub> 190	4 <sup>3</sup> / <sub>4</sub> 120	9 <sup>9</sup> / <sub>16</sub> 243	7 3.0
PV-125x	4 <sup>13</sup> / <sub>16</sub> 122.5	4 <sup>13</sup> / <sub>16</sub> 122.5	4 <sup>3</sup> / <sub>4</sub> 120	7 <sup>13</sup> / <sub>16</sub> 198	7 <sup>1</sup> / <sub>2</sub> 190	4 <sup>3</sup> / <sub>4</sub> 120	9 <sup>9</sup> / <sub>16</sub> 243	7 3.0
PV-150x	5 <sup>13</sup> / <sub>16</sub> 147	5 <sup>13</sup> / <sub>16</sub> 147	4 <sup>3</sup> / <sub>4</sub> 120	8 <sup>7</sup> / <sub>16</sub> 214	9 <sup>5</sup> / <sub>16</sub> 236	4 <sup>3</sup> / <sub>4</sub> 120	13 <sup>1</sup> / <sub>8</sub> 334	11 5.0
PV-200	7 <sup>13</sup> / <sub>16</sub> 198	7 <sup>13</sup> / <sub>16</sub> 198	4 <sup>3</sup> / <sub>4</sub> 120	8 <sup>3</sup> / <sub>4</sub> 223	9 <sup>5</sup> / <sub>16</sub> 236	4 <sup>3</sup> / <sub>4</sub> 120	13 <sup>1</sup> / <sub>8</sub> 334	11 5.0
PV-200x	7 <sup>13</sup> / <sub>16</sub> 198	7 <sup>13</sup> / <sub>16</sub> 198	4 <sup>3</sup> / <sub>4</sub> 120	8 <sup>3</sup> / <sub>4</sub> 223	9 <sup>5</sup> / <sub>16</sub> 236	4 <sup>3</sup> / <sub>4</sub> 120	13 <sup>1</sup> / <sub>8</sub> 334	11 5.0
PV-250	9 <sup>3</sup> / <sub>4</sub> 248	9 <sup>3</sup> / <sub>4</sub> 248	4 <sup>3</sup> / <sub>4</sub> 120	8 <sup>1</sup> / <sub>16</sub> 205	9 <sup>5</sup> / <sub>16</sub> 236	4 <sup>3</sup> / <sub>4</sub> 120	13 <sup>1</sup> / <sub>8</sub> 334	13 6.0
PV-250x	9 <sup>3</sup> / <sub>4</sub> 248	9 <sup>3</sup> / <sub>4</sub> 248	4 <sup>3</sup> / <sub>4</sub> 120	8 <sup>1</sup> / <sub>16</sub> 205	9 <sup>5</sup> / <sub>16</sub> 236	4 <sup>3</sup> / <sub>4</sub> 120	13 <sup>1</sup> / <sub>8</sub> 334	13 6.0
PV-315	12 <sup>5</sup> / <sub>16</sub> 312	12 <sup>5</sup> / <sub>16</sub> 312	4 <sup>3</sup> / <sub>4</sub> 120	9 <sup>3</sup> / <sub>16</sub> 233	10 <sup>9</sup> / <sub>16</sub> 269	4 <sup>3</sup> / <sub>4</sub> 120	15 <sup>13</sup> / <sub>16</sub> 401	21 10.0
PV-315x	12 <sup>5</sup> / <sub>16</sub> 312	12 <sup>5</sup> / <sub>16</sub> 312	4 <sup>3</sup> / <sub>4</sub> 120	9 <sup>3</sup> / <sub>16</sub> 233	10 <sup>9</sup> / <sub>16</sub> 269	4 <sup>3</sup> / <sub>4</sub> 120	15 <sup>13</sup> / <sub>16</sub> 401	21 10.0



FAN DATA					
Fan No.	Qty.	Model No.	CFM	SP	RPM

MOTOR DATA					
AMPS	RPM	VOLTS	PH	HZ	ENCLOSURE

ACCESSORIES	1	2	3	4	5	REMARKS

PROJECT: \_\_\_\_\_ CONTRACTOR: \_\_\_\_\_  
 LOCATION: \_\_\_\_\_ REVISION DATE: \_\_\_\_\_  
 FORM NO.: \_\_\_\_\_ SUBMITTED BY: \_\_\_\_\_ DATE: \_\_\_\_\_  
 ENGINEER: \_\_\_\_\_ APPROVED BY: \_\_\_\_\_ DATE: \_\_\_\_\_