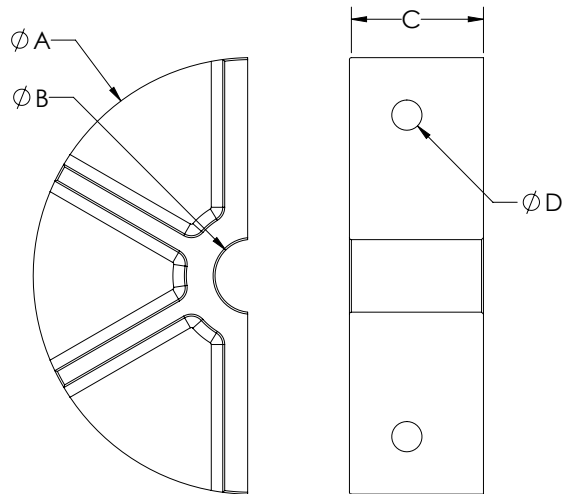
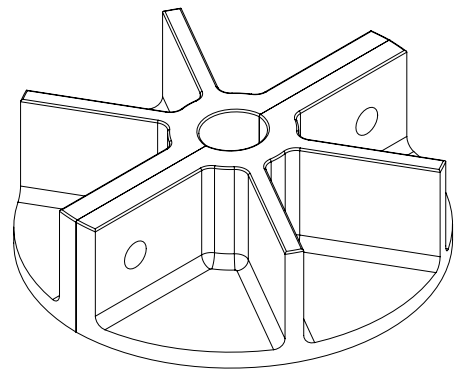


Features

- 2-Part cast aluminum cooling disk mounted on the fan shaft between the inboard bearing and fan housing.
- The disc dissipates heat conducted along the fan shaft and promotes air circulation in the motor compartment.
- Extends motor and bearing life.
- Comes standard when ordering cULus793 listing.



| CM MODEL | A (IN) | B (IN) | C (IN) | D (IN) |
|----------|---------|--------|--------|--------|
| 10 | 4-1/2 | 3/4 | 1-3/8 | 5/16 |
| 12-16 | 4-1/2 | 1 | 1-3/8 | 5/16 |
| 18-24 | 8-11/16 | 1-1/2 | 1-3/8 | 7/16 |
| 27-30 | 10-1/4 | 1-3/4 | 1-7/16 | 7/16 |
| 36 | 10-1/4 | 2-3/16 | 1-7/16 | 7/16 |

NOTE: DIMENSIONS ROUNDED TO NEAREST 1/16"

| ACCESSORY MODEL | 1 | 2 | 3 | 4 | 5 | REMARKS |
|-----------------|---|---|---|---|---|---------|
| | | | | | | |
| | | | | | | |
| | | | | | | |
| | | | | | | |

| | |
|-----------------|------------------|
| Project: _____ | Submitted: _____ |
| Customer: _____ | Approved: _____ |
| Location: _____ | |

JencoFan will not be responsible for fabrication changes or errors resulting from customer use of a non-current submittal drawing.