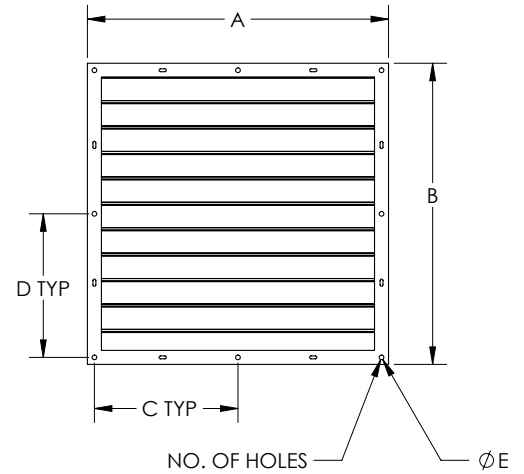


### Features

- Heavy-duty interconnecting blade design opens by velocity.
- Helps prevent the entry of unwanted objects and backdrafts.
- Outlet flange is required (included with damper).
- Maximum temperature is 200 degrees F.
- Maximum face velocity is 3500 FPM.
- Not for UL762 use.
- Damper cannot be used with TAD, DB, & BAD positions.



CM MODEL	A (IN)	B (IN)	C (IN)	D (IN)	E (IN)	NO. OF HOLES
10	9-9/16	15-3/16	4-1/16	6-7/8	3/8	8
12	11-5/16	18-7/16	4-15/16	5-11/16	3/8	10
14	12-1/4	20-5/16	5-7/16	6-5/16	3/8	10
16	13-5/16	22-7/16	5-15/16	7	3/8	10
18	14-5/8	24-7/8	6-5/8	7-7/8	3/8	10
20	16-1/16	27-5/8	7-3/8	8-3/4	3/8	10
22	17-9/16	30-5/8	5-3/8	7-5/16	3/8	14
24	19-9/16	34	6-1/16	8-3/16	3/8	14
27	21-3/8	37-7/8	6-5/8	9-1/8	3/8	14
30	23-1/2	42-1/8	5-1/2	8-3/16	3/8	18
36	25-15/16	47	6-1/8	9-1/8	3/8	18

NOTE: DIMENSIONS ROUNDED TO NEAREST 1/16"

ACCESSORY MODEL	1	2	3	4	5	REMARKS

Project: _____	Submitted: _____
Customer: _____	Approved: _____
Location: _____	

JencoFan will not be responsible for fabrication changes or errors resulting from customer use of a non-current submittal drawing.