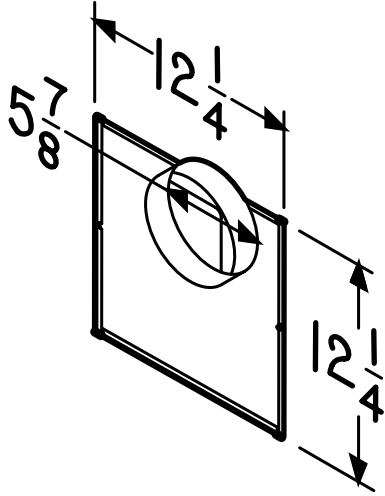
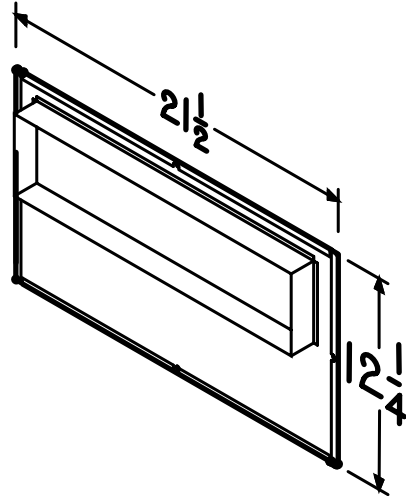


IN-LINE ADAPTOR KITS FOR FF UNITS



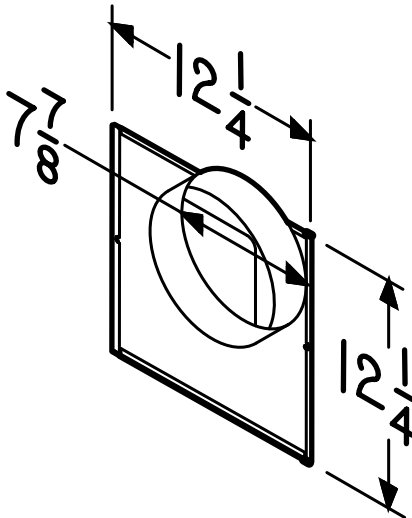
961L IN-LINE ADAPTOR KIT

- Galvanized Steel
- Fits FF100 & FF150
- For 6" Round Duct Intake



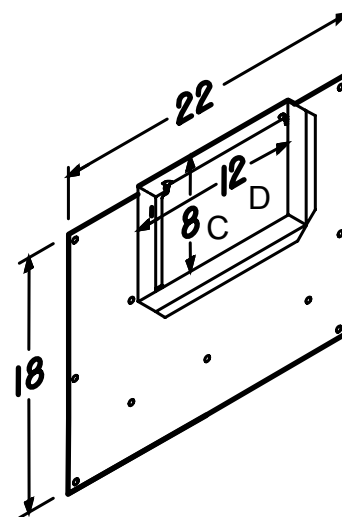
982L IN-LINE ADAPTOR KIT

- Galvanized Steel
- Fits FF400, FF500 & FF700
- 4 1/2" x 18 1/2" Duct Intake



981L IN-LINE ADAPTOR KIT

- Galvanized Steel
- Fits FF200, FF250 & FF300
- For 8" Round Duct Intake



983L IN-LINE ADAPTOR KIT

- Galvanized Steel
- Fits FF900 & FF1500
- 8" x 12" Duct Intake

Project: _____	Submitted: _____
Customer: _____	Approved: _____
Location: _____	