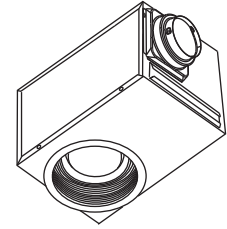




# RECESSED FAN LIGHT



**Model: PCRL80**

## WARNING

### TO REDUCE THE RISK OF FIRE, ELECTRIC SHOCK, OR INJURY TO PERSONS, OBSERVE THE FOLLOWING:

- Use this unit only in the manner intended by the manufacturer. If you have questions, contact the manufacturer.
- Before servicing or cleaning unit, switch power off at service panel and lock the service disconnecting means to prevent power from being switching on accidentally. When the service disconnecting means cannot be locked, securely fasten a prominent warning device, such as a tag, to the service panel.
- Installation work and electrical wiring must be done by a qualified person(s) in accordance with all applicable codes and standards, including fire-rated construction codes and standards.
- Sufficient air is needed for proper combustion and exhausting of gases through the flue (chimney) of fuel burning equipment to prevent backdrafting. Follow the heating equipment manufacturer's guideline and safety standards such as those published by the National Fire Protection Association (NFPA), and the American Society for Heating, Refrigeration and Air Conditioning Engineers (ASHRAE), and the local code authorities.
- When cutting or drilling into wall or ceiling, do not damage electrical wiring and other hidden utilities.
- Ducted fans must always be vented to the outdoors.
- Acceptable for use over a tub or shower when connected to a GFCI (Ground Fault Circuit Interrupter) - protected branch circuit (ceiling installation only).
- This unit must be grounded.
- Not for Use in Kitchens.
- Install Fan At Least 2.5 m (8.2 feet) Above The Floor.
- To reduce risk of fire and to properly exhaust air, be sure to duct air outside – Do not vent exhaust air into spaces within walls or ceilings or into attics, crawl spaces, or garages
- WARNING: To Reduce The Risk Of Fire Or Electric Shock, Do Not Use This Fan With Any Solid-State Speed Control Device.**
- The fan must not be installed in a ceiling thermally insulated to a value greater R40.

## CAUTION

- For general ventilating use only. Do not use to exhaust hazardous or explosive materials and vapors.
- This product is designed for installation in ceilings up to a 12/12 pitch (45 degree angle). Duct connector must be horizontal.  
\* DO NOT MOUNT THIS PRODUCT IN A WALL.
- To avoid motor bearing damage and noisy and/or unbalanced impellers, keep drywall spray, construction dust, etc. off power unit.
- Please read specification label on product for further information and requirements.

## CLEANING & MAINTENANCE

For quiet and efficient operation, long life, and attractive appearance - lower or remove grille and vacuum interior of unit with the dusting brush attachment.

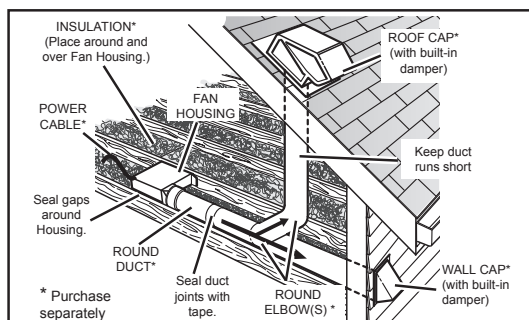
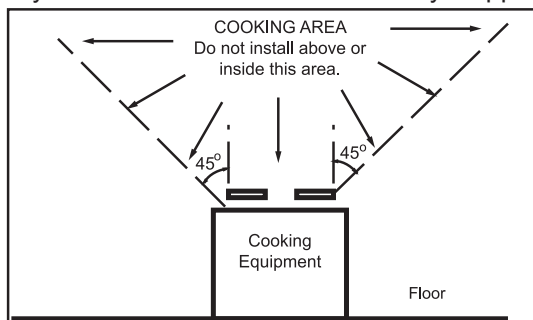
The motor is permanently lubricated and never needs oiling. If the motor bearings are making excessive or unusual noises, replace the motor with the exact service motor. The impeller should also be replaced.

## OPERATION

Use a 2-function wall control to operate this fan. See "Connect Wiring" for details.

## PLAN THE INSTALLATION

- Do not use in a cooking area.
- Two ways to connect ductwork to a factory-shipped unit.






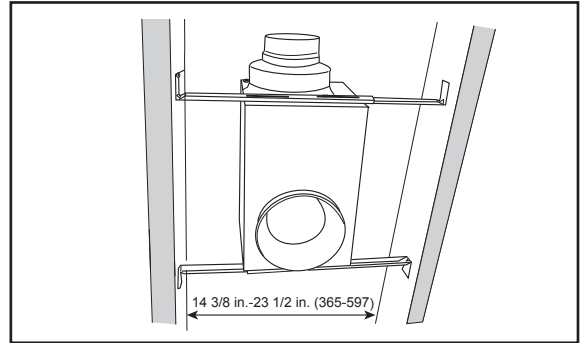
**READ AND SAVE THESE INSTRUCTIONS**

Installer: Leave this manual with the homeowner.

# ASSEMBLY INSTRUCTIONS

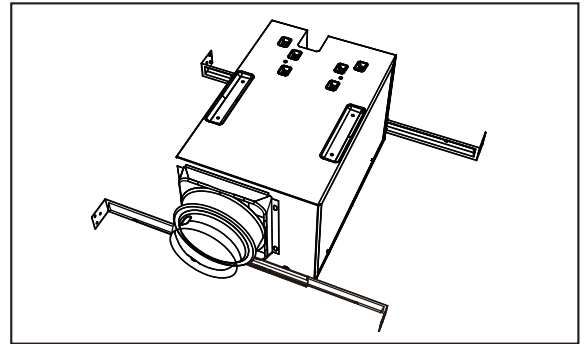
1. Before installation, you need to know:

|                   |   |            |
|-------------------|---|------------|
| Screw A           |  | ST4.2*1/2" |
| Screw B           |  | ST4.2*1"   |
| Hanger bar (long) |  | 13 3/8"    |



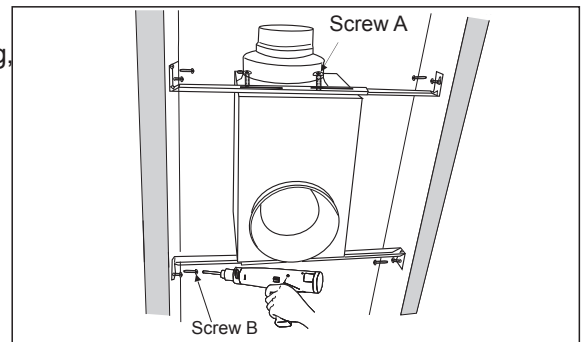
## 1. MOUNT WITH HANGER BARS

1a. Sliding hanger bars have been provided, which allow the housing to be positioned accurately anywhere between the framing. The bars can be used on all types of framing: I-joist, standard joist, and truss construction. Slide hanger bars onto housing and adjust as needed to fit between framing.



1b. Extend the hanger bars to the width of the framing. Position the fan with the hanger bar tabs aligned with the bottom edge of the framing, holding the ventilator in place.

Secure hanger bars to framing using one screw on each end of hanger bar. Attach set screws to lock bar hangers in place.

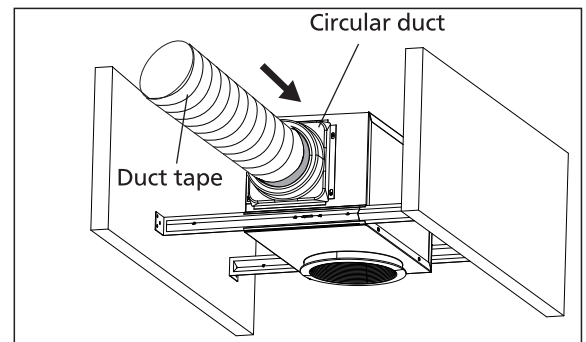


## 2. INSTALL ROUND DUCTWORK

Connect the round ductwork (not included) to the damper/duct connector, and run the ductwork to a roof or wall cap (not included). Using tape (not included), secure all the ductwork connections so that they are air tight.

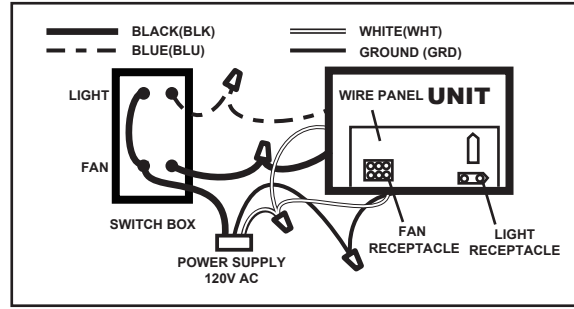
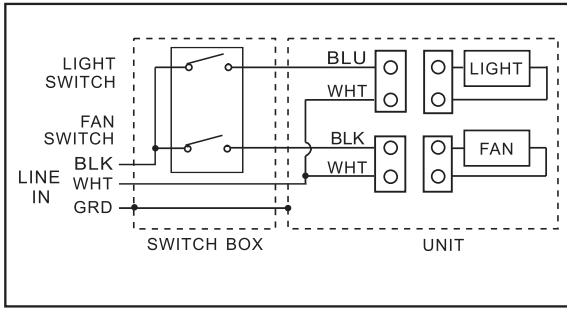
Insulated flexible duct is recommended for the quietest possible installation. If rigid duct is used, a short (1-3 feet) section of insulated flexible duct will ensure quiet operation.

The ducting from this fan to the outside of building has a strong effect on the air flow, noise and energy use of the fan. Use the shortest, straightest duct routing possible for best performance, and avoid installing the fan with smaller ducts than recommended. Insulation around the ducts can reduce energy loss and inhibit mold growth. Fans installed with existing ducts may not achieve their rated air flow.



## CONNECT ELECTRICAL WIRING

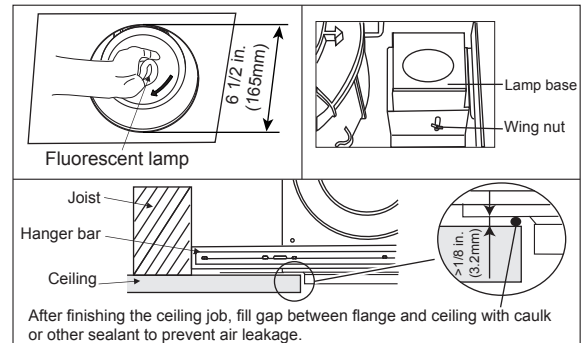
Run 120 Volts AC house wiring to the fan. Use only UL-approved connectors (not included) to attach the house wiring to the wiring plate. Refer to the wiring diagram, and connect the wires as shown.



## FINISH CEILING WORK

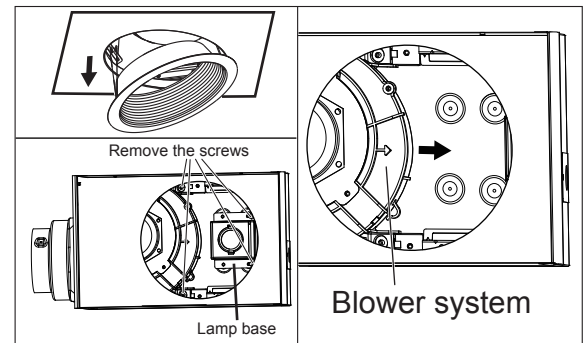
1. A round ceiling hole 6 1/2 inches (165mm) diameter should be cut. Seal any gap between the hole in the drywall and the fan with sealant.
2. Install the lamp.

Note: The lamp base can adjust up or down to regress the lamp into the housing.



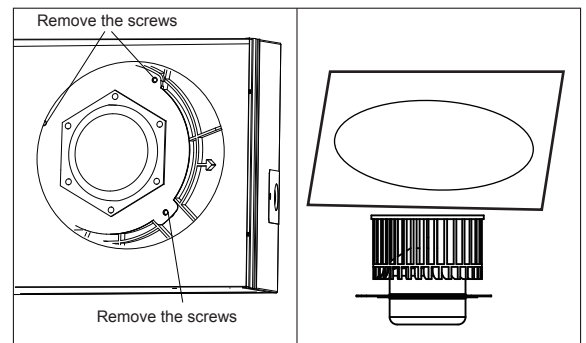
## REPLACEMENT INSTALLATION

1. Remove the trim ring or Light assembly by detaching the springs.
2. Remove the screws as shown in the right.
3. Remove the lamp base.
4. Pull the duct system, so that you can see the blower system.



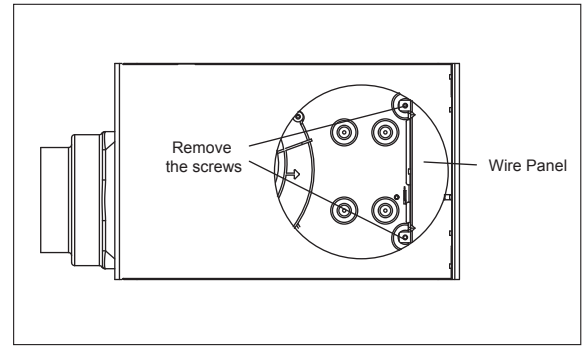
## REPLACEMENT INSTALLATION

5. Remove the screws as shown in the right.
6. Take the blower system out of the housing.
7. Replace the broken parts.



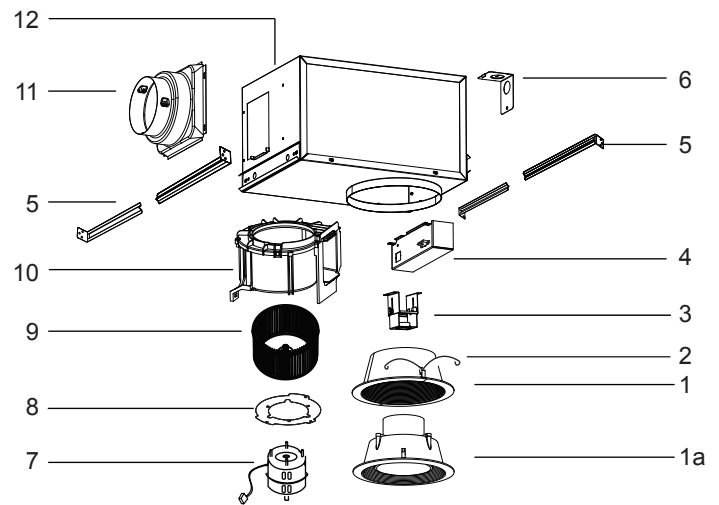
## REPLACEMENT INSTALLATION

8. Replace the capacitance need to remove the wire panel, and then replace the capacitance.



## SERVICE PARTS

| PART | PART NAME                          | Qty. |
|------|------------------------------------|------|
| 1    | Trim Ring (For model PCRL80)       |      |
| 1a   | Light assemble (For model PCRL80F) | 1    |
| 2    | Grille Spring                      | 2    |
| 3    | Lamp base                          | 1    |
| 4    | Wire Panel / Harness Assembly      | 1    |
| 5    | Hanger Bars                        | 4    |
| 6    | Wiring plate                       | 1    |
| 7    | Motor                              | 1    |
| 8    | Motor plate                        | 1    |
| 9    | Blower Wheel                       | 1    |
| 10   | Blower housing                     | 1    |
| 11   | Duct                               | 1    |
| 12   | Housing                            | 1    |



## WARRANTY

S&P USA Ventilation Systems, LLC. & S&P Canada Ventilation Products, Inc. warrants to the original end user of its products that our exhaust fans will be free from defects in materials and workmanship for a period of Five (5) years from the date of original purchase. 6 years warranty for motor and 5 years warranty for the remaining fan parts. THERE ARE NO OTHER WARRANTIES, EXPRESSED OR IMPLIED, INCLUDING BUT NOT LIMITED TO IMPLIED WARRANTIES OF SUITABILITY FOR A PARTICULAR PURPOSE.

During this five year period, S&P will, at its option, repair returned products or parts, or provide replacement products or parts, without charge, for any product or part which is found to be defective under normal use.

This warranty does not cover normal maintenance and service or any parts that have been subject to misuse, negligence, accident, improper maintenance or repair, faulty installation or installation contrary to recommended installation instructions. S&P's obligation to repair or replace, at S&P's option, shall be the purchaser's sole and exclusive remedy under this warranty. No labor or materials are covered by this warranty. S&P shall not be liable for incidental damages arising out of or in connection with product use or performance.

This warranty gives you specific legal rights. You may also have other rights which vary from state to state.

To qualify for warranty service, you must notify S&P at the address or telephone number stated below, provide the model number and part identification, and describe the nature of any defect in product or part. You may be required to ship a defective part to S&P. There will be no charge for shipping repaired or replacement parts from S&P to you if your address is in the United States or Canada. At the time of requesting warranty service, you must present evidence of the original purchase date.

### S&P USA Ventilation Systems, LLC.

6393 Powers Avenue Jacksonville, FL 32217

P. 904-731-4711

F. 904-731-8322

www.spvg-northamerica.com

### S&P Canada Ventilation Products, Inc.

5600 Ambler Drive Mississauga, ON L4W 2K9

P. 866-733-0233

F. 866-358-5346

www.solerpalaucaCanada.com