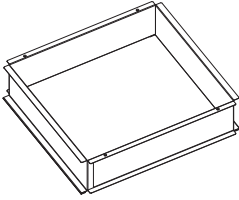


# PCRD - Radiation Damper

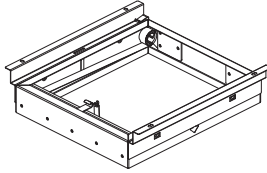
Compatible With: PC80X, PC110X, PC110X-2S, PC150,  
PCD110X, PCD110XH, PCD110XIAQS fans and PCG-1, PCMG  
Grilles

## COMPONENTS

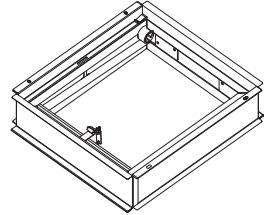
---



Damper Adapter



Radiation Damper



Damper Assembly

Note: Please wear gloves during installation.

## ASSEMBLY INSTRUCTIONS

---

Slide the adapter's hemmed edges onto the fan housing flanges (Fig.1 & Fig. 2).

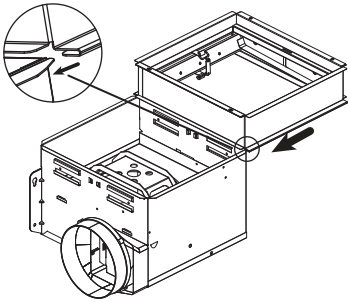


Fig. 1

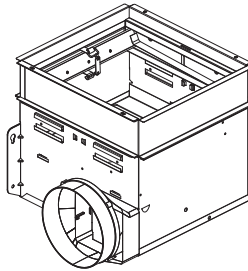


Fig. 2

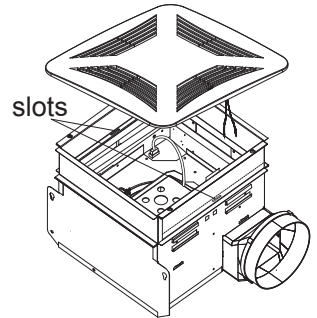


Fig. 3

Pinch the grille springs on the sides of the grille assembly and position the grille into the housing with the grille springs in the appropriate slots of the Damper Assembly. Push the grille assembly towards the ceiling to secure (Fig. 3) .