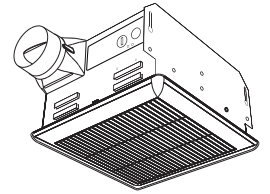




# VENTILATION FAN



**MODEL: PCD80XH**

## WARNING

**TO REDUCE THE RISK OF FIRE, ELECTRIC SHOCK, OR INJURY TO PERSONS, OBSERVE THE FOLLOWING:**

1. Use this unit only in the manner intended by the manufacturer. If you have questions, contact the manufacturer at the address or telephone number listed in the warranty.
2. Before servicing or cleaning unit, switch power off at service panel and lock the service disconnecting means to prevent power from being switched on accidentally. When the service disconnecting means cannot be locked, securely fasten a prominent warning device, such as a tag, to the service panel.
3. Installation work and electrical wiring must be done by a qualified person(s) in accordance with all applicable codes and standards, including fire-rated construction codes and standards.
4. Sufficient air is needed for proper combustion and exhausting of gases through the flue (chimney) of fuel burning equipment to prevent backdrafting. Follow the heating equipment manufacturer's guideline and safety standards such as those published by the National Fire Protection Association (NFPA), and the American Society for Heating, Refrigeration and Air Conditioning Engineers (ASHRAE), and the local code authorities.
5. When cutting or drilling into wall or ceiling, do not damage electrical wiring and other hidden utilities.
6. Ducted fans must always be vented to the outdoors.
7. Acceptable for use over a tub or shower when connected to a GFCI (Ground Fault Circuit Interrupter) - protected branch circuit (ceiling installation only).
8. This unit must be grounded.

## CAUTION

1. For general ventilating use only. Do not use to exhaust hazardous or explosive materials and vapors.
2. This product is designed for installation in ceilings up to a 12/12 pitch (45 degree angle). Duct connector must point up.
3. To avoid motor bearing damage and noisy and/or unbalanced impellers, keep drywall spray, construction dust, etc. off power unit.
4. Please read specification label on product for further information and requirements.  
\*The manual in electronic format can be download in our company web, or obtained from our dealer.

## CLEANING & MAINTENANCE

For quiet and efficient operation, long life, and attractive appearance - lower or remove grille and vacuum interior of unit with the dusting brush attachment.

The motor is permanently lubricated and never needs oiling. If the motor bearings are making excessive or unusual noises, replace the motor with the exact service motor. The impeller should also be replaced.

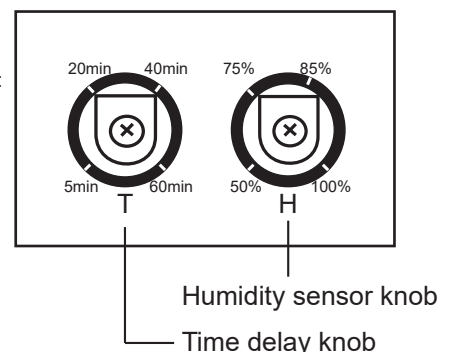
## OPERATION

See "Connect Wiring Diagram" for details.

1) Turn on switch I, fan run continuously at the default low speed (40 CFM) and automatically boost up to high speed (80 CFM) when either of these conditions is detected:

- a) Humidity above a user-adjustable setpoint (50%-100% relative humidity).
- b) rapid to moderate (user-adjustable) increases in humidity. After delay timer (adjustable from 5 to 60 mins) returns fan to the default low speed. Humidity sensor description according to "HUMIDITY SENSOR OPERATION" and "SENSITIVITY ADJUSTMENT".

2) When switch II is turned on, the fan changes to high speed. When switch II is turned off, the fan changes to the low speed immediately.



### HUMIDITY SENSOR OPERATION

The humidity-sensing fan uses a sophisticated humidity sensor that responds to: (a) rapid to moderate (user-adjustable) increases in humidity or (b) humidity above a user-adjustable set-point (50%-100% relative humidity). Fan run continuously at a pre-set lower level (set by Humidity sensor knob) and automatically boost up to certified airflow rate when environmental conditions change. If the fan continuously responds to changing environmental conditions, "H" (means "humidity") adjustment may be required. This figure is factory-set for about 75% (Ambient temperature of 25 C).

## READ AND SAVE THESE INSTRUCTIONS

Installer: Leave this manual with the homeowner.

# OPERATION

## SENSITIVITY ADJUSTMENT

The "H" has been factory set for most shower applications. However, if the fan is in a tub area or is being used for dampness control, the "H" may need to be increased toward maximum "+". If the control is responding too often to changing environmental conditions, movement toward less "-" "H" may be required.

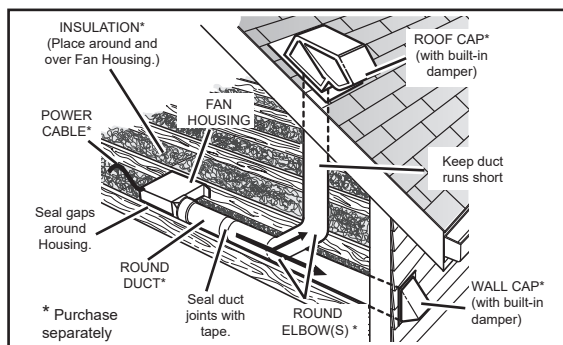
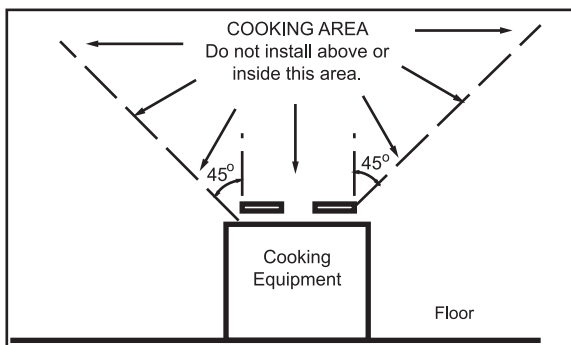
To adjust the "H":

1. Disconnect power at service entrance.
2. Through the grille, locate the slot marked "H".
3. Carefully rotate the "H" adjustment toward "+" or "-".
4. Turn on power and check operation by turning on the shower or other humidity source until the fan turns on.
5. Repeat above steps if necessary.

When the temperature changes, humidity sensor values will have deviation.

## PLAN THE INSTALLATION

1. Do not use in a cooking area.
2. Two ways to connect ductwork to a factory-shipped unit.



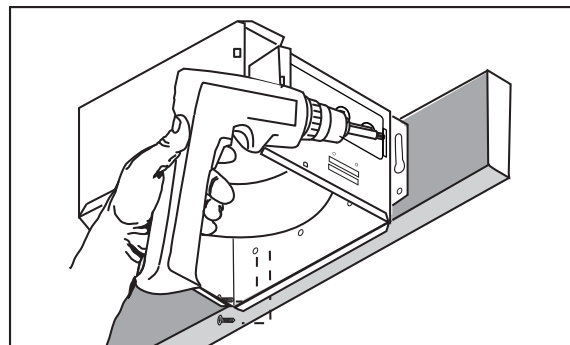
## TYPES OF TYPICAL INSTALLATIONS

1. Housing mounted to I-joists (Start at "ASSEMBLY INSTRUCTIONS 1")
2. Housing mounted to joists (Start at "ASSEMBLY INSTRUCTIONS 1" )
3. Housing mounted to truss (Start at step "ASSEMBLY INSTRUCTIONS 2")

## ASSEMBLY INSTRUCTIONS

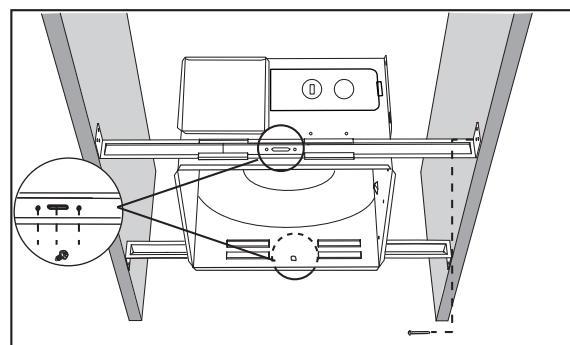
### 1. MOUNT HOUSING TO JOIST OR I-JOIST.

Hold the housing so that it is in contact with the bottom of the joist. Place the fan housing next to the ceiling joist. Using wood screws, attach the housing loosely to the ceiling joist through the keyholes in the mounting tabs. Adjust the housing to be flush with the finished ceiling. For the grille to fit properly, the housing's rim must not extend beyond the finished ceiling surface. When the housing is correctly adjusted, tighten the screws in the slots.



### 2. MOUNT WITH HANGER BARS

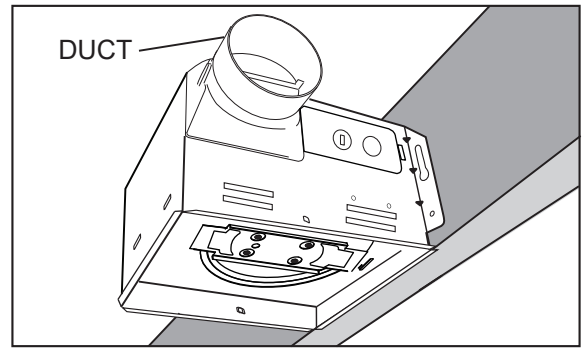
Insert the hanger bars into the slots in the housing. Place the fan housing between the joists, make sure the bottom of the housing is even with the finished ceiling. Extend the hanger bars to the joist. Use screws to secure the hanger bars to the ceiling joists. Select a proper hole and secure the hanger bars together using flange screws.



## ASSEMBLY INSTRUCTIONS

### 3. ATTACH DAMPER/DUCT CONNECTOR

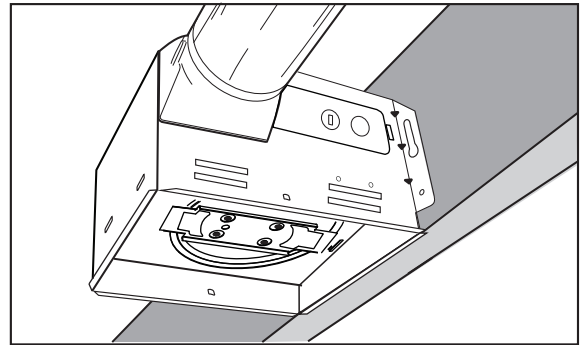
Snap the damper/duct connector onto the fan housing. The connector must be flush with the top of the housing, and the damper flap should fall closed.



### 4. INSTALL ROUND DUCTWORK

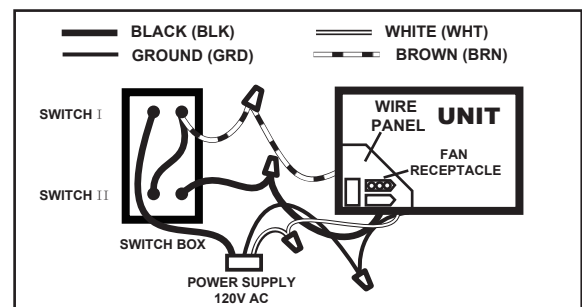
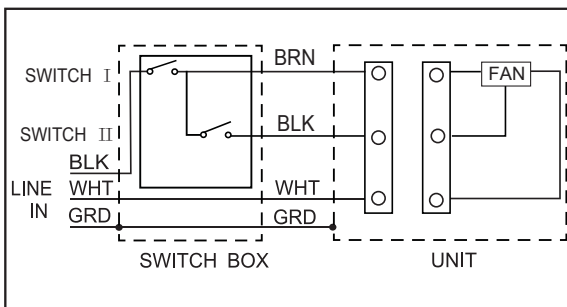
Connect the round ductwork (not included) to the damper/duct connector, and run the ductwork to a roof or wall cap (not included). Using tape (not included), secure all the ductwork connections so that they are air tight. Insulated flexible duct is recommended for the quietest possible installation. If rigid duct is used, a short (1-3 feet) section of insulated flexible duct will ensure quiet operation.

The ducting from this fan to the outside of building has a strong effect on the air flow, noise and energy use of the fan. Use the shortest, straightest duct routing possible for best performance, and avoid installing the fan with smaller ducts than recommended. Insulation around the ducts can reduce energy loss and inhibit mold growth. Fans installed with existing ducts may not achieve their rated air flow.



## CONNECT ELECTRICAL WIRING

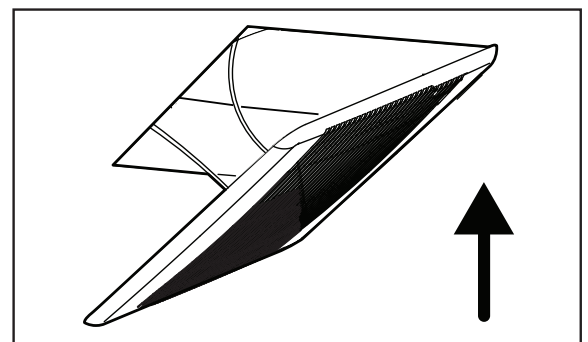
Run 120 V AC house wiring to the location of the fan. Use only UL-approved connectors (not included) to attach the house wiring to the wiring plate. Refer to the wiring diagram, and connect the wires as shown.



## INSTALL GRILLE

Install ceiling material to complete the ceiling construction and cut around the fan housing.

To attach the grille assembly to the fan housing, pinch the grille springs on the sides of the grille assembly and position the grille into the housing with the grille springs in the appropriate slots. Push the grille assembly towards the ceiling to secure.



# SERVICE PARTS

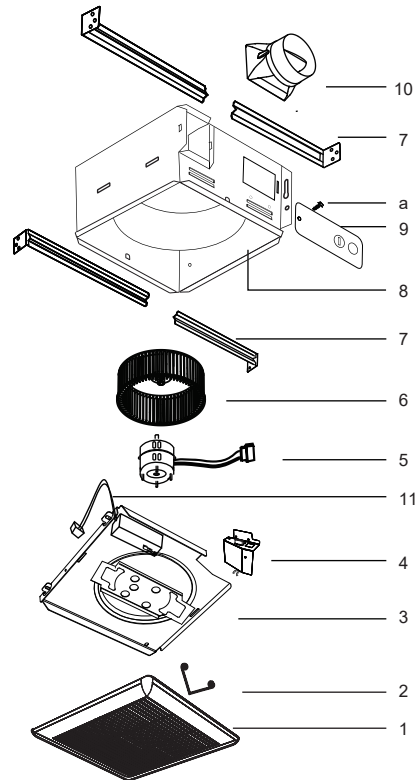
PART	PART NAME	Qty.
1	Grille Assembly (includes part 2)	1
2	Grille Spring	2
3	Motor Plate	1
4	Wire Panel / Harness Assembly	1
5	Motor	1
6	Blower Wheel	1
7	Hanger Bars	4
8	Housing	1
9	Wiring plate	1
10	Damper / Duct Connector	1
11	Power box	1
a	Screw	1

\* Blower Assembly includes part 5, 6.

Replacement installation:

Remove the screw on motor plate (part 3), then take out the motor plate (part 3) from the housing (part 8) by pushing down the rib in the plate while pulling out on the side of the housing. Replace the broken parts.

**WARNING:** Ensure that the fan is switched off from the supply mains before replacing.



## WARRANTY

S&P USA Ventilation Systems, LLC. & S&P Canada Ventilation Products, Inc. warrants to the original end user of its products that our exhaust fans will be free from defects in materials and workmanship for a period of Five (5) years from the date of original purchase. 6 years warranty for motor and 5 years warranty for the remaining fan parts. THERE ARE NO OTHER WARRANTIES, EXPRESSED OR IMPLIED, INCLUDING BUT NOT LIMITED TO IMPLIED WARRANTIES OF SUITABILITY FOR A PARTICULAR PURPOSE.

During this five year period, S&P will, at its option, repair returned products or parts, or provide replacement products or parts, without charge, for any product or part which is found to be defective under normal use.

This warranty does not cover normal maintenance and service or any parts that have been subject to misuse, negligence, accident, improper maintenance or repair, faulty installation or installation contrary to recommended installation instructions. S&P's obligation to repair or replace, at S&P's option, shall be the purchaser's sole and exclusive remedy under this warranty. No labor or materials are covered by this warranty. S&P shall not be liable for incidental damages arising out of or in connection with product use or performance.

This warranty gives you specific legal rights. You may also have other rights which vary from state to state.

To qualify for warranty service, you must notify S&P at the address or telephone number stated below, provide the model number and part identification, and describe the nature of any defect in product or part. You may be required to ship a defective part to S&P. There will be no charge for shipping repaired or replacement parts from S&P to you if your address is in the United States or Canada. At the time of requesting warranty service, you must present evidence of the original purchase date.

### S&P USA Ventilation Systems, LLC.

6393 Powers Avenue Jacksonville, FL 32217

P. 904-731-4711

F. 904-731-8322

www.spvg-northamerica.com

### S&P Canada Ventilation Products, Inc.

5600 Ambler Drive Mississauga, ON L4W 2K9

P. 866-733-0233

F. 866-358-5346

www.solerpalaucanada.com