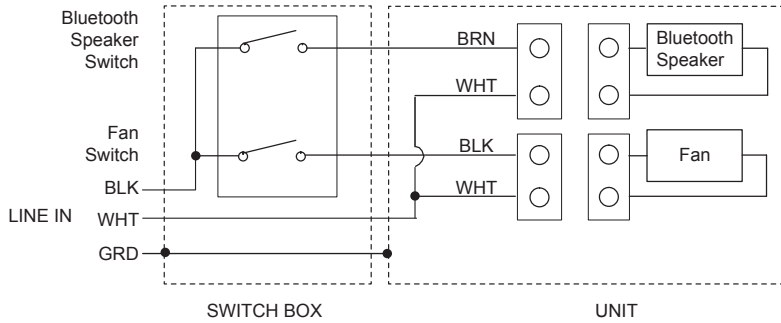


Fan with Bluetooth Speaker

CONNECT WIRING DIAGRAM



OPERATION

PAIRING BLUETOOTH SPEAKER

Pairing your device to the Bluetooth Speaker

From your device, choose Setting - BLUETOOTH, the device searches for BLUE-TOOTH-SPEAKER.

Choose the BLUE-TOOTH-SPEAKER, pairing is complete, you can use the Bluetooth speaker to play music files with your device.

ASSEMBLY INSTRUCTIONS

- 1.Remove the Grille Assembly from the fan.
- 2.Put power box in the place showed right, fixed it with screws, and insert the plug from the box into the suitable wire panel. Connect electrical wiring refer to "CONNECT WIRING DIAGRAM".
- 3.Install Grille Assembly to the fan.

