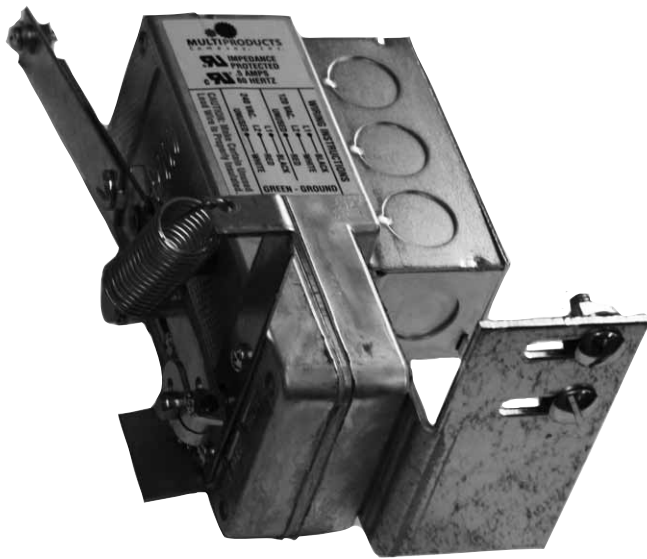




WALL SHUTTER MOTOR
Models EAS1232MTR & EAS3850MTR



INSTALLATION AND WIRING INSTRUCTIONS
READ INSTRUCTIONS CAREFULLY BEFORE ATTEMPTING
TO INSTALL, OPERATE OR SERVICE MOTOR.
RETAIN INSTRUCTIONS FOR FUTURE REFERENCE.

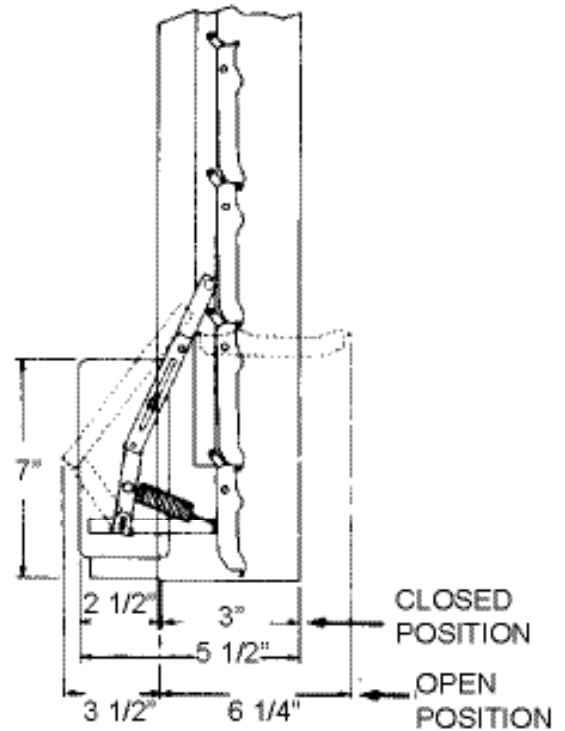
EAS1232MTR For Single Panel Shutter 12 Thru 36 Inch

The single panel exhaust shutter motor pack, model EAS1232MTR is designed to be used with shutter models 556, EAS & EAS-RF. Field installation is required to convert gravity exhaust shutter to motorized operation. This motor pack features power open spring close, which provides closure in the event of electrical failure. This motor pack is equipped with motor, motor bracket, linkage and mounting hardware.

INSTALLATION INSTRUCTIONS:

1. Fasten motor plate loosely to shutter frame. Mounting hole(s) located on frame bottom. For model EAS and EAS-RF, use "B" hole only. Refer to figure 2.
2. With shutter blades closed and motor arm in closed position, loosen adjustable extension arm connected to motor crankarm.
3. Connect adjustable extension arm to the shutter tie rod and tighten securely. (Note, the extension arm must be on the right side of the tie rod.)
4. Tighten adjustable extension arm that was loosened in step (2) above.
5. Slide the motor bracket plate right or left to align linkage and motor crankarm along side of tie rod. Tighten motor bracket plate securely to frame.
6. Determine power supply voltage and wire motor per appropriate wiring diagram included on instruction sheet.

*Side view of shutter frame and installed motor pack



*Maximum operating dimensions

Figure 1

Specifications

Motor Pack Part No.	Power Supply Required	Running AMPS	Stall Torque	Damper Panels	Lead Length
EAS1232MTR	115/230V, 60 Hz	.11/.07	77 ins. lbs.	Single	6"

(*) Motor is single-phase, continuous duty with a 40°C, (104°F) maximum ambient temperature.

GENERAL SAFETY INFORMATION

1. Follow all local electrical and safety codes, as well as the National Electrical Code (NEC) and the Occupational Safety and Health Act (OSHA).
2. Motor must be securely and adequately grounded. This can be accomplished by wiring with a grounded, metal-clad raceway system, by using a separate ground wire connected to the green wire in the motor junction box.
3. Always disconnect power source before working on or near a motor or its connected load. If the power disconnect point is out-of-sight, lock it in the open position and tag to prevent unexpected application of power.
4. Protect the power cable from coming in contact with sharp objects.
5. Do not kink power cable and never allow the cable to come in contact with oil, grease, hot surfaces, or chemicals.
6. Make certain that the power source conforms to the requirements of your equipment.

REPLACEMENT PARTS LIST

Ref. No.	Description	Part No.	Qty.
1	60 Hz Motor 120/240V	UL14V-3050	1 ea.
2	Motor Crankarm	Linkage	1 ea.
3	Motor Bracket, Nut & Bolts	3239	1 ea.
4	Motor Arm Stop	50010	1 ea.
5	Return Spring	FRP556-104	1 ea.
6	Motor Arm Rubber Stop	26067	1 ea.
7	Spring Bracket	50011	1 ea.

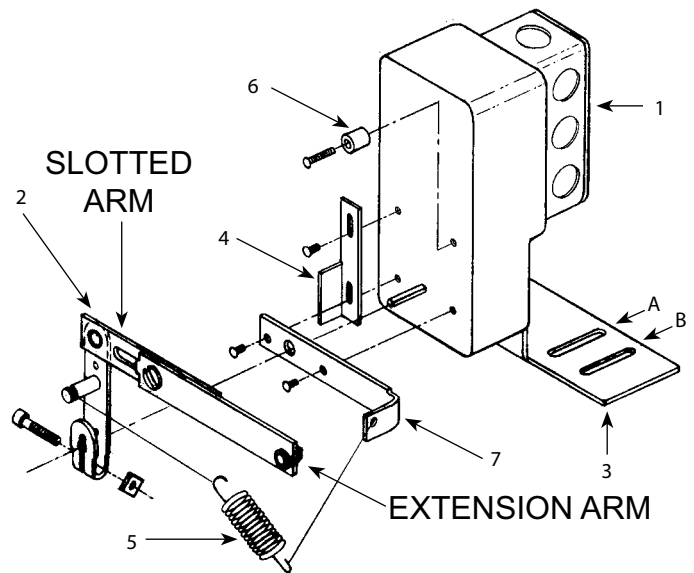


Figure 2 - Attaching Motor Plate

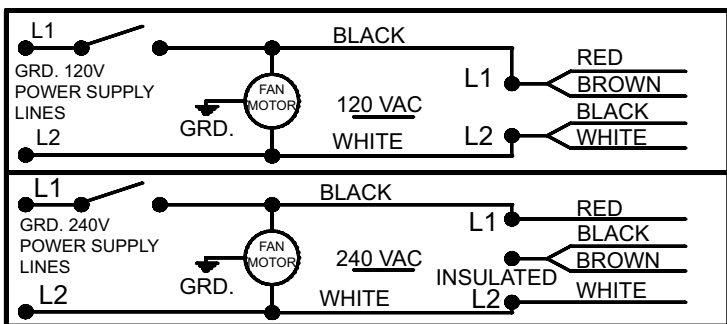


Figure 3 – Wiring Diagram – 120V and 240V, 60 Hz

EAS3850MTR For Double Panel Shutter 42 & 48 Inch

The double panel exhaust shutter motor pack, model EAS3850MTR is designed to be used with shutter models 556, EAS & EAS-RF. Field installation is required to convert gravity exhaust shutter to motorized operation. This motor pack features power open spring close, which provides closure in the event of electrical failure. This motor pack is equipped with motor, motor bracket, linkage and mounting hardware.

INSTALLATION INSTRUCTIONS:

1. Fasten the motor bracket to the center mullion bar. Be sure that the motor is at the bottom of the frame as far as possible. Tighten the motor bracket using motor bracket screws provided.
2. Loosen the slide adjustment nuts on the yoke and spread the slide adjustment bars out equally to reach the tie rods so that the threaded rod is in the center of the mullion bar. (Refer to Figure 2 for parts breakdown)
3. Fasten the yoke clips to the outside of the tie rods and tighten the yoke clips and the slide adjustment nuts to the yoke on both sides.
4. With the motor arm up against the rubber stop and the shutter closed tight, adjust the nuts on the threaded rod to yoke bracket and tighten.
5. Determine power supply voltage and wire motor per appropriate wiring diagram included on instruction sheet.

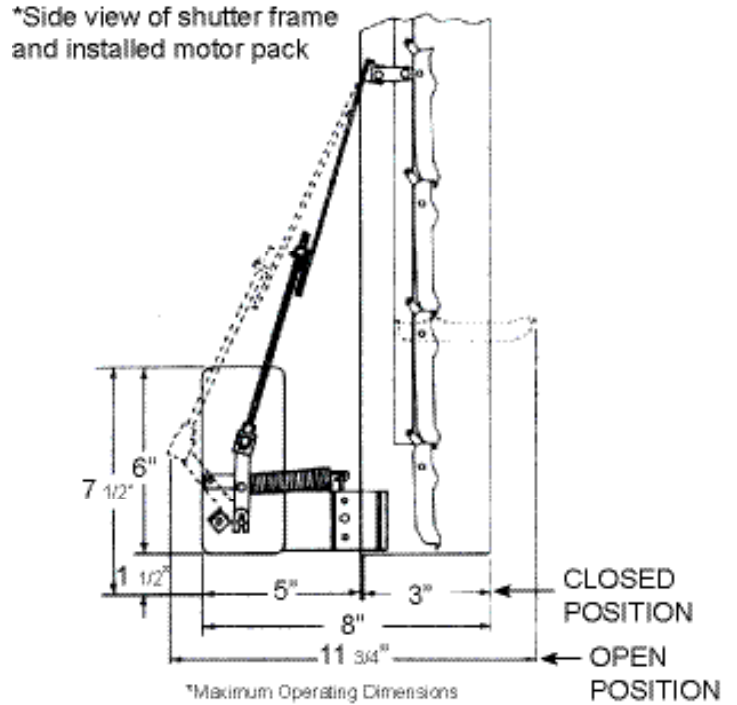


Figure 1

Specifications

Motor Pack Part No.	Power Supply Required	Running AMPS	Stall Torque	Damper Panels	Lead Length
EAS3850MTR	115/230V, 60 Hz	.11/.07	77 ins. lbs.	Double	6"

(*) Motor is single-phase, continuous duty with a 40°C, (104°F) maximum ambient temperature.

GENERAL SAFETY INFORMATION

1. Follow all local electrical and safety codes, as well as the National Electrical Code (NEC) and the Occupational Safety and Health Act (OSHA).
2. Motor must be securely and adequately grounded. This can be accomplished by wiring with a grounded, metal-clad raceway system, by using a separate ground wire connected to the green wire in the motor junction box.
3. Always disconnect power source before working on or near a motor or its connected load. If the power disconnect point is out-of-sight, lock it in the open position and tag to prevent unexpected application of power.
4. Protect the power cable from coming in contact with sharp objects.
5. Do not kink power cable and never allow the cable to come in contact with oil, grease, hot surfaces, or chemicals.
6. Make certain that the power source conforms to the requirements of your equipment.

REPLACEMENT PARTS LIST

Ref. No.	Description	Part No.	Qty.
1	60 Hz Motor 120/240V	UL14V-3050	1 ea.
2	Motor Crankarm	Linkage	1 ea.
3	Treaded Rod 5/16-18	3237	1 ea.
4	Motor Bracket	50002	1 ea.
5	Motor Arm Stop	50010	1 ea.
6	Return Spring	FRP556-104	1 ea.
7	Motor Arm Rubber Stop	26067	1 ea.
8	Spring Bracket	50011	1 ea.
9	Yoke (only)	3235	1 ea.
10	Slide Adjustment Bars (2)	3238	1 ea.

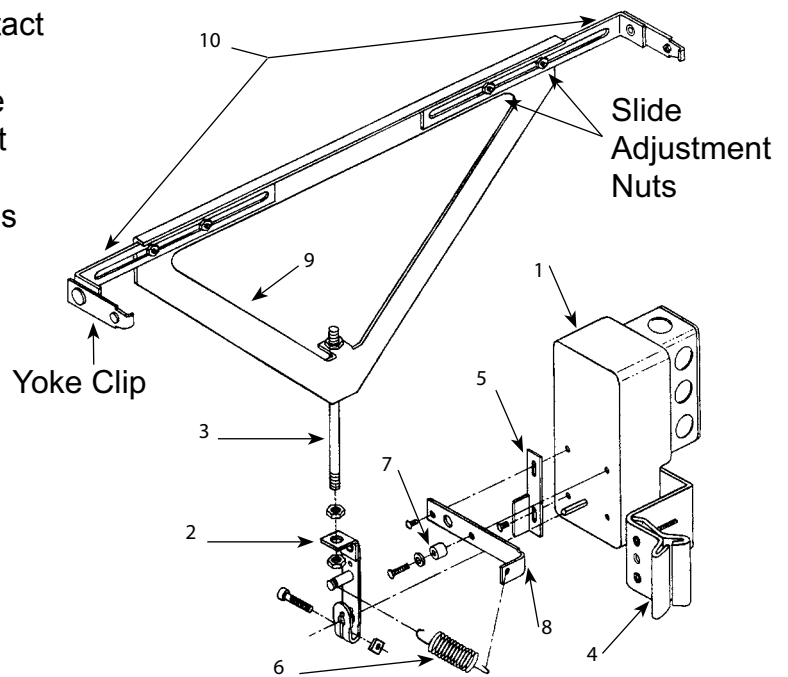


Figure 2 - Replacement Parts Diagram

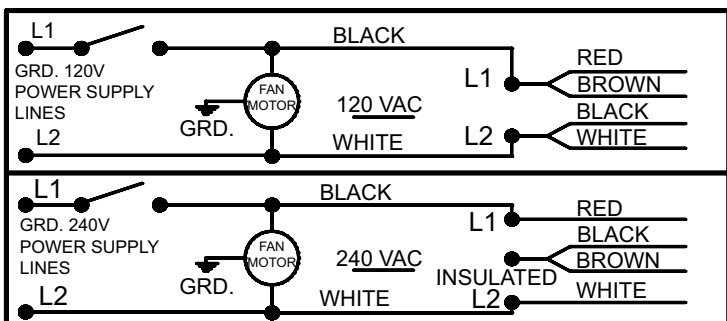


Figure 3 - Wiring Diagram - 120V and 240V, 60 Hz

Limited Warranty

All products manufactured are warranted by to S&P USA to be free from original defects in workmanship for a period of one year from date of shipment, under conditions of normal use and service. to S&P USA will replace or repair any defective parts upon return to our plant, freight prepaid. This limited warranty will, in no way, include the payment of labor charges for field replacement of defective parts, installation, repairs of adjustments, or any other work done. Back charges will not be accepted for any reason unless to S&P USA has given prior written permission, nor will to S&P USA be responsible for consequential damages of any character, no limited warranty expressed or implied will supersede the foregoing.



S&P USA Ventilation Systems, LLC **S&P Canada Ventilation Products, Inc.**

6393 Powers Avenue Jacksonville, FL 32217 P. 904-731-4711 · F. 904-737-8322 www.spvg-northamerica.com	5600 Ambler Drive Mississauga, ON L4W 2K9 - Canada Tel. 416-744-1217 · Fax 416-744-0887 www.solerpalaucanada.com
---	---

Soler&Palau
Ventilation Group