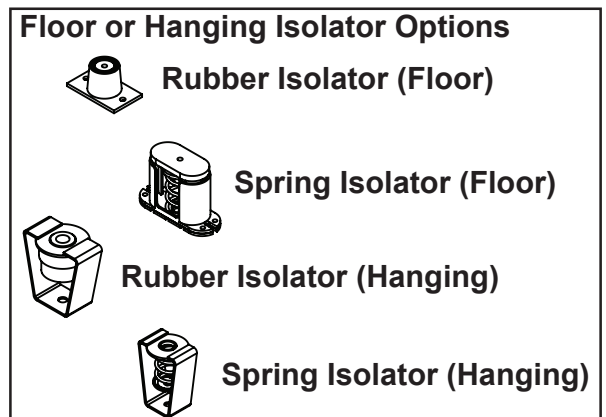
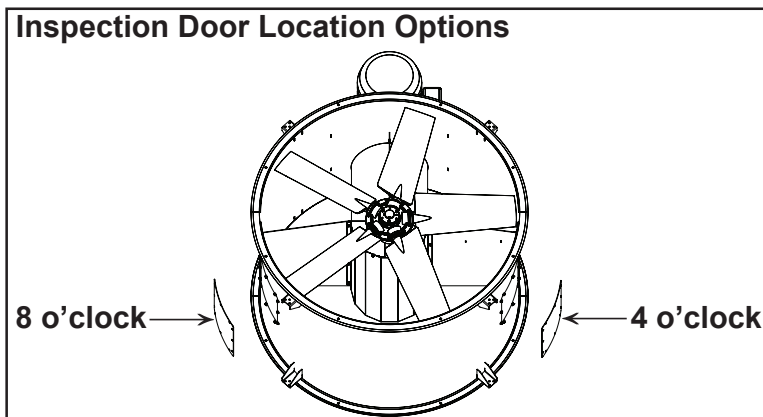
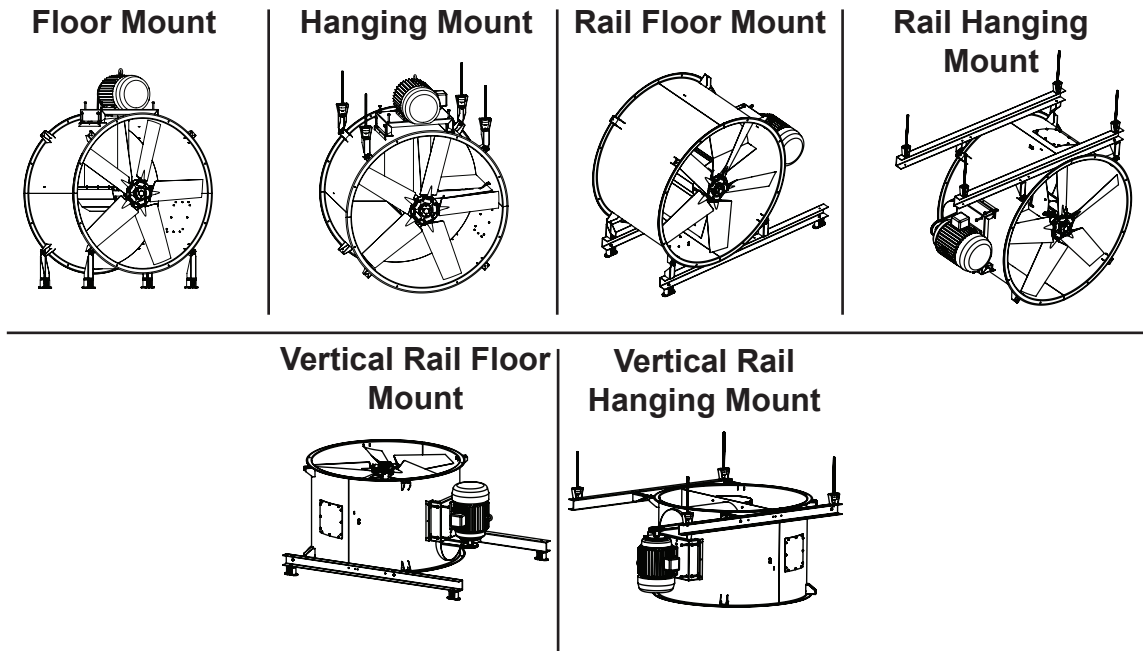


MOUNTING CONFIGURATIONS



Note: The 12 & 16 are designed to mount to a supported duct work and do not have all mounting configurations.