


MODELS LCE/LCS, L2E/L2S, L3E/L3S

BELT DRIVE SIDEWALL PROPELLER FANS

LINE OVERVIEW




S&P's Belt Drive Sidewall Propeller Fan line is designed to exhaust or supply large volumes of air at relatively low static pressures. With 3 levels of construction, the belt drive models are for use in a variety of applications for commercial, industrial and agricultural buildings such as manufacturing and assembly plants, warehouses, parking garages, gymnasiums, equipment rooms, distribution centers, foundries, boiler rooms, greenhouses and OEM applications. The direct drive models provide general ventilation for a wide variety of buildings and enclosed areas within buildings. Examples include factories, assembly plants, warehouses, gymnasiums, garages, jails, machine rooms and many others.

These Sidewall Propeller Fans are rated from 3,000 to 85,000 CFM with static pressures to 1" w.g. Models range from 20 to 72". A wide range of accessories are available to meet any need or specification. See the below Model Comparison to find the right Belt Drive Sidewall Propeller Fan for your application.

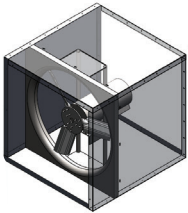
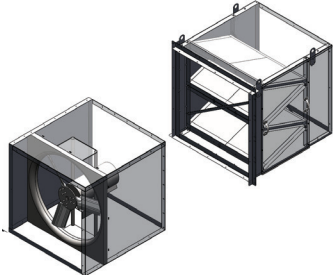
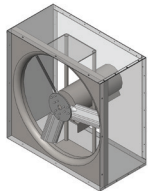


Models LCE & LCS are available in our Quickship program. Most sizes are available for next day or 10-day shipping from stock.

MODEL COMPARISON

| Construction Level | | Model | Size Range | Performance |
|--------------------|--|------------|------------|---|
| 1 |  G90 galvanized steel blades bolted to an epoxy coated hub | LCE LCS | 20 to 60" | 3,000 to 40,000 CFM up to .625" w.g. |
| 2 |  G90 galvanized steel blade bolted to a welded, structural steel hub plate | L2E L2S | 24 to 60" | 5,000 to 47,000 CFM up to .75" w.g. |
| 3 |  G90 galvanized steel with double 16 gauge laminations bolted to a welded, structural steel hub plate | L3E L3S | 42 to 72" | 35,000 to 85,000 CFM up to 1" w.g.. |

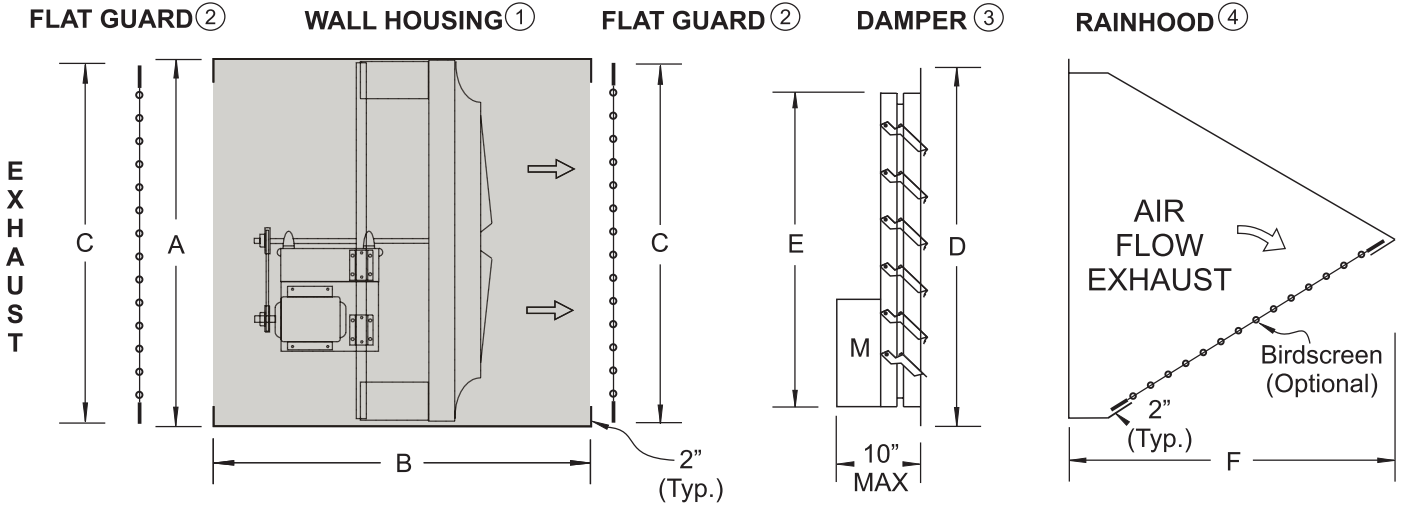
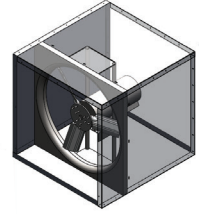
MOUNTING ARRANGEMENT OPTIONS

| Mounting Arrangement | Description |
|---|--|
| Wall Housing  | Heavy-gauge, all galvanized G-90 steel housing provides a simple solution to installing a fan and all required accessories in a rough wall opening. It can be used in exhaust or supply applications and in fan sizes 20 through 72 inch. |
| Filtered Wall Housing  | For installations where filtering is required. Heavy-gauge, all galvanized G-90 steel filtered wall housings are available in both supply and exhaust configurations. They are available in eight (8) sizes for fans ranging from size 20 to 60 inches. They are designed with the draw-thru concept to achieve the highest filter and fan efficiencies. |
| Wall Collar  | Heavy-gauge, all G-90 galvanized mounting collar provides a simple solution to installing a fan in a rough wall opening when a rear safety guard is NOT required. |

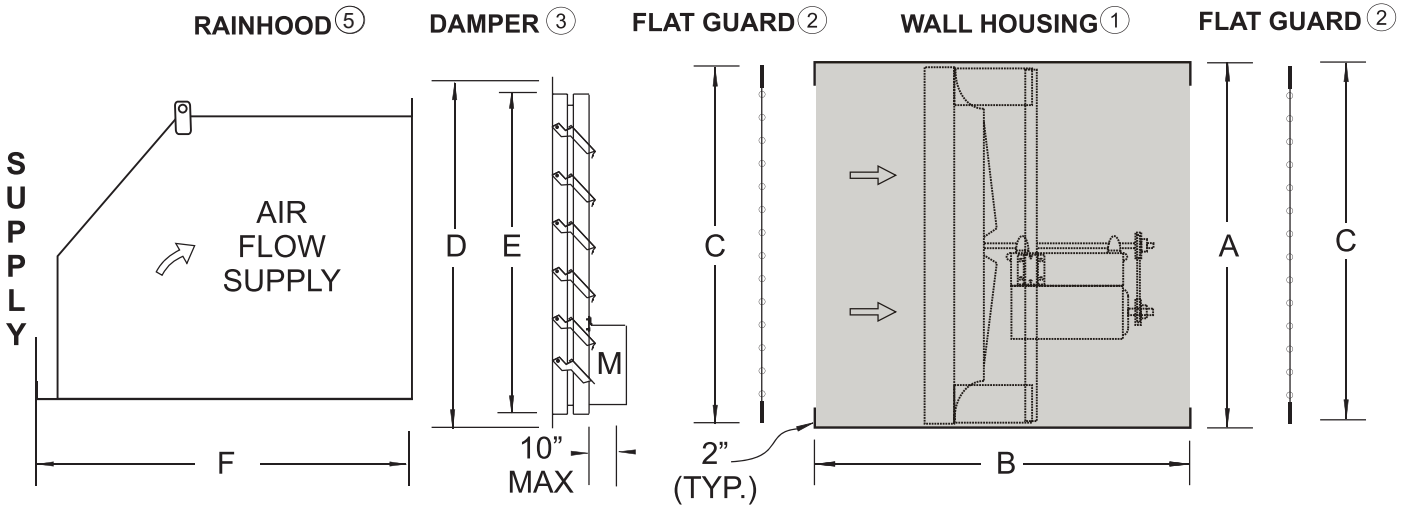


WALL HOUSING MOUNTING OPTION

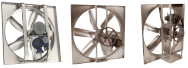
This heavy-gauge, all galvanized G-90 steel housing provides a simple solution to installing a fan and all required accessories in a rough wall opening. It can be used in exhaust or supply applications and in fan sizes 20 through 72 inch. Depending on space and maintenance requirements, the wall housing may be installed inward or outward of the building. All housings ship assembled with the fan to lessen job site installation costs. Wire guards, shutters and and/or rainhoods may be attached to the prepunched flange. We strongly recommend rainhoods and motorized shutters for all supply applications and whenever additional weather protection is desired.



| Fan Size | Wall Housing ① | | Minimum Wall Opening | Flat Guard ② | Damper ③ | | Exhaust | Supply |
|----------|----------------|----------|----------------------|--------------|-----------------------------|-----------------------------|---------|--------|
| | A (Sq. O.D) | B Length | | | Optional Rainhood 45 Deg. ④ | Required Rainhood 90 Deg. ⑤ | | |
| | | Exh/Sup | | | | | F | F |
| | LC, L2 & L3 | (Sq) | C (Sq) | D (O.D) | E | F | F | |
| 20 | 25 | 44 | 25 1/2 | 24 | 22 1/2 | 20 | 24 1/4 | 27 3/4 |
| 24 | 31 | 44 | 31 1/2 | 30 | 28 1/2 | 26 | 28 1/2 | 38 1/2 |
| 30 | 37 | 44 | 37 1/2 | 36 | 34 1/2 | 32 | 34 1/2 | 44 1/2 |
| 36 | 43 | 44 | 43 1/2 | 42 | 40 1/2 | 38 | 40 1/2 | 49 |
| 42 | 49 | 44 | 49 1/2 | 48 | 46 1/2 | 44 | 44 1/2 | 56 1/2 |
| 48 | 55 | 44 | 55 1/2 | 54 | 52 1/2 | 50 | 49 1/2 | 62 1/2 |
| 54 | 61 | 44 | 61 1/2 | 60 | 58 1/2 | 56 | 55 | 73 |
| 60 | 67 | 44 | 67 1/2 | 66 | 64 1/2 | 62 | 69 | 73 |
| 72 | 81 | 44 | 81 1/2 | 80 | 78 1/2 | 76 | 75 1/2 | 73 |

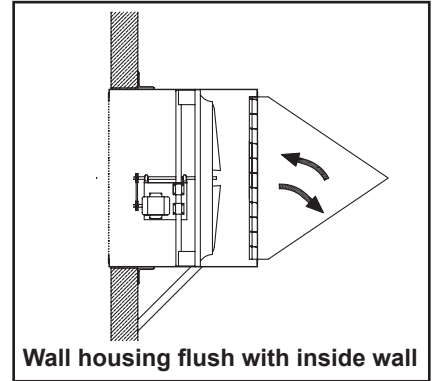
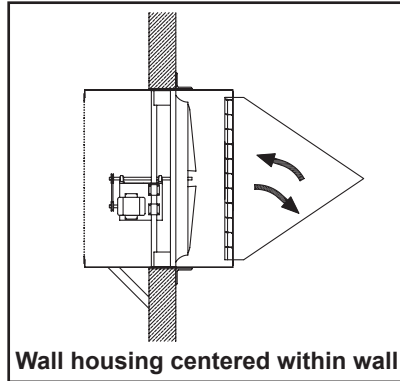
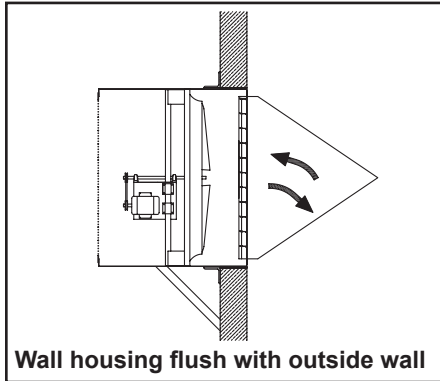


Rainhood recommended for supply applications.



WALL HOUSING STANDARD MOUNTING ARRANGEMENTS

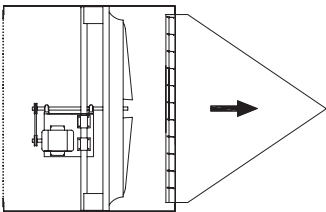
The most common mounting arrangement (below left) leaves a clean building exterior and allows access to the fan, motor and drives from inside the building. Additional bracing angle, rod or cable (field provided) should be used in addition to the mounting angles to support the fan and wall housing assembly.



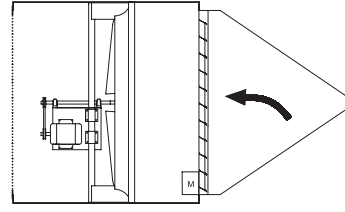
NOTE: Supply applications have the fan venturi spun on the opposite side of the fans shown above. The fans shown are exhaust. Rainhoods are required on supply applications and recommended on exhaust applications where additional weather protection is desired. Exhaust and/or supply fans installed as shown should be serviced from the interior of the building. Where service is required from the exterior of the building, consult the factory or representative for recommendations. All bracing shown is field provided. Field flashing and caulking of wall housing seams and unused mounting holes, will ensure a weather resistant installation.

PRESSURE LOSS GUIDE FOR WALL HOUSING ACCESSORIES

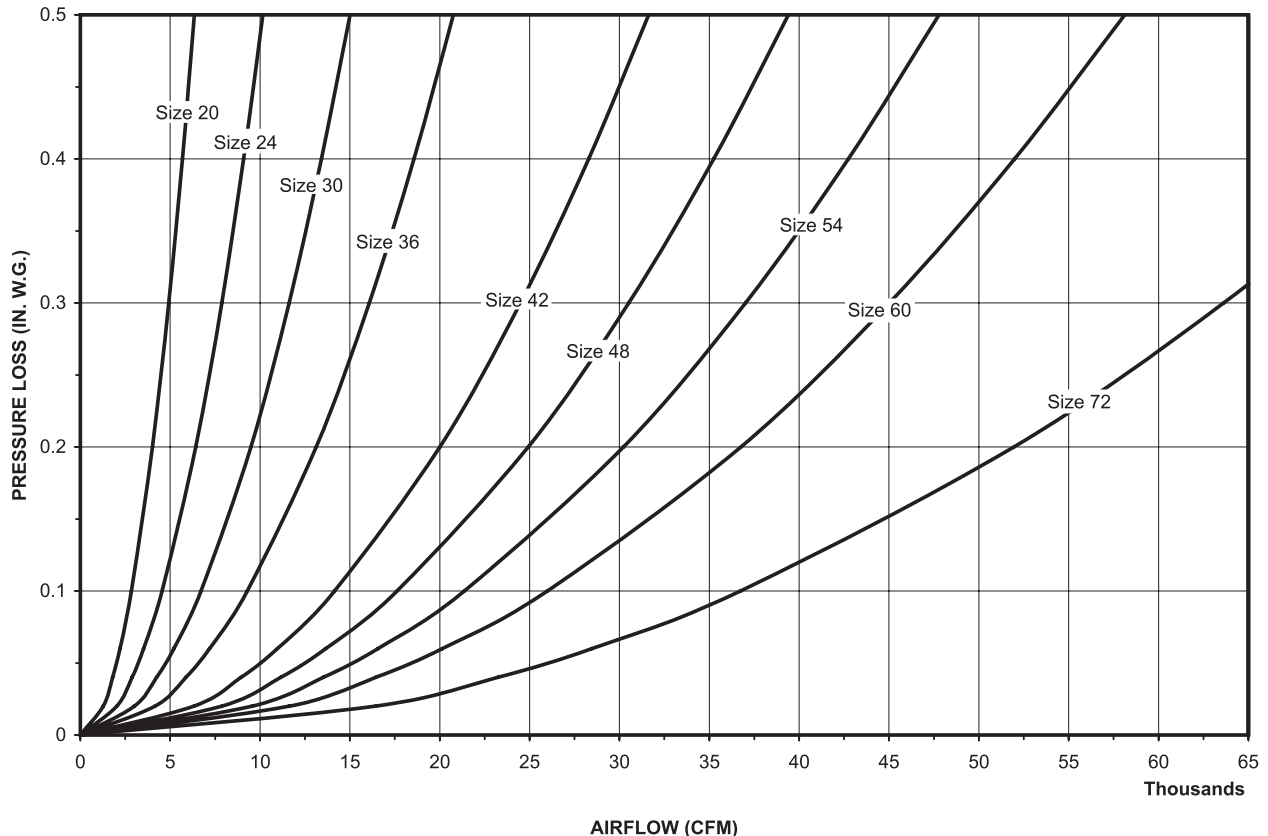
Use the estimated pressure drop graphs to help select the proper exhaust or supply fan package that will deliver the desired airflow. Enter the graph from the bottom at the specified CFM and move vertically upward to the fan curve for the desired fan size, then horizontally to the left and read the estimated static pressure drop resulting from these typical accessory packages. Add the accessory pressure loss to the system (or building) design static pressure loss to obtain the total static pressure loss to be used for the proper fan selection.



Exhaust Airflow
 with Wall Housing
 Gravity Damper
 Rainhood
 Motorside Guard



Supply Airflow
 with Wall Housing
 Gravity Damper
 Rainhood
 Motorside Guard

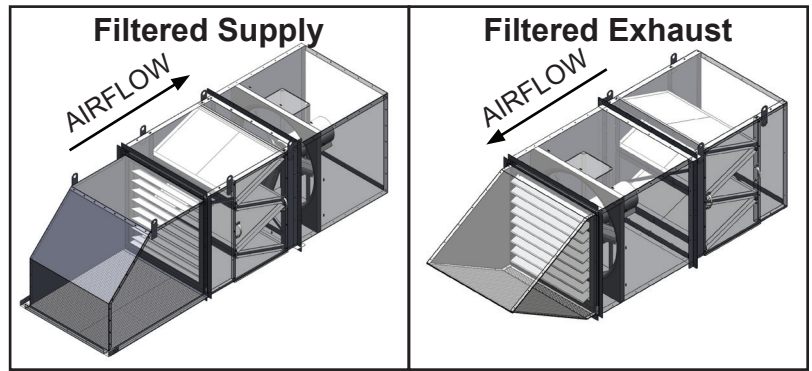




FILTERED WALL HOUSING MOUNTING OPTIONS

Filtered wall housings are available in both supply and exhaust configurations. They are available in eight (8) sizes for fans ranging from size 20 to 60 inches. They are designed with the draw-thru concept to achieve the highest filter and fan efficiencies.

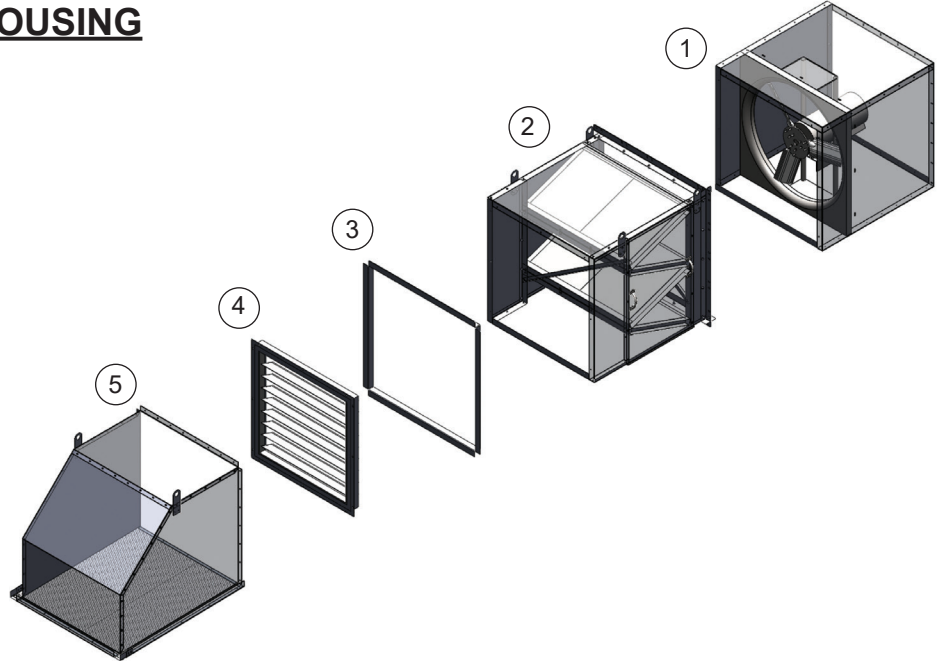
Standard construction is galvanized steel. Mounting flanges are factory installed for either flush exterior or flush interior. Permanent 2-inch (51 mm) washable filters are accessed through a bolted or hinged panel and can be easily removed for cleaning.



FILTERED SUPPLY WALL HOUSING

Standard Features and Options

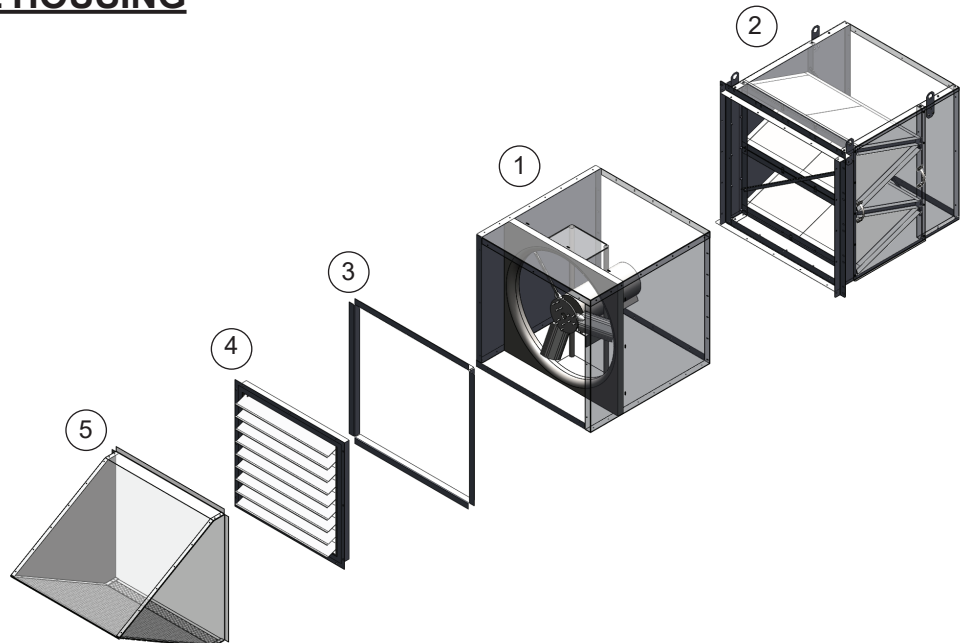
1. **Wall Housing Box (Standard)**
2. **Filter Box (Standard)**
 - Bolted or Hinged Door
 - Includes 2 sets of flanges for mounting filter box to wall housing.
3. **Wall Mount Flanges (Standard)**
 - Set of 4 - shipped loose
4. **Damper (Optional)**
 - Supply Type
 - Gravity, Motorized, or Center Pivot
5. **Rain Hood (Optional)**
 - 90 Degree - Supply Type

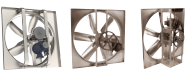


FILTERED EXHAUST WALL HOUSING

Standard Features and Options

1. **Wall Housing Box (Standard)**
2. **Filter Box (Standard)**
 - Bolted or Hinged Door
 - Includes 2 sets of flanges for mounting filter box to wall housing.
3. **Wall Mount Flanges (Standard)**
 - 1 set of 4 - shipped loose
4. **Damper (Optional)**
 - Exhaust Type
 - Gravity, Motorized, or Center Pivot
5. **Rain Hood (Optional)**
 - 45 Degree - Exhaust Type

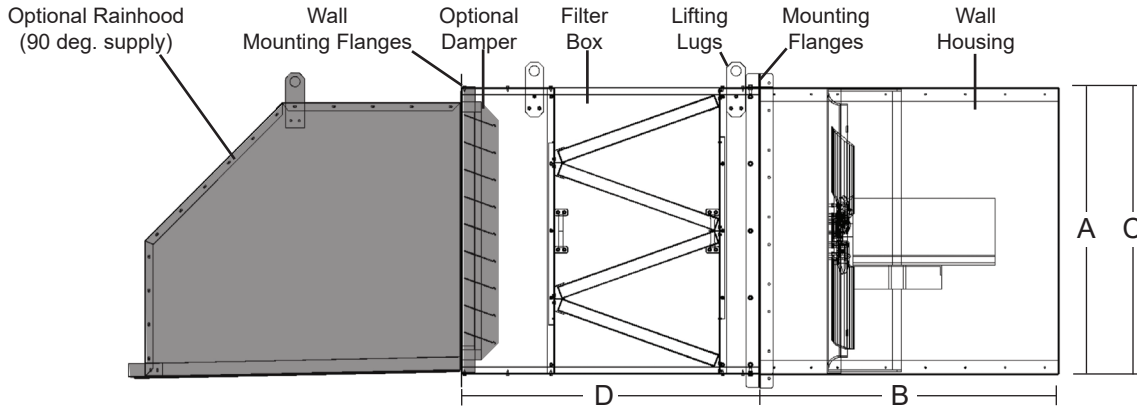




FILTERED WALL HOUSING MOUNTING OPTIONS Cont.

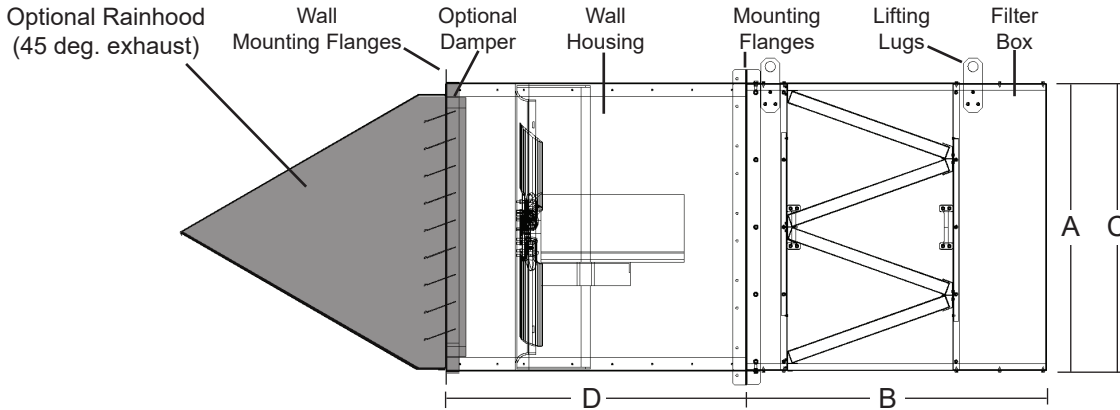
Filtered Wall Housing Dimensions

Filtered Supply



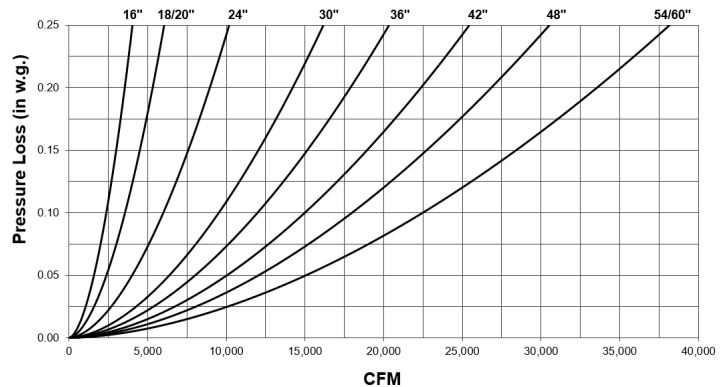
| Fan Size | Wall Housing | | Minimum Wall Opening Sq | Filter Box | | | |
|----------|--------------|---------------------|----------------------------|------------|--------|--------------|--------------------------|
| | A | B Length LC & L2 | | C | D | # of Filters | Filter Actual Dimensions |
| 20 | 25 | 44 | 25 1/2 | 25 | 44 1/8 | 3 | 19 5/8 x 24 5/8 x 1 7/8 |
| 24 | 31 | 44 | 31 1/2 | 31 | 41 1/8 | 4 | 19 5/8 x 24 5/8 x 1 7/8 |
| 30 | 37 | 44 | 37 1/2 | 37 | 44 1/8 | 8 | 15 5/8 x 24 5/8 x 1 7/8 |
| 36 | 43 | 44 | 43 1/2 | 43 | 44 1/8 | 8 | 19 5/8 x 24 5/8 x 1 7/8 |
| 42 | 49 | 44 | 49 1/2 | 49 | 44 1/8 | 10 | 19 5/8 x 24 5/8 x 1 7/8 |
| 48 | 55 | 44 | 55 1/2 | 55 | 40 1/2 | 12 | 19 5/8 x 24 5/8 x 1 7/8 |
| 54 | 61 | 44 | 61 1/2 | 61 | 44 1/8 | 15 | 19 5/8 x 24 5/8 x 1 7/8 |
| 60 | 67 | 44 | 67 1/2 | 67 | 44 1/8 | 15 | 19 5/8 x 24 5/8 x 1 7/8 |

Filtered Exhaust



PRESSURE LOSS GUIDE FOR FILTER BOX

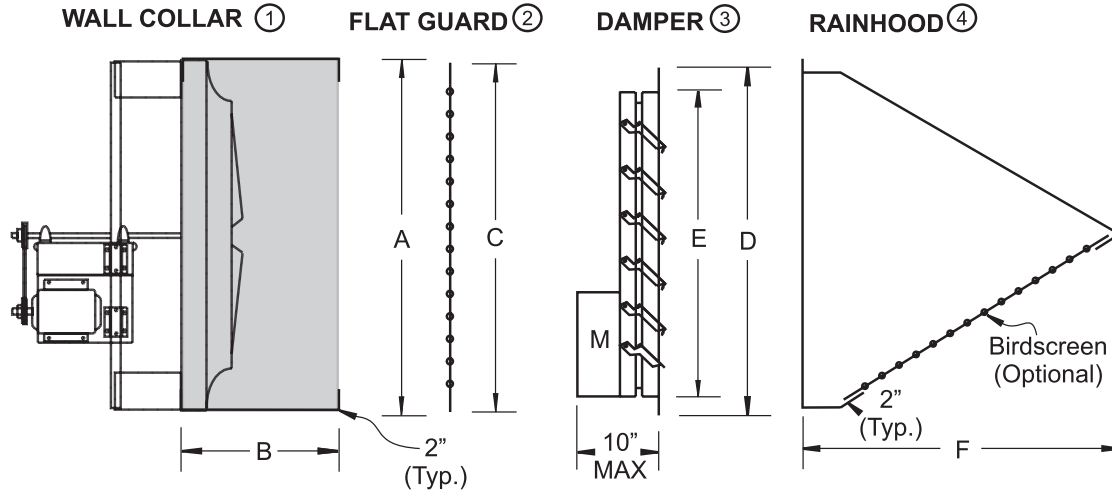
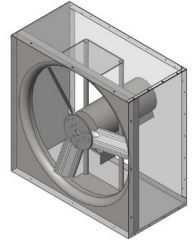
Use the estimated pressure drop graphs to help select the proper exhaust or supply fan that will deliver the desired airflow. Enter the graph from the bottom at the specified CFM and move vertically upward to the fan curve for the desired size, then horizontally to the left and read the estimated static pressure drop resulting from these typical accessory packages. Add the accessory pressure loss to the system (or building) design static pressure loss to obtain the total static pressure loss to be used for the proper fan selection.





WALL COLLAR MOUNTING OPTION

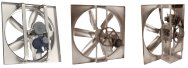
The heavy-gauge, all G-90 galvanized mounting collar provides a simple solution to installing a fan in a rough wall opening when a rear safety guard is **NOT** required. A front wire guard, shutter, and/or rainhood can be attached to the front prepunched flanges. The wall collar can be used in exhaust or supply applications for all fan sizes. The wall collar is mounted with the fan on the interior side of the building. All collars ship fully assembled with the fan to lessen jobsite installation costs. We strongly recommend rainhoods and motorized shutter for all supply applications as well as for exhaust applications where additional weather protection is desired.



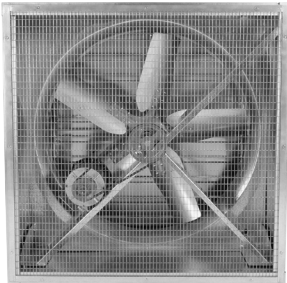


Dimensions

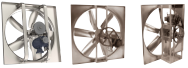
| Fan Size | Wall Collar ① | | Minimum Wall Opening | Flat Guard ② | Damper ③ | | Rainhood ④ |
|----------|---------------|----|----------------------|--------------|----------|----|------------|
| | A | B | Sq | C | D (O.D) | E | F |
| 20 | 24 1/4 | 21 | 25 1/2 | 24 | 22 1/2 | 20 | 24 1/4 |
| 24 | 30 1/4 | 21 | 31 1/2 | 30 | 28 1/2 | 26 | 28 1/2 |
| 30 | 36 1/4 | 21 | 37 1/2 | 36 | 34 1/2 | 32 | 34 1/2 |
| 36 | 42 1/4 | 21 | 43 1/2 | 42 | 40 1/2 | 38 | 40 1/2 |
| 42 | 48 1/8 | 21 | 49 1/2 | 48 | 46 1/2 | 44 | 44 1/2 |
| 48 | 54 1/8 | 21 | 55 1/2 | 54 | 52 1/2 | 50 | 49 1/2 |
| 54 | 60 1/8 | 21 | 61 1/2 | 60 | 58 1/2 | 56 | 55 |
| 60 | 66 1/8 | 21 | 67 1/2 | 66 | 64 1/2 | 62 | 69 |
| 72 | 80 1/8 | 26 | 81 1/2 | 80 | 78 1/2 | 76 | 75 1/2 |

(a) Level 3 Construction requires a deeper motorside guard as shown. Unless shown otherwise supply and exhaust dimensions are similar.



ACCESSORIES & OPTIONS **FOR MOUNTING ARRANGEMENTS**

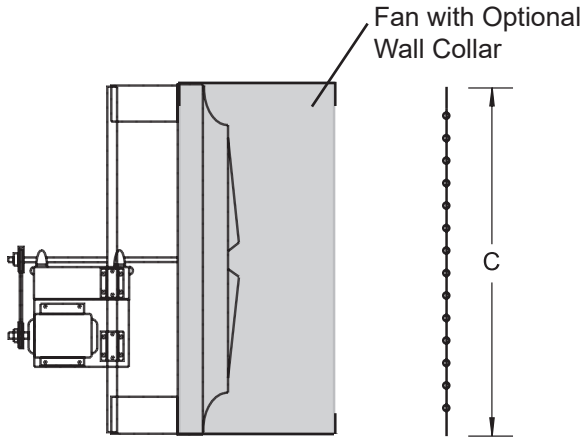
| Accessory or Option | |
|--|--|
|  | <p>Safety Guards Safety Guards (Standard or Heavy-Duty Flat Guards) are strongly recommended to protect personnel from accidental injury and to prevent debris from entering the fan. OSHA approved guards are required in many installations including when the fans are within 7 feet of the floor or work/access area.</p> |
|  | <p>Rainhoods or Weatherhoods Designed to provide additional weather protection by partially shielding the wall opening and should be used for all supply applications and whenever additional weather resistance is desired. The galvanized (aluminum optional) hood attaches to the wall housing or wall collar flanges. Field flashing and caulking will reduce moisture penetration. Shown with optional birdscreen.</p> |
|  | <p>Dampers Used alone or in conjunction with the wall housing or wall collar, a complete line of dampers are available for exhaust or supply configurations.</p> |



ACCESSORIES & OPTIONS FOR MOUNTING ARRANGEMENTS Cont.

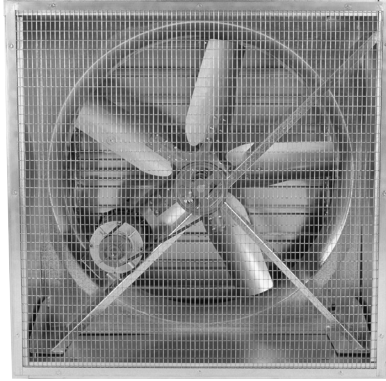
Safety Guards

Safety guards are strongly recommended to protect personnel from accidental injury and to prevent debris from entering the fan. OSHA approved guards are required in many installations including when the fans are within 7 feet of the floor or work/access area.



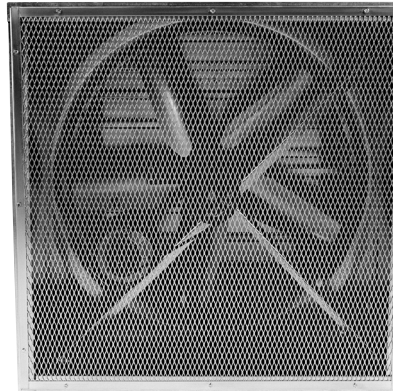
Dimensions

| Fan Size | C |
|----------|----|
| 20 | 24 |
| 24 | 30 |
| 30 | 36 |
| 36 | 42 |
| 42 | 48 |
| 48 | 54 |
| 54 | 60 |
| 60 | 66 |
| 72 | 80 |



Standard Duty Flat Wire Guard

The removable safety guard satisfies OSHA requirements when used with the optional wall housing as a motor-side (rear) guard. The 16 ga. 1/2" X 1" welded wire mesh is mounted in a galvanized frame and attaches to the inward flanges of the wall housing.



Heavy-Duty Flat Wire Guard

The removable safety guard satisfies OSHA requirements when used with the optional wall housing as a motor-side (rear) guard. The H.D. expanded aluminum mesh is mounted in a galvanized frame and attaches to the inward flanges of the wall housing.

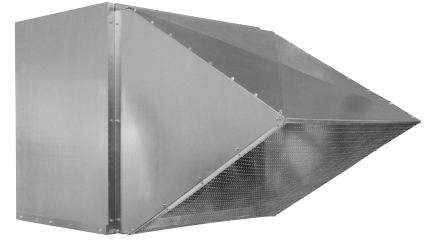


ACCESSORIES & OPTIONS

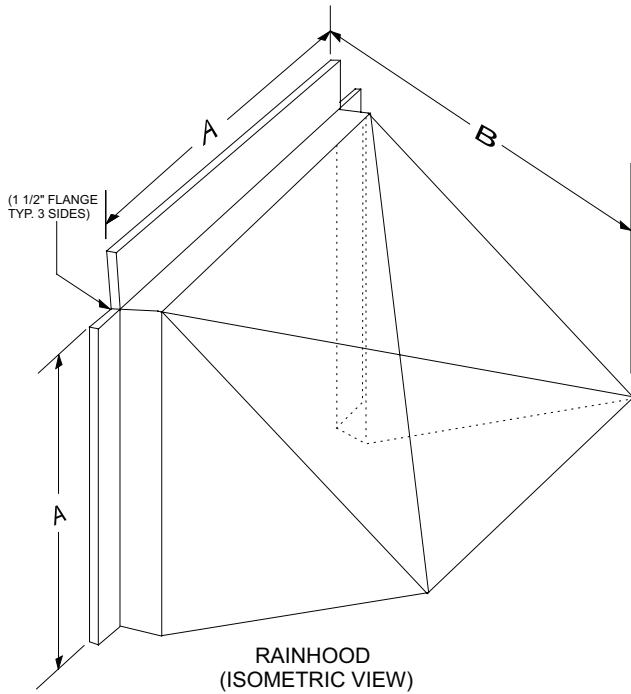
FOR MOUNTING ARRANGEMENTS Cont.

Rainhoods or Weatherhoods

Designed to provide additional weather protection by partially shielding the wall opening and should be used for all supply applications and whenever additional weather resistance is desired. The galvanized (aluminum optional) hood attaches to the wall housing or wall collar flanges. Field flashing and caulking will reduce moisture penetration. Shown with optional birdscreen.



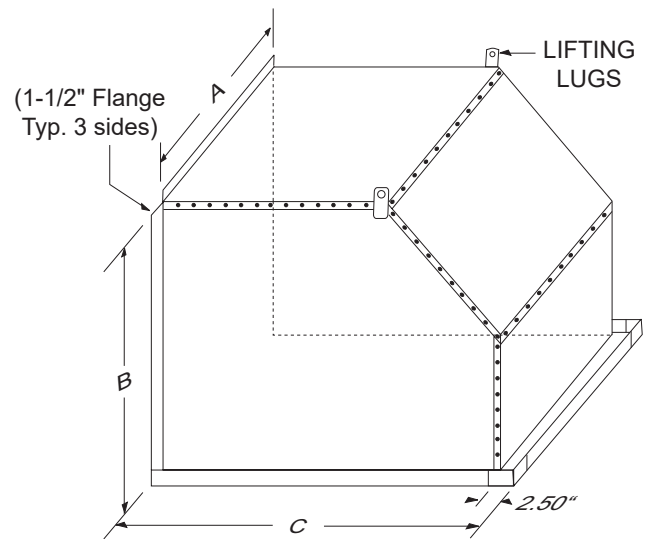
45 Degree Exhaust



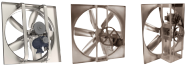
RAINHOOD
(ISOMETRIC VIEW)

| Fan Size | A | B | GAUGE (2) | AVG. WT. |
|----------|----|--------|-----------|----------|
| 20 | 22 | 24-1/4 | 18 | 25 |
| 24 | 28 | 28-1/2 | 18 | 30 |
| 30 | 34 | 34-1/2 | 18 | 40 |
| 36 | 40 | 40-1/2 | 18 | 50 |
| 42 | 46 | 46-1/2 | 18 | 60 |
| 48 | 52 | 49-1/2 | 16 | 70 |
| 54 | 58 | 58-1/2 | 16 | 120 |
| 60 | 64 | 64-1/2 | 16 | 175 |
| 72 | 78 | 64-1/2 | 16 | 200 |

90 Degree Supply



| Fan Size | A | B | C | GAUGE (2) | AVG. WT. |
|----------|--------|--------|--------|-----------|----------|
| 20 | 22 | 22 | 27-3/4 | 18 | 25 |
| 24 | 27-1/4 | 26-1/2 | 38-1/2 | 18 | 30 |
| 30 | 32-1/2 | 33-1/2 | 44-1/2 | 18 | 40 |
| 36 | 38-1/2 | 39-1/4 | 49 | 18 | 50 |
| 42 | 44-1/2 | 45-1/4 | 56-1/2 | 18 | 60 |
| 48 | 50-1/2 | 51-1/2 | 62-1/2 | 18 | 70 |
| 54 | 56-3/4 | 57 | 73 | 18 | 120 |
| 60 | 62-3/4 | 63 | 73 | 18 | 175 |
| 72 | 76-3/4 | 76-3/4 | 73 | 18 | 200 |



ACCESSORIES & OPTIONS **FOR MOUNTING ARRANGEMENTS Cont.**

Damper Types (Shutters)

Heavy-Duty Galvanized Exhaust Motorized Shutter



This damper has a flanged frame and is designed to fit the inside flanges of the optional wall housing or wall mounting collar. The frame and blades are constructed of galvanized steel and are rated to 3000 FPM with proper clearance as provided by all factory accessories. The damper body recesses into the opening for a flush appearance.

Standard Duty Aluminum Exhaust Gravity Shutter



This damper can greatly reduce the infiltration of outside air and although not completely watertight, will provide weather protection in an economical fashion. Constructed with a galvanized frame and aluminum blades this damper is rated to 2000 FPM with the proper clearance as provided by all factory accessories. The damper body is recessed into the opening for a flush appearance.

Heavy-Duty Galvanized Supply Motorized Shutter



The motorized option improves weather protection by providing a tighter closure seal and is recommended for all supply applications. Heavy-duty dampers are constructed with galvanized frames and blades and are rated to 3000 FPM. The damper body is not recessed providing extra clearance between the fan and damper blades.

Standard Duty Aluminum Supply Motorized Shutter



The motorized option improves weather protection by providing a tighter closure seal and is recommended for all supply applications. Standard duty dampers are constructed with galvanized frames and aluminum blades and are rated to 2000 FPM. The damper body is not recessed providing extra clearance between the fan and damper blades.

Center Pivot Motorized Damper - Supply or Exhaust



The flanged frame damper is designed to recess inside the flanges of the optional wall housing or wall mounting collar. The center pivot style damper provides superior weather resistance. Galvanized (optional aluminum) construction is rated to 3500 FPM with proper clearance as provided by all factory accessories.

Electric Damper Operators

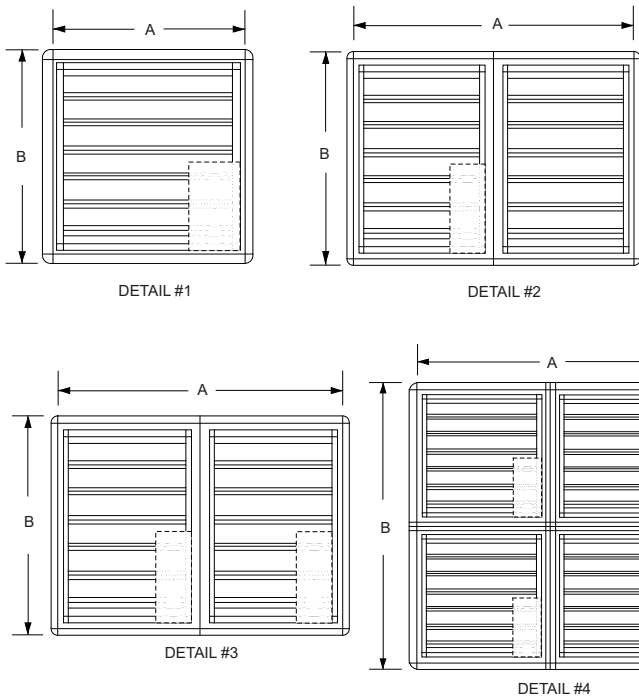
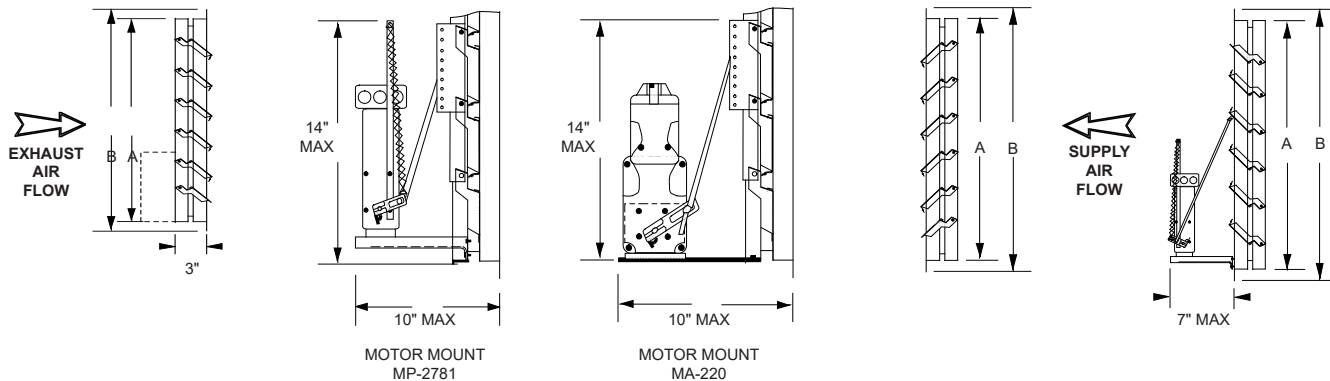
Electric damper operators provide more positive open and closed damper positions which helps increase weather resistance. Power open - spring close (POSC) motor and linkage kits are field installed (except for center pivot style) and are available in 24, 120/240, or 460 volts (single phase) and require approximately 0.5 amps at 120/1/60 power supply. Transformers are available for voltage reduction. For fan motors 5HP and larger, we recommend a factory tilt switch or "delay-on" timer in the control circuit (by others) to allow the damper to open prior to allowing fan operation, which will protect the damper blades and fan from damage when the fan is first energized.



ACCESSORIES & OPTIONS

FOR MOUNTING ARRANGEMENTS Cont.

Dimensions (Standard and Heavy-Duty Dampers)



| Fan Size | A Sq. Size | B Sq. OD Flange | Panels (Detail) | Motor Type | | | |
|----------|------------|-----------------|-----------------|------------|-----|-----------|-----|
| | | | | Exhaust | | Supply | |
| | | | | Type | Qty | Type | Qty |
| 20 | 20 | 22 1/2 | 1 | MP-2781 | 1 | MP-2781-S | 1 |
| 24 | 26 | 28 1/2 | 1 | MP-2781 | 1 | MP-2781-S | 1 |
| 30 | 32 | 34 1/2 | 1 | MP-2781 | 1 | MA-220-S | 1 |
| 36 | 38 | 40 1/2 | 1 | MA-220 | 1 | MA-220-S | 1 |
| 42 | 44 | 46 1/2 | 2 | MA-220 | 1 | MA-220-S | 2 |
| 48 | 50 | 52 1/2 | 2 | MA-220 | 1 | MA-220-S | 2 |
| 54 | 56 | 58 1/2 | 3 | MA-220 | 2 | MA-220-S | 2 |
| 60 | 62 | 64 1/2 | 3 | MA-220 | 2 | MA-220-S | 2 |
| 72 | 77 | 79 1/2 | 4 | MA-220 | 4 | MA-220-S | 4 |

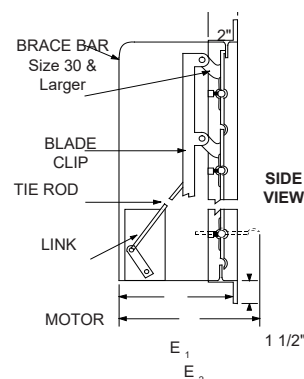
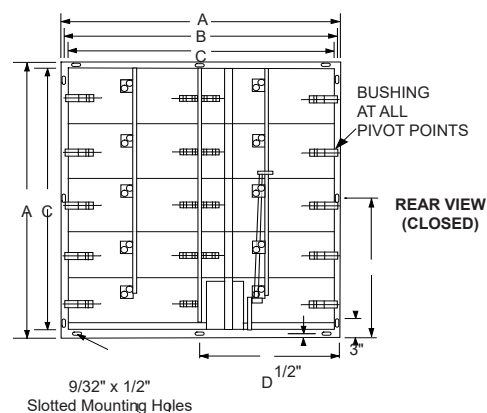
Heavy Duty Dampers required on all units with 7 1/2HP motors and above.

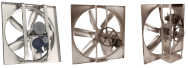
Dimensions (Center Pivot Motorized Damper)

| Fan Size | Opening Required | A O.D. | B (1) | C "Size" | D (Center of Holes) | # of Panels | G | |
|----------|------------------|--------|--------|----------|---------------------|-------------|--------------|------------|
| | | | | | | | Closed (E-1) | Open (E-2) |
| 24 | 27 | 29 | 24-1/2 | 26 | - | 1 x 1 | 7-1/4 | 8-1/2 |
| 30 | 33 | 35 | 30-1/2 | 32 | - | 1 x 1 | 10-1/4 | 13-3/4 |
| 36 | 39 | 41 | 36-1/2 | 38 | 19-1/2 | 1 x 1 | 10-1/4 | 13-3/4 |
| 42 | 45 | 47 | 42-1/2 | 44 | 22-1/2 | 1 x 1 | 10-1/4 | 13-3/4 |
| 48 | 51 | 53 | 48-1/2 | 50 | 25-1/2 | 2 x 1 | 10-1/4 | 13-3/4 |
| 54 | 57 | 59 | 54-1/2 | 56 | 28-1/2 | 2 x 1 | 10-1/4 | 12-3/4 |
| 60 | 63 | 65 | 60-1/2 | 62 | 31-1/2 | 2 x 1 | 10-1/4 | 12-3/4 |
| 72 | 77 | 79 | 76-1/2 | 76 | 39-1/2 | 2 x 1 | 10-1/4 | 12-3/4 |

| Fan Size | Motor (2) | | |
|----------|------------------|----------|------------------------|
| | Power Supply | Max Amps | Stall Torque (in. lbs) |
| 24-48 | 120-240V 60Hz | 0.3/0.6 | 25 |
| 54-60 | 240V 60Hz | 0.5 | 60 |

(1) Minimum opening to clear pins.
(2) Motor is 60 Hz, single phase continuous duty with 104°F (40°C), maximum ambient temperature





ACCESSORIES & OPTIONS

Electrical Accessories are available to simplify the installation and reduce the total project cost.

Disconnect Switches can be shipped loose or factory mounted and wired (except explosion proof and two speed) in NEMA 1, 3R, 4X, or other enclosures. Two-speed and explosion proof disconnects are available but may be subject to more stringent code requirements. It is the responsibility of the buyer and the installer to comply with all local and national codes.

Aluminum Construction is available for most models and typically includes propeller blades, fan panel, motor and drive support (large frame motors may have steel reinforcement) and accessories. When an explosion proof motor is specified, aluminum fan construction must be used for additional spark resistance.

cULus705 or UL705 Listing is available for sidewall propeller fans with most motors and should be specified for electrical safety and reliability.

Extended Lube Lines provide convenient access for routine bearing lubrication. Lubrication lines are installed from the fan shaft bearings to the exterior of the wall housing or sheet metal motorside guard and are provided with zerk fittings.

Paints and Coatings for protective and decorative purposes. Available coatings include: Epoxy, Synthetic Resin, and Heresite (air-dried phenolic). Contact your Soler & Palau representative or the factory for more information on available coatings and colors.

Mounting Angles facilitate the installation and a secure attachment of the wall housing or wall collar into the framed wall opening. Galvanized or aluminum angles are available and are pre-cut to the proper length. Additional bracing, mounting hardware, flashing and caulking are typically provided by the installer.

Factory Wiring can simplify jobsite installation and reduce the overall project cost. Optional services include wiring of motor, disconnect switch, damper actuator, and other custom controls. Please note that some wiring options may not be available in conjunction with the cULus705 and UL705 listing option (for example explosion proof, two speed and special motors).



MODEL LC - CONSTRUCTION LEVEL 1

Application

Model LCE (exhaust) and LCS (supply) are high capacity belt driven propeller fans rated from 3,000 to 40,000 cfm to .625" w.g. static pressure. Their primary application is the exhaust or supply of large volumes of air at relatively low static pressures from commercial, light industrial and agricultural buildings such as manufacturing and assembly plants, warehouses, parking garages, gymnasiums, equipment rooms, distribution centers, poultry and greenhouses.

Wall mounting provides an easy, economical installation. Belt driven fans provide large volumes of air at low fan speeds and low noise levels and afford quick, easy performance adjustments. All necessary accessories are available to meet any need or specification.

When suspended from the ceiling, thus keeping floor spaces open, model LC can be installed to direct large volumes of air downward toward work centers improving employee comfort and productivity.

When mounted in portable housings with OSHA guards, Model LC-P can be used as a mancooler and rolled to hot spots to provide needed employee relief from heat or fumes and help increase productivity.

Construction/Specification Checklist

Belt Drive, Wall Exhaust (or Supply) Propeller Fan shall be provided as follows:

CERTIFICATIONS: Fans shall be AMCA Licensed for air and sound performance. Fans shall be UL and CUL 705 listed for electrical safety and reliability (Optional).

PANEL ASSEMBLY: Panels shall be heavy-gauge G90 galvanized (optional aluminum) with spun one piece venturi. Motor and bearing plate shall be a minimum of 12 gauge galvanized steel except size 20. Panel end support frame assembly shall be of welded, construction with prepunched mounting holes for easy installation.

PROPELLER: Blades shall be die formed galvanized G90 steel of minimum 16 gauge. Blades shall be bolted to an epoxy coated hub which is keyed to the fan shaft. Propeller assembly shall be statically balanced.

DRIVES: All sheaves shall be sized to a minimum 150% of driven horsepower, machined cast iron adjustable pitch through 3 horsepower, keyed to both the motor and fan shaft. Fan shaft shall be precision turned, ground and polished steel. Belts shall be nonstatic oil and heat resistant V-belts.

BEARINGS: All bearings shall be self-aligning cast iron pillow block type with relube fitting and of the air handling design. Bearing design shall be for a minimum of L-50 200,000 hour average life.

MOTORS: Permanently sealed ball bearing type furnished to the specified voltage, phase and enclosure. All motors shall be mounted and factory run tested.



Standard 705
(Optional)

| Fan Size | Material (Ga. or inches) | | | | | Shaft Diameter (in.) | Max Motor Frame Size | Avg. Weight (lbs.) |
|----------|--------------------------|-------------|--------------------------|--------------|-------------|----------------------|----------------------|--------------------|
| | Fan Panel | Drive Frame | Motor & Bearing Supports | Propeller | | | | |
| | | | | Spider Steel | Blade Steel | | | |
| 20 | 18 | 16 | 16 | 14 | 18 | 3/4 | 56H | 85 |
| 24 | 16 | 12 | 12 | 10 | 16 | 1 | 145T | 90 |
| 30 | 16 | 12 | 12 | 10 | 16 | 1 | 145T | 100 |
| 36 | 16 | 12 | 12 | 7 | 16 | 1 | 145T | 105 |
| 42 | 16 | 12 | 12 | 7 | 14 | 1 | 145T | 110 |
| 48 | 16 | 12 | 12 | 7 | 14 | 1 | 145T | 125 |
| 54 | 14 | 12 | 12 | 1/4 | 12 | 1 3/16 | 182T | 240 |
| 60 | 14 | 12 | 12 | 1/4 | 12 | 1 3/16 | 182T | 285 |

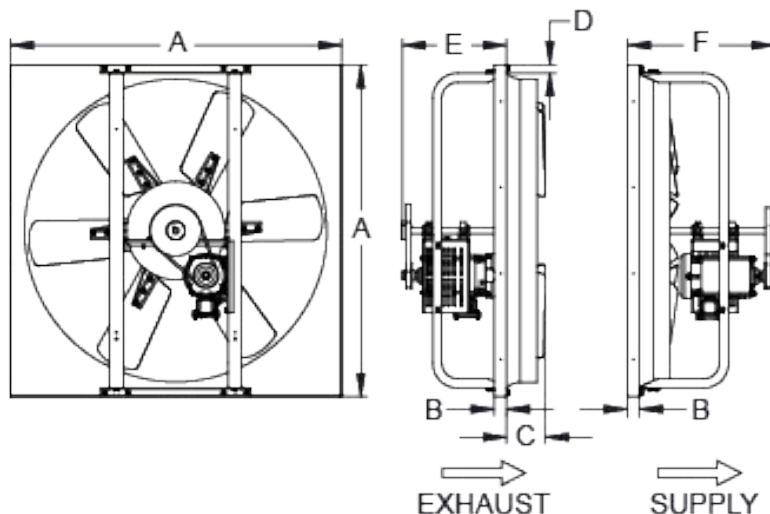
Motor Service Factor

Motor service factors are utilized in some performance selections shown. This is a safe and common industry practice that provides more performance for the investment. BHP is shown at the maximum catalog performance point. BHP at all other static pressures listed is less than that shown, in most cases substantially less. Because the motors are in the air stream there are no negative effects on motor life. 2 speed motor applications are recommended at or below their nominal BHP levels. If desired, pick the next higher horsepower to eliminate this service factor usage. Refer to the Optimizer Fan Selection Program for actual BHP at any performance point.

DIMENSIONS

| Fan Size | A Sq | B | C | D | E | F | Damper O.D. Sq Flange |
|----------|------|---|-------|-------|--------|----|-----------------------|
| 20 | 24 | 2 | 5 | 1-1/4 | 18-3/4 | 23 | 22-1/2 |
| 24 | 30 | 2 | 7-1/2 | 1-1/4 | 22-3/4 | 23 | 28-1/2 |
| 30 | 36 | 2 | 7-1/2 | 1-1/4 | 22-3/4 | 24 | 34-1/2 |
| 36 | 42 | 2 | 7-1/2 | 1-1/4 | 23 | 24 | 40-1/2 |
| 42 | 48 | 2 | 7-1/2 | 1-1/4 | 23 | 24 | 46-1/2 |
| 48 | 54 | 2 | 7-1/2 | 1-1/4 | 23 | 24 | 52-1/2 |
| 54 | 60 | 2 | 7-1/2 | 1-1/4 | 25 | 26 | 58-1/2 |
| 60 | 66 | 2 | 7-1/2 | 1-1/4 | 25 | 26 | 64-1/2 |

Dimensions shown in inches.



2 year fan housing warranty, 1 year motor warranty



MODEL L2 - CONSTRUCTION LEVEL 2

Application

Models L2E (exhaust) and L2S (supply) are high capacity wall mounted belt driven propeller fans rated from 5000 to 47,000 CFM and to .75" w.g. static pressure. Their primary application is the exhaust of large volumes of ventilation air from commercial and light industrial buildings such as manufacturing and assembly plants, warehouses, parking garages, gymnasiums, equipment rooms, distribution centers and OEM applications.

Wall mounting provides an easy and economical installation. All necessary accessories are available. Belt driven fans provide large volumes of air at low fan speed and low noise levels and afford quick, easy performance adjustments.

See Model L - Construction level 3 for higher static pressures and heavier construction designs or models LC for your lighter duty ventilation requirements.

Construction/Specification Checklist

Belt Drive, Wall Exhaust (or Supply) Propeller Fan shall be provided as follows:

CERTIFICATIONS: Fans shall be AMCA Licensed for air and sound performance. Fans shall be UL and cUL 705 listed for electrical safety and reliability (Optional).

PANEL ASSEMBLY: Panels shall be heavy-gauge G90 galvanized

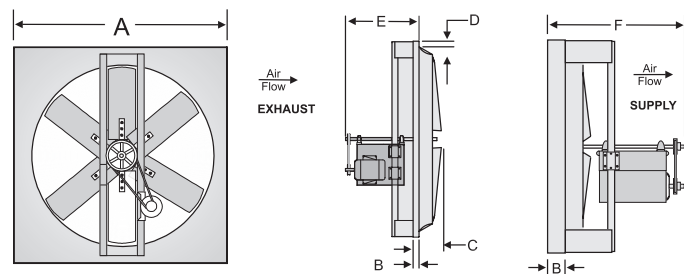
| Fan Size | Material (Ga. or inches th.) | | | | | | | | Max Shaft Diameter (in.) | Max Motor Frame Size | Avg. Weight (lbs.) |
|----------|------------------------------|-------------|--------------------------|------|-----------|-------|------|--------|--------------------------|----------------------|--------------------|
| | Fan Panel | Drive Frame | Motor & Bearing Supports | | Propeller | | | | | | |
| | | | Galv | Alum | Spider | Blade | | | | | |
| | | | | | Steel | Steel | Alum | | | | |
| 24 | 18 | 10 | 10 | 1/4 | 1/4 | 16 | .080 | 1 | 182T | 180 | |
| 30 | 16 | 10 | 10 | 1/4 | 1/4 | 16 | .080 | 1 | 182T | 180 | |
| 36 | 16 | 10 | 10 | 1/4 | 1/4 | 16 | .080 | 1 3/16 | 184T | 215 | |
| 42 | 16 | 10 | 10 | 1/4 | 3/8 | 16 | .080 | 1 3/16 | 184T | 235 | |
| 48 | 16 | 10 | 10 | 1/4 | 3/8 | 16 | .080 | 1 3/16 | 184T | 300 | |
| 54 | 14 | 10 | 10 | 1/4 | 3/8 | 16 | .080 | 1 3/16 | 184T | 400 | |
| 60 | 14 | 10 | 10 | 1/4 | 3/8 | 16 | .080 | 1 3/16 | 184T | 490 | |



DIMENSIONS

| Fan Size | A Sq | B | C | D | E | F | Damper O.D. Sq Flange |
|----------|------|---|-------|-------|----|----|-----------------------|
| 24 | 30 | 2 | 7 1/2 | 1 1/4 | 22 | 26 | 28 1/2 |
| 30 | 36 | 2 | 7 1/2 | 1 1/4 | 22 | 26 | 34 1/2 |
| 36 | 42 | 2 | 7 1/2 | 1 1/4 | 22 | 26 | 40 1/2 |
| 42 | 48 | 2 | 7 1/2 | 1 1/4 | 22 | 26 | 46 1/2 |
| 48 | 54 | 2 | 7 1/2 | 1 1/4 | 22 | 26 | 52 1/2 |
| 54 | 60 | 2 | 7 1/2 | 1 1/4 | 22 | 26 | 58 1/2 |
| 60 | 66 | 2 | 7 1/2 | 1 1/4 | 24 | 28 | 64 1/2 |

Dimensions shown in inches.



(optional aluminum) with spun one piece venturi. Motor and bearing plate shall be a minimum of 10 gauge G90 galvanized steel. Panel end support frame assembly shall be of welded, not bolted, construction with pre-punched mounting holes for easy installation.

PROPELLER: Propellers shall be six-bladed, die-formed, minimum 16 gauge, G90 galvanized steel bolted to a welded, structural steel hub plate and keyed to the fan shaft. Blades shall incorporate multiple laminations for 3 horsepower motors and larger. Propeller assembly shall be statically balanced.

DRIVES: All sheaves shall be sized to a minimum 150% of driven horsepower, machined cast iron adjustable pitch (through 3HP), keyed to both the motor and fan shaft. Fan shaft shall be precision turned, ground and polished steel. Belts shall be nonstatic oil and heat resistant V-belts.

BEARINGS: All bearings shall be self-aligning cast iron pillow block type with relube fitting and of the air handling design. Bearing design shall be for a minimum of L-50 200,000 hour average life.

MOTORS: Permanently sealed ball bearing type furnished to the specified voltage, phase and enclosure. All motors shall be mounted and factory run tested.

Motor Service Factor

Motor service factors are utilized in some performance selections shown. This is a safe and common industry practice that provides more performance for the investment. BHP is shown at the maximum catalog performance point. BHP at all other static pressures listed is less than that shown, in most cases substantially less. Because the motors are in the air stream there are no negative effects on motor life. Explosion proof and 2 speed motor applications are recommended at or below their nominal BHP levels. If desired, pick the next higher horsepower to eliminate this service factor usage. Refer to the Optimizer Fan Selection Program for actual BHP at any performance point.

2 year fan housing warranty, 1 year motor warranty



MODEL L3 - CONSTRUCTION LEVEL 3

Application

Models L3E (exhaust) and L3S (supply) are high capacity wall mounted belt driven propeller fans rated from 35,000 to 85,000 and to 1.0" w.g. static pressure. Their primary application is the exhaust of large volumes of air at relatively moderate static pressure from commercial, industrial and agricultural buildings such as manufacturing and assembly plants, warehouses, foundries, mills, boiler rooms and equipment rooms.

Wall mounting provides an easy and economical installation. Belt driven fans provide large volumes of air at low fan speed and low noise levels and afford quick, easy performance adjustments. All required accessories are available with Model L.

See Models LC and L - level 2 construction, for lower static pressures and lighter duty requirements which are generally more economical.

Construction/Specification Checklist

Belt Drive, Wall Exhaust (or Supply) Propeller Fan shall be provided as follows:

CERTIFICATIONS: Fans shall be AMCA Licensed for air and sound performance. Fans shall be UL and CUL 705 listed for electrical safety and reliability (optional).

PANEL ASSEMBLY: Panels shall be heavy-gauge G-90 galvanized (optional aluminum) with spun one piece venturi. Motor and bearing plate shall be a minimum of 10 gauge G90 galvanized steel structurally secured to minimum 1.25 inch schedule 40 galvanized steel pipe by means of 12 gauge galvanized steel pipe brackets. Panel end support frame assembly shall be of welded, not bolted, construction with pre-punched mounting holes for easy installation.

PROPELLER: Propellers shall be six-bladed, die-formed, minimum 16 gauge, G90 galvanized steel with double 16 gauge laminations bolted to a welded, structural steel hub plate and keyed to the fan shaft. Fan shaft shall be precision turned, ground and polished steel. Props shall be statically balanced.

DRIVES: All sheaves shall be sized to a minimum 150% of drive horsepower, machined cast iron adjustable pitch through 3 horsepower, keyed to both the motor and fan shaft. Fan shaft shall be precision turned, ground and polished steel. Belts shall be non-static oil and heat resistant V-belts.

BEARINGS: All bearing shall be self-aligning cast iron pillow block type with relube fitting and of the air handling style. Bearing design shall be for a minimum of L-50 200,000 hour average life.

MOTORS: Permanently sealed ball bearing type furnished to the specified voltage, phase and enclosure. All motors shall be mounted and factory run tested.

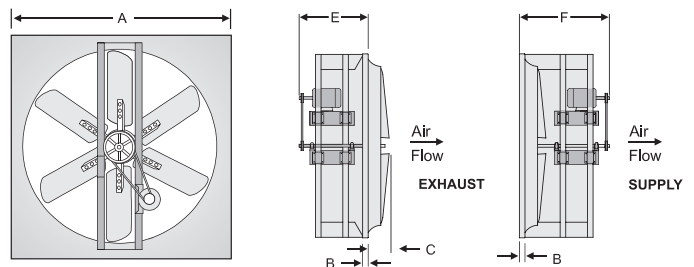
| Fan Size | Material (Ga. or inches th.) | | | | | | Max Shaft Diameter (in.) | Max Motor Frame Size | Avg. Weight (lbs.) |
|----------|------------------------------|-------------|--------------------------|-----------|-------|-------|--------------------------|----------------------|--------------------|
| | Fan Panel | Drive Frame | Motor & Bearing Supports | Propeller | | | | | |
| | | | | Spider | Blade | | | | |
| | | | | Steel | Alum | | | | |
| 42 | 16 | 10 | 10 | 3/8 | 16 | 0.080 | 1 7/16 | 213T | 260 |
| 48 | 16 | 10 | 10 | 3/8 | 16 | 0.080 | 1 7/16 | 215T | 330 |
| 54 | 14 | 10 | 10 | 3/8 | 16 | 0.080 | 2 3/16 | 256T | 500 |
| 60 | 14 | 10 | 10 | 3/8 | 16 | 0.080 | 2 3/16 | 256T | 530 |
| 72 | 12 | 10 | 10 | 3/8 | 16 | 0.080 | 2 3/16 | 256T | 600 |



DIMENSIONS

| Fan Size | A Sq | B | C | D | E | F | Damper O.D. Sq Flange |
|----------|------|---|-------|-------|----|----|-----------------------|
| 42 | 48 | 2 | 7 1/2 | 1 1/4 | 24 | 28 | 46 1/2 |
| 48 | 54 | 2 | 7 1/2 | 1 1/4 | 24 | 28 | 52 1/2 |
| 54 | 60 | 2 | 7 1/2 | 1 1/4 | 24 | 28 | 58 1/2 |
| 60 | 66 | 2 | 7 1/2 | 1 1/4 | 24 | 28 | 64 1/2 |
| 72 | 80 | 2 | 8 | 1 1/4 | 24 | 28 | 78 1/2 |

Dimensions shown in inches.



Motor Service Factor

Motor service factors are utilized in some performance selections shown. This is a safe and common industry practice that provides more performance for the investment. BHP is shown at the maximum catalog performance point. BHP at all other static pressures listed is less than that shown, in most cases substantially less. Because the motors are in the air stream there are no negative effects on motor life. Explosion proof and 2 speed motor applications are recommended at or below their nominal BHP levels. If desired, pick the next higher horsepower to eliminate this service factor usage. Refer to the Optimizer Fan Selection Program for actual BHP at any performance point.

2 year fan housing warranty, 1 year motor warranty



PERFORMANCE

Model LC Size 20

| Limits | | | Panel OD Square | Min. Wall Opening | Damper OD | Approx. Wt |
|--------|------|-------------|--------------------|----------------------|--------------|---------------|
| Model | RPM | Motor Frame | | | | |
| LC | 1350 | 56H | 24 | 25 1/2 | 22 1/2 | 85 |

| | Size | Motor HP | Max BHP | Fan RPM | Sones (0.00" SP) | Static Pressure (Inches W.G) | | | | | | | | |
|----------------------|-------------|-------------|------------|------------|---------------------|------------------------------|------|------|------|------|------|------|------|------|
| | | | | | | .000 | .100 | .125 | .150 | .200 | .250 | .300 | .375 | .500 |
| Level 1 Construction | Model LC 20 | 1/4 | 0.25 | 905 | 10.5 | 3774 | 3364 | 3247 | 3113 | - | - | - | - | - |
| | | | 0.27 | 920 | 10.8 | 3837 | 3435 | 3321 | 3193 | 2829 | - | - | - | - |
| | | | 0.28 | 930 | 11.0 | 3879 | 3482 | 3370 | 3246 | 2900 | - | - | - | - |
| | | | 0.29 | 945 | 11.3 | 3941 | 3553 | 3442 | 3324 | 3002 | - | - | - | - |
| | | | 0.30 | 955 | 11.5 | 3983 | 3600 | 3491 | 3375 | 3067 | - | - | - | - |
| | | 1/3 | 0.33 | 990 | 12.2 | 4129 | 3762 | 3658 | 3550 | 3283 | - | - | - | - |
| | | | 0.34 | 1000 | 12.5 | 4171 | 3809 | 3706 | 3599 | 3341 | - | - | - | - |
| | | | 0.36 | 1015 | 12.8 | 4233 | 3878 | 3776 | 3673 | 3428 | - | - | - | - |
| | | | 0.38 | 1030 | 13.1 | 4296 | 3947 | 3847 | 3746 | 3512 | 3173 | - | - | - |
| | | | 0.40 | 1050 | 13.5 | 4379 | 4038 | 3941 | 3842 | 3621 | 3312 | - | - | - |
| | 1/2 | 0.47 | 1110 | 14.8 | 4629 | 4311 | 4221 | 4128 | 3933 | 3689 | - | - | - | |
| | | 0.50 | 1125 | 15.1 | 4692 | 4378 | 4291 | 4199 | 4009 | 3776 | 3452 | - | - | |
| | | 0.55 | 1145 | 15.5 | 4775 | 4468 | 4383 | 4293 | 4108 | 3890 | 3593 | 2783 | - | |
| | | 0.57 | 1160 | 15.9 | 4838 | 4536 | 4451 | 4364 | 4182 | 3973 | 3694 | 2959 | - | |
| | | 0.60 | 1180 | 16.4 | 4921 | 4625 | 4543 | 4457 | 4280 | 4081 | 3822 | 3182 | - | |
| | 3/4 | 0.70 | 1260 | 18.3 | 5255 | 4981 | 4905 | 4827 | 4664 | 4493 | 4293 | 3875 | - | |
| | | 0.75 | 1295 | 19.1 | 5401 | 5135 | 5062 | 4987 | 4829 | 4666 | 4484 | 4117 | - | |
| | | 0.79 | 1320 | 19.7 | 5505 | 5245 | 5174 | 5101 | 4947 | 4788 | 4616 | 4278 | - | |
| | | 0.82 | 1335 | 20 | 5568 | 5311 | 5241 | 5169 | 5018 | 4861 | 4693 | 4371 | - | |
| | | 0.90 | 1350 | 20 | 5630 | 5377 | 5308 | 5237 | 5088 | 4934 | 4770 | 4462 | 3538 | |

Performance ratings do not include the effects of appurtenances (accessories).

Power ratings (BHP) do not include transmission losses.

Performance certified is for installation type A-free inlet, free outlet.

The sound ratings shown are loudness values in fan sones @ 5' (1.5m) in a hemispherical free field calculated per AMCA Standard 301. Values shown are for installation Type A-Free inlet fan sone levels.

Due to air stream cooling, the motor loading into the service factor shown does not overheat the motor and is within NEMA recommended limits. BHP at most static pressure points is less than the maximum power shown - in many cases substantially less. Use Optimizer to see the exact BHP for your selection.



S&P USA Ventilation Systems, LLC., Div. of Soler & Palau Ventilation Group, certifies that the models shown herein are licensed to bear the AMCA Seal. The ratings shown are based on test and procedures performed in accordance with AMCA Publication 211 and AMCA Publication 311 and comply with the requirement of the AMCA Certified Ratings Program.



Standard 705
(Optional)



Model LC and Model L2

Size 24



S&P USA Ventilation Systems, LLC., Div. of Soler & Palau Ventilation Group, certifies that the models shown herein are licensed to bear the AMCA Seal. The ratings shown are based on test and procedures performed in accordance with AMCA Publication 211 and AMCA Publication 311 and comply with the requirement of the AMCA Certified Ratings Program.



| Limits | | | Panel OD Square | Min. Wall Opening | Damper OD | Approx. Wt. |
|--------|------|-------------|-----------------|-------------------|-----------|-------------|
| Model | RPM | Motor Frame | | | | |
| LC | 1100 | 145T | 30 | 31 1/2 | 28 1/2 | 90 |
| L2 | 1145 | 145T | 30 | 31 1/2 | 28 1/2 | 120 |

| Size | Motor HP | Max BHP | Fan RPM | Sones (0.00" SP) | Static Pressure (Inches W.G) | | | | | | | | | | |
|----------------------|-------------|---------|---------|------------------|------------------------------|-------|-------|-------|-------|------|------|------|------|------|---|
| | | | | | .000 | .100 | .125 | .150 | .200 | .250 | .300 | .375 | .500 | .625 | |
| Level 1 Construction | Model LC 24 | 1/4 | 0.25 | 555 | 9.0 | 4931 | 4168 | 3905 | 3574 | 2256 | - | - | - | - | - |
| | | | 0.27 | 570 | 9.4 | 5065 | 4332 | 4085 | 3787 | 2460 | - | - | - | - | - |
| | | | 0.30 | 600 | 10.2 | 5331 | 4652 | 4431 | 4180 | 3501 | 2269 | - | - | - | - |
| | | 1/3 | 0.33 | 625 | 10.9 | 5553 | 4912 | 4709 | 4482 | 3891 | - | - | - | - | - |
| | | | 0.36 | 645 | 11.6 | 5731 | 5117 | 4926 | 4715 | 4187 | - | - | - | - | - |
| | | | 0.41 | 660 | 12.1 | 5864 | 5268 | 5086 | 4885 | 4398 | 3702 | - | - | - | - |
| | | 1/2 | 0.50 | 715 | 14.0 | 6353 | 5815 | 5658 | 5487 | 5097 | 4592 | - | - | - | - |
| | | | 0.54 | 735 | 14.7 | 6531 | 6011 | 5861 | 5699 | 5332 | 4877 | - | - | - | - |
| | | | 0.58 | 750 | 15.3 | 6664 | 6157 | 6012 | 5856 | 5504 | 5081 | 4535 | - | - | - |
| | | | 0.60 | 760 | 15.7 | 6753 | 6254 | 6112 | 5959 | 5617 | 5212 | 4686 | - | - | - |
| | 3/4 | 0.75 | 820 | 17.9 | 7286 | 6831 | 6704 | 6570 | 6276 | 5941 | 5577 | - | - | - | |
| | | 0.80 | 840 | 18.6 | 7464 | 7021 | 6898 | 6770 | 6489 | 6170 | 5804 | - | - | - | |
| | | 0.85 | 855 | 19.1 | 7597 | 7163 | 7044 | 6918 | 6646 | 6340 | 5991 | 5316 | - | - | |
| | | 0.90 | 875 | 19.8 | 7775 | 7352 | 7237 | 7116 | 6855 | 6562 | 6234 | 5600 | - | - | |
| | 1 | 1.00 | 905 | 21 | 8041 | 7635 | 7524 | 7409 | 7163 | 6890 | 6586 | 6040 | - | - | |
| | | 1.10 | 935 | 22 | 8308 | 7916 | 7810 | 7700 | 7467 | 7211 | 6927 | 6437 | - | - | |
| | | 1.20 | 950 | 22 | 8441 | 8057 | 7953 | 7845 | 7618 | 7369 | 7094 | 6625 | 5559 | - | |
| | 1 1/2 | 1.50 | 1035 | 25 | 9196 | 8847 | 8754 | 8658 | 8458 | 8244 | 8013 | 7628 | 6836 | - | |
| | | 1.65 | 1070 | 27 | 9507 | 9170 | 9081 | 8989 | 8798 | 8595 | 8378 | 8019 | 7308 | - | |
| | | 1.82 | 1100 | 28 | 9774 | 9447 | 9361 | 9272 | 9088 | 8894 | 8687 | 8347 | 7688 | 6808 | |
| Level 2 Construction | Model L2 24 | 1/4 | 0.25 | 540 | 9.9 | 5317 | 4075 | 3362 | 2733 | - | - | - | - | - | |
| | | | 0.27 | 555 | 10.9 | 5464 | 4290 | 3707 | 2948 | - | - | - | - | - | |
| | | | 0.30 | 575 | 12.2 | 5661 | 4559 | 4098 | 3307 | - | - | - | - | - | |
| | | 1/3 | 0.33 | 590 | 13.2 | 5809 | 4753 | 4346 | 3647 | - | - | - | - | - | |
| | | | 0.36 | 605 | 14.3 | 5957 | 4943 | 4574 | 3995 | 2908 | - | - | - | - | |
| | | | 0.40 | 630 | 16.3 | 6203 | 5255 | 4926 | 4491 | 3247 | - | - | - | - | |
| | | 1/2 | 0.50 | 670 | 17.9 | 6597 | 5740 | 5446 | 5116 | 3951 | 3168 | - | - | - | |
| | | | 0.57 | 685 | 18.5 | 6744 | 5917 | 5634 | 5326 | 4299 | 3364 | 2859 | - | - | |
| | | | 0.60 | 700 | 19.0 | 6892 | 6090 | 5822 | 5528 | 4645 | 3568 | 3043 | - | - | |
| | | 3/4 | 0.75 | 740 | 21 | 7286 | 6543 | 6310 | 6042 | 5396 | 4220 | 3549 | 2883 | - | - |
| | 0.80 | | 765 | 22 | 7532 | 6816 | 6605 | 6354 | 5782 | 4786 | 3882 | 3186 | - | - | |
| | 0.86 | | 795 | 23 | 7827 | 7138 | 6951 | 6724 | 6205 | 5455 | 4325 | 3555 | - | - | |
| | 0.90 | | 815 | 24 | 8024 | 7350 | 7177 | 6964 | 6471 | 5827 | 4716 | 3807 | - | - | |
| | 1 | 1.00 | 855 | 26 | 8418 | 7772 | 7618 | 7432 | 6983 | 6460 | 5636 | 4337 | - | - | |
| | | 1.05 | 870 | 27 | 8566 | 7930 | 7779 | 7604 | 7170 | 6677 | 5958 | 4551 | - | - | |
| | | 1.11 | 890 | 28 | 8763 | 8139 | 7933 | 7831 | 7420 | 6953 | 6335 | 4853 | - | - | |
| | | 1.20 | 910 | 29 | 8960 | 8347 | 8205 | 8055 | 7667 | 7220 | 6668 | 5246 | - | - | |
| | 1 1/2 | 1.50 | 975 | 33 | 9600 | 9021 | 8890 | 8756 | 8440 | 8045 | 7618 | 6707 | 4842 | - | |
| | | 1.66 | 1015 | 35 | 9994 | 9434 | 9308 | 9180 | 8899 | 8542 | 8145 | 7416 | 5409 | - | |
| | | 1.80 | 1045 | 38 | 10289 | 9742 | 9620 | 9496 | 9236 | 8905 | 8526 | 7880 | 5900 | - | |
| 2 | 2.00 | 1075 | 41 | 10584 | 10050 | 9930 | 9811 | 9566 | 9260 | 8900 | 8300 | 6600 | - | | |
| | 2.20 | 1115 | 46 | 10978 | 10459 | 10343 | 10229 | 9995 | 9724 | 9396 | 8848 | 7521 | 5700 | | |
| | 2.37 | 1145 | 51 | 11273 | 10766 | 10652 | 10540 | 10315 | 10065 | 9758 | 9237 | 8108 | 6204 | | |

Performance ratings do not include the effects of appurtenances (accessories).

Power ratings (BHP) do not include transmission losses.

Performance certified is for installation type A-free inlet, free outlet.

The sound ratings shown are loudness values in fan sones @ 5' (1.5m) in a hemispherical free field calculated per AMCA Standard 301. Values shown are for installation Type A-Free inlet fan sone levels.

Due to air stream cooling, the motor loading into the service factor shown does not overheat the motor and is within NEMA recommended limits. BHP at most static pressure points is less than the maximum power shown - in many cases substantially less. Use Optimizer to see the exact BHP for your selection.



Model LC and Model L2

Size 30

| Model | Limits | | Panel OD Square | Min. Wall Opening | Damper OD | Approx. Wt |
|-------|--------|-------------|-----------------|-------------------|-----------|------------|
| | RPM | Motor Frame | | | | |
| LC | 815 | 145T | 36 | 37 1/2 | 34 1/2 | 100 |
| L2 | 1070 | 182T | 36 | 37 1/2 | 34 1/2 | 180 |



S&P USA Ventilation Systems, LLC., Div. of Soler & Palau Ventilation Group, certifies that the models shown herein are licensed to bear the AMCA Seal. The ratings shown are based on test and procedures performed in accordance with AMCA Publication 211 and AMCA Publication 311 and comply with the requirement of the AMCA Certified Ratings Program.



| Size | Motor HP | Max BHP | Fan RPM | Sones (0.00" SP) | Static Pressure (Inches W.G) | | | | | | | | | |
|----------------------|-------------|---------|---------|------------------|------------------------------|-------|-------|-------|-------|-------|-------|-------|-------|---|
| | | | | | .000 | .100 | .125 | .150 | .200 | .250 | .300 | .375 | .500 | |
| Level 1 Construction | Model LC 30 | 1/4 | 0.25 | 425 | 8.3 | 6956 | 5509 | 4962 | 4215 | - | - | - | - | - |
| | | | 0.27 | 435 | 8.6 | 7119 | 5735 | 5212 | 4608 | - | - | - | - | - |
| | | | 0.30 | 450 | 9.0 | 7365 | 6062 | 5572 | 5034 | - | - | - | - | - |
| | | 1/3 | 0.33 | 465 | 9.5 | 7610 | 6370 | 5922 | 5422 | - | - | - | - | - |
| | | | 0.36 | 480 | 9.9 | 7856 | 6665 | 6270 | 5794 | - | - | - | - | - |
| | | | 0.40 | 495 | 10.5 | 8101 | 6954 | 6603 | 6152 | 5073 | - | - | - | - |
| | 1/2 | 0.50 | 535 | 12.0 | 8756 | 7709 | 7419 | 7074 | 6211 | - | - | - | - | |
| | | 0.55 | 550 | 12.7 | 9001 | 7988 | 7709 | 7400 | 6586 | 5511 | - | - | - | |
| | | 0.59 | 565 | 13.3 | 9247 | 8271 | 7995 | 7712 | 6949 | 6052 | - | - | - | |
| | 3/4 | 0.75 | 610 | 15.3 | 9983 | 9117 | 8839 | 8589 | 7995 | 7242 | 6351 | - | - | |
| | | 0.82 | 630 | 16.2 | 10311 | 9487 | 9216 | 8968 | 8436 | 7728 | 6945 | - | - | |
| | | 0.90 | 650 | 17.1 | 10638 | 9853 | 9594 | 9343 | 8857 | 8198 | 7473 | - | - | |
| | 1 | 1.00 | 670 | 18.0 | 10965 | 10216 | 9969 | 9716 | 9253 | 8665 | 7978 | 6549 | - | |
| | | 1.11 | 695 | 19.3 | 11375 | 10665 | 10434 | 10188 | 9738 | 9228 | 8581 | 7501 | - | |
| | | 1.20 | 715 | 20 | 11702 | 11021 | 10802 | 10565 | 10120 | 9659 | 9098 | 8052 | - | |
| | 1 1/2 | 1.50 | 770 | 23 | 12602 | 11990 | 11798 | 11589 | 11151 | 10752 | 10298 | 9427 | - | |
| | | 1.63 | 790 | 23 | 12929 | 12339 | 12156 | 11956 | 11526 | 11135 | 10723 | 9899 | 8281 | |
| | | 1.78 | 815 | 24 | 13339 | 12773 | 12599 | 12411 | 12000 | 11609 | 11223 | 10482 | 9013 | |
| Level 2 Construction | Model L2 30 | 1/3 | 0.33 | 480 | 9.7 | 7675 | 6417 | 5879 | 5284 | - | - | - | - | |
| | | | 0.36 | 495 | 10.3 | 7915 | 6706 | 6243 | 5678 | - | - | - | - | |
| | | | 0.40 | 505 | 10.7 | 8075 | 6895 | 6481 | 5932 | 4378 | - | - | - | |
| | | 1/2 | 0.50 | 550 | 12.6 | 8794 | 7720 | 7432 | 7025 | 5986 | - | - | - | |
| | | | 0.56 | 570 | 13.6 | 9114 | 8078 | 7809 | 7479 | 6516 | - | - | - | |
| | | | 0.60 | 585 | 14.4 | 9354 | 8345 | 8087 | 7799 | 6896 | - | - | - | |
| | 3/4 | 0.75 | 630 | 17.6 | 10073 | 9146 | 8902 | 8659 | 7991 | 7096 | - | - | | |
| | | 0.83 | 650 | 18.4 | 10393 | 9499 | 9258 | 9026 | 8455 | 7609 | 6642 | - | | |
| | | 0.90 | 670 | 19.2 | 10713 | 9850 | 9614 | 9390 | 8890 | 8101 | 7200 | - | | |
| | 1 | 1.00 | 685 | 19.9 | 10953 | 10112 | 9882 | 9659 | 9194 | 8460 | 7638 | 5700 | - | |
| | | 1.10 | 710 | 21 | 11352 | 10546 | 10325 | 10106 | 9672 | 9068 | 8284 | 6802 | - | |
| | | 1.20 | 735 | 22 | 11752 | 10978 | 10766 | 10550 | 10137 | 9637 | 8900 | 7679 | - | |
| | 1 1/2 | 1.50 | 795 | 25 | 12711 | 12004 | 11812 | 11615 | 11226 | 10836 | 10331 | 9292 | - | |
| | | 1.65 | 820 | 26 | 13111 | 12428 | 12243 | 12054 | 11672 | 11302 | 10876 | 9908 | - | |
| | | 1.80 | 845 | 27 | 13511 | 12851 | 12673 | 12490 | 12116 | 11760 | 11378 | 10510 | - | |
| | 2 | 2.00 | 875 | 29 | 13991 | 13356 | 13185 | 13010 | 12651 | 12303 | 11948 | 11233 | 9600 | |
| | | 2.22 | 905 | 31 | 14470 | 13859 | 13696 | 13528 | 13183 | 12840 | 12504 | 11907 | 10399 | |
| | | 2.40 | 930 | 32 | 14870 | 14278 | 14119 | 13957 | 13623 | 13284 | 12961 | 12435 | 11029 | |
| 3 | 3.00 | 1005 | 37 | 16069 | 15525 | 15381 | 15234 | 14930 | 14618 | 14308 | 13855 | 12846 | | |
| | 3.30 | 1040 | 41 | 16629 | 16105 | 15967 | 15825 | 15534 | 15235 | 14930 | 14495 | 13600 | | |
| | 3.60 | 1070 | 44 | 17109 | 16601 | 16467 | 16330 | 16049 | 15761 | 15465 | 15038 | 14279 | | |

Performance ratings do not include the effects of appurtenances (accessories).

Power ratings (BHP) do not include transmission losses.

Performance certified is for installation type A-free inlet, free outlet.

The sound ratings shown are loudness values in fan sones @ 5' (1.5m) in a hemispherical free field calculated per AMCA Standard 301. Values shown are for installation Type A-Free inlet fan sone levels.

Due to air stream cooling, the motor loading into the service factor shown does not overheat the motor and is within NEMA recommended limits. BHP at most static pressure points is less than the maximum power shown - in many cases substantially less. Use Optimizer to see the exact BHP for your selection.



MODELS LCE/LCS, L2E/L2S, L3E/L3S
BELT DRIVE SIDEWALL PROPELLER FANS

Model LC and Model L2

Size 36



S&P USA Ventilation Systems, LLC., Div. of Soler & Palau Ventilation Group, certifies that the models shown herein are licensed to bear the AMCA Seal. The ratings shown are based on test and procedures performed in accordance with AMCA Publication 211 and AMCA Publication 311 and comply with the requirement of the AMCA Certified Ratings Program.

| Model | Limits | | Panel OD Square | Min. Wall Opening | Damper OD | Approx. Wt |
|-------|--------|-------------|-----------------|-------------------|-----------|------------|
| | RPM | Motor Frame | | | | |
| LC | 695 | 145T | 42 | 43 1/2 | 40 1/2 | 105 |
| L2 | 845 | 184T | 42 | 43 1/2 | 40 1/2 | 215 |



| Size | Motor HP | Max BHP | Fan RPM | Sones (0.00" SP) | Static Pressure (Inches W.G) | | | | | | | | | | | |
|-------------------------------------|----------|---------|---------|------------------|------------------------------|-------|-------|-------|-------|-------|-------|-------|-------|-------|-------|---|
| | | | | | .000 | .100 | .125 | .150 | .200 | .250 | .300 | .375 | .500 | .625 | .750 | |
| Level 1 Construction Model LC 36 | 1/3 | 0.33 | 360 | 8.5 | 9927 | 7580 | 6735 | 5537 | - | - | - | - | - | - | - | - |
| | | 0.35 | 370 | 8.9 | 10203 | 7973 | 7153 | 6222 | - | - | - | - | - | - | - | - |
| | | 0.41 | 390 | 9.7 | 10755 | 8745 | 7976 | 7190 | - | - | - | - | - | - | - | - |
| | 1/2 | 0.50 | 415 | 10.8 | 11444 | 9631 | 8967 | 8237 | 6333 | - | - | - | - | - | - | - |
| | | 0.55 | 430 | 11.5 | 11858 | 10126 | 9550 | 8849 | 7340 | - | - | - | - | - | - | - |
| | | 0.59 | 440 | 11.9 | 12133 | 10449 | 9923 | 9248 | 7840 | - | - | - | - | - | - | - |
| | 3/4 | 0.75 | 475 | 13.7 | 13098 | 11556 | 11133 | 10611 | 9337 | 7872 | - | - | - | - | - | - |
| | | 0.82 | 490 | 14.5 | 13512 | 12022 | 11620 | 11162 | 9954 | 8675 | - | - | - | - | - | - |
| | | 0.90 | 505 | 15.3 | 13926 | 12485 | 12100 | 11686 | 10557 | 9348 | 7384 | - | - | - | - | - |
| | 1 | 1.00 | 525 | 16.4 | 14477 | 13103 | 12731 | 12348 | 11345 | 10187 | 8897 | - | - | - | - | - |
| | | 1.09 | 540 | 17.3 | 14891 | 13562 | 13199 | 12834 | 11930 | 10809 | 9653 | - | - | - | - | - |
| | | 1.19 | 555 | 18.1 | 15305 | 14018 | 13663 | 13312 | 12495 | 11419 | 10317 | - | - | - | - | - |
| | 1 1/2 | 1.50 | 600 | 20 | 16545 | 15373 | 15048 | 14720 | 14055 | 13195 | 12186 | 10619 | - | - | - | - |
| | | 1.58 | 610 | 21 | 16821 | 15671 | 15353 | 15029 | 14381 | 13577 | 12590 | 11076 | - | - | - | - |
| | | 1.79 | 635 | 22 | 17511 | 16413 | 16111 | 15801 | 15186 | 14497 | 13578 | 12146 | - | - | - | - |
| | 2 | 2.00 | 655 | 23 | 18062 | 17003 | 16713 | 16415 | 15819 | 15189 | 14366 | 12975 | 9909 | - | - | - |
| | | 2.22 | 680 | 24 | 18751 | 17737 | 17461 | 17177 | 16600 | 16014 | 15313 | 13996 | 11612 | - | - | - |
| | | 2.37 | 695 | 25 | 19165 | 18176 | 17907 | 17631 | 17065 | 16499 | 15859 | 14594 | 12363 | - | - | - |
| Level 2 Construction Model L2 36 | 3/4 | 0.62 | 400 | 11.4 | 10243 | 8598 | 7950 | 7369 | 5053 | - | - | - | - | - | - | |
| | | 0.73 | 420 | 12.7 | 10755 | 9247 | 8663 | 8083 | 6717 | - | - | - | - | - | - | |
| | | 0.83 | 440 | 14.1 | 11267 | 9880 | 9359 | 8771 | 7672 | 4756 | - | - | - | - | - | |
| | 1 | 0.88 | 450 | 14.9 | 11523 | 10189 | 9697 | 9129 | 8064 | 6009 | - | - | - | - | - | |
| | | 1.02 | 470 | 16.5 | 12036 | 10788 | 10353 | 9840 | 8804 | 7544 | - | - | - | - | - | |
| | | 1.15 | 490 | 18.1 | 12548 | 11371 | 10986 | 10524 | 9508 | 8499 | 6203 | - | - | - | - | |
| | 1-1/2 | 1.22 | 500 | 19.0 | 12804 | 11659 | 11296 | 10857 | 9852 | 8896 | 7283 | - | - | - | - | |
| | | 1.46 | 530 | 20.7 | 13572 | 12512 | 12194 | 11822 | 10914 | 10005 | 9034 | 5081 | - | - | - | |
| | | 1.71 | 560 | 22.6 | 14340 | 13352 | 13063 | 12749 | 11956 | 11049 | 10211 | 8229 | - | - | - | |
| | 2 | 1.82 | 570 | 23.2 | 14596 | 13630 | 13349 | 13047 | 12292 | 11390 | 10579 | 8897 | - | - | - | |
| | | 2.07 | 595 | 24.8 | 15237 | 14319 | 14058 | 13778 | 13110 | 12290 | 11468 | 10197 | - | - | - | |
| | | 2.29 | 620 | 26.6 | 15877 | 15005 | 14758 | 14498 | 13916 | 13159 | 12327 | 11189 | 6501 | - | - | |
| | 3 | 2.41 | 630 | 27.2 | 16133 | 15276 | 15036 | 14783 | 14212 | 13500 | 12679 | 11562 | 7663 | - | - | |
| | | 2.82 | 660 | 29.2 | 16901 | 16090 | 15867 | 15630 | 15119 | 14490 | 13751 | 12638 | 10385 | - | - | |
| | | 3.22 | 690 | 31.4 | 17669 | 16899 | 16688 | 16468 | 15995 | 15443 | 14783 | 13673 | 11898 | 6989 | - | |
| | 5 | 3.33 | 700 | 32.1 | 17925 | 17168 | 16961 | 16745 | 16284 | 15755 | 15117 | 14017 | 12302 | 8018 | - | |
| | | 4.40 | 765 | 37.2 | 19590 | 18904 | 18720 | 18532 | 18130 | 17696 | 17202 | 16310 | 14695 | 13024 | 8562 | |
| | | 5.62 | 830 | 44.1 | 21255 | 20628 | 20462 | 20291 | 19935 | 19558 | 19152 | 18439 | 16970 | 15533 | 13885 | |
| 7-1/2 | 5.82 | 840 | 45.2 | 21511 | 20892 | 20728 | 20560 | 20211 | 19840 | 19443 | 18755 | 17327 | 15890 | 14360 | | |
| | 6.73 | 890 | 51.5 | 22791 | 22210 | 22057 | 21901 | 21580 | 21238 | 20879 | 20295 | 19057 | 17625 | 16316 | | |
| | 7.71 | 940 | 58.5 | 24071 | 23523 | 23380 | 23234 | 22934 | 22620 | 22290 | 21763 | 20706 | 19403 | 18125 | | |

Performance ratings do not include the effects of appurtenances (accessories).

Power ratings (BHP) do not include transmission losses.

Performance certified is for installation type A-free inlet, free outlet.

The sound ratings shown are loudness values in fan sones @ 5' (1.5m) in a hemispherical free field calculated per AMCA Standard 301. Values shown are for installation Type A-Free inlet fan sone levels.

Due to air stream cooling, the motor loading into the service factor shown does not overheat the motor and is within NEMA recommended limits. BHP at most static pressure points is less than the maximum power shown - in many cases substantially less. Use Optimizer to see the exact BHP for your selection.



Model LC, Model L2 and Model L3

Size 42

| Model | Limits | | Panel OD Square | Min. Wall Opening | Damper OD | Approx. Wt |
|-------|--------|-------------|-----------------|-------------------|-----------|------------|
| | RPM | Motor Frame | | | | |
| LC | 550 | 145T | 48 | 49 1/2 | 46 1/2 | 110 |
| L2 | 745 | 184T | 48 | 49 1/2 | 46 1/2 | 235 |
| L3 | 850 | 213T | 48 | 49 1/2 | 46 1/2 | 260 |



S&P USA Ventilation Systems, LLC., Div. of Soler & Palau Ventilation Group, certifies that the models shown herein are licensed to bear the AMCA Seal. The ratings shown are based on test and procedures performed in accordance with AMCA Publication 211 and AMCA Publication 311 and comply with the requirement of the AMCA Certified Ratings Program.



| Size | Motor HP | Max BHP | Fan RPM | Sones (0.10" SP) | Static Pressure (Inches W.G) | | | | | | | | | | | | |
|-------------------------------------|----------|---------|---------|------------------|------------------------------|-------|-------|-------|-------|-------|-------|-------|-------|-------|-------|---|---|
| | | | | | .000 | .100 | .125 | .150 | .200 | .250 | .300 | .375 | .500 | .625 | .750 | | |
| Level 1 Construction Model LC 42 | 1/3 | 0.33 | 285 | 8.3 | 12309 | 8342 | 6281 | - | - | - | - | - | - | - | - | - | - |
| | | 0.37 | 295 | 8.3 | 12741 | 8967 | 7579 | - | - | - | - | - | - | - | - | - | - |
| | | 0.41 | 305 | 8.4 | 13173 | 9658 | 8439 | 5438 | - | - | - | - | - | - | - | - | - |
| | 1/2 | 0.50 | 325 | 8.8 | 14037 | 10969 | 9725 | 8483 | - | - | - | - | - | - | - | - | - |
| | | 0.54 | 335 | 9.3 | 14469 | 11549 | 10380 | 9305 | - | - | - | - | - | - | - | - | - |
| | | 0.60 | 345 | 9.8 | 14901 | 12109 | 11073 | 9960 | - | - | - | - | - | - | - | - | - |
| | 3/4 | 0.75 | 375 | 11.4 | 16197 | 13705 | 12938 | 11928 | 9768 | - | - | - | - | - | - | - | - |
| | | 0.83 | 385 | 12.0 | 16629 | 14218 | 13498 | 12606 | 10619 | - | - | - | - | - | - | - | - |
| | | 0.90 | 395 | 12.6 | 17060 | 14724 | 14044 | 13252 | 11285 | 7292 | - | - | - | - | - | - | - |
| | 1 | 1.00 | 410 | 13.4 | 17708 | 15474 | 14842 | 14128 | 12233 | 9895 | - | - | - | - | - | - | - |
| | | 1.11 | 425 | 14.3 | 18356 | 16214 | 15618 | 14966 | 13217 | 11433 | 6467 | - | - | - | - | - | - |
| | | 1.20 | 435 | 14.9 | 18788 | 16703 | 16128 | 15508 | 13911 | 12182 | 8485 | - | - | - | - | - | - |
| | 1 1/2 | 1.50 | 470 | 16.9 | 20300 | 18400 | 17874 | 17336 | 16118 | 14419 | 12885 | - | - | - | - | - | - |
| | | 1.65 | 485 | 17.9 | 20948 | 19119 | 18609 | 18095 | 16964 | 15460 | 13900 | 9198 | - | - | - | - | - |
| | | 1.81 | 500 | 18.8 | 21596 | 19833 | 19339 | 18845 | 17784 | 16470 | 14848 | 11827 | - | - | - | - | - |
| | 2 | 2.00 | 515 | 19.8 | 22243 | 20543 | 20067 | 19587 | 18583 | 17410 | 15805 | 13517 | - | - | - | - | - |
| | | 2.22 | 535 | 21 | 23107 | 21482 | 21029 | 20566 | 19623 | 18561 | 17190 | 15068 | - | - | - | - | - |
| | | 2.40 | 550 | 22 | 23755 | 22182 | 21746 | 21295 | 20388 | 19393 | 18190 | 16034 | - | - | - | - | - |
| Level 2 Construction Model L2 42 | 1/3 | 0.33 | 285 | 7.8 | 10509 | 7477 | 5671 | 3612 | - | - | - | - | - | - | - | - | |
| | | 0.36 | 290 | 8.0 | 10694 | 7789 | 6342 | 4014 | - | - | - | - | - | - | - | - | |
| | | 0.40 | 300 | 8.1 | 11062 | 8381 | 7206 | 4906 | - | - | - | - | - | - | - | - | |
| | 1/2 | 0.50 | 325 | 8.9 | 11984 | 9671 | 8755 | 7643 | - | - | - | - | - | - | - | - | |
| | | 0.55 | 335 | 9.4 | 12353 | 10149 | 9347 | 8304 | - | - | - | - | - | - | - | - | |
| | | 0.60 | 345 | 10.0 | 12722 | 10621 | 9901 | 8910 | - | - | - | - | - | - | - | - | |
| | 3/4 | 0.75 | 370 | 11.5 | 13644 | 11823 | 11131 | 10411 | 8367 | - | - | - | - | - | - | - | |
| | | 0.84 | 385 | 12.4 | 14197 | 12521 | 11841 | 11206 | 9474 | 6112 | - | - | - | - | - | - | |
| | | 0.90 | 395 | 13.0 | 14566 | 12972 | 12316 | 11697 | 10087 | 7124 | - | - | - | - | - | - | |
| | 1 | 1.00 | 405 | 13.7 | 14934 | 13406 | 12803 | 12178 | 10697 | 8279 | - | - | - | - | - | - | |
| | | 1.10 | 420 | 14.6 | 15487 | 14041 | 13516 | 12889 | 11606 | 9898 | 6533 | - | - | - | - | - | |
| | | 1.20 | 435 | 15.7 | 16041 | 14664 | 14206 | 13604 | 12449 | 10877 | 8053 | - | - | - | - | - | |
| | 1 1/2 | 1.50 | 470 | 18.0 | 17331 | 16089 | 15716 | 15265 | 14174 | 13001 | 11506 | 7343 | - | - | - | - | |
| | | 1.66 | 485 | 19.0 | 17884 | 16689 | 16339 | 15942 | 14884 | 13846 | 12428 | 8858 | - | - | - | - | |
| | | 1.81 | 495 | 19.6 | 18253 | 17088 | 16750 | 16375 | 15354 | 14366 | 13037 | 9983 | - | - | - | - | |
| | 2 | 2.00 | 515 | 21 | 18990 | 17880 | 17564 | 17222 | 16325 | 15345 | 14250 | 12166 | - | - | - | - | |
| | | 2.24 | 535 | 22 | 19728 | 18666 | 18369 | 18052 | 17271 | 16299 | 15368 | 13458 | - | - | - | - | |
| | | 2.42 | 550 | 23 | 20281 | 19253 | 18969 | 18666 | 17959 | 17006 | 16121 | 14360 | 9183 | - | - | - | |
| 3 | 3.00 | 590 | 26 | 21756 | 20806 | 20549 | 20280 | 19690 | 18928 | 18041 | 16738 | 13692 | 8037 | - | - | | |
| | 3.33 | 610 | 27 | 22494 | 21578 | 21333 | 21077 | 20524 | 19855 | 18985 | 17781 | 15060 | 9786 | 6188 | - | | |
| | 3.60 | 625 | 28 | 23047 | 22156 | 21918 | 21671 | 21141 | 20531 | 19717 | 18517 | 15977 | 11312 | 7195 | - | | |
| 5 | 5.00 | 700 | 34 | 25812 | 25024 | 24818 | 24606 | 24164 | 23687 | 23156 | 22103 | 20314 | 17936 | 14112 | - | | |
| | 5.52 | 720 | 36 | 26550 | 25785 | 25586 | 25382 | 24957 | 24503 | 24005 | 23060 | 21299 | 19163 | 16540 | - | | |
| | 6.07 | 745 | 38 | 27472 | 26734 | 26542 | 26347 | 25942 | 25513 | 25049 | 24222 | 22500 | 20666 | 18311 | - | | |
| Level 3 Model L3 42 | 7 1/2 | 7.50 | 800 | 43 | 29500 | 28816 | 28639 | 28460 | 28091 | 27705 | 27298 | 26628 | 25120 | 23570 | 21683 | - | |
| | | 8.17 | 825 | 46 | 30422 | 29759 | 29589 | 29416 | 29061 | 28692 | 28305 | 27676 | 26325 | 24778 | 23147 | - | |
| | | 8.93 | 850 | 48 | 31344 | 30701 | 30537 | 30369 | 30027 | 29673 | 29304 | 28710 | 27497 | 25965 | 24512 | - | |

Performance ratings do not include the effects of appurtenances (accessories).

Power ratings (BHP) do not include transmission losses.

Performance certified is for installation type A-free inlet, free outlet.

The sound ratings shown are loudness values in fan sones @ 5' (1.5m) in a hemispherical free field calculated per AMCA Standard 301. Values shown are for installation Type A-Free inlet fan sone levels.

Due to air stream cooling, the motor loading into the service factor shown does not overheat the motor and is within NEMA recommended limits.

BHP at most static pressure points is less than the maximum power shown - in many cases substantially less. Use Optimizer to see the exact BHP for your selection.



MODELS LCE/LCS, L2E/L2S, L3E/L3S
BELT DRIVE SIDEWALL PROPELLER FANS

Model LC, Model L2 and Model L3

Size 48



S&P USA Ventilation Systems, LLC., Div. of Soler & Palau Ventilation Group, certifies that the models shown herein are licensed to bear the AMCA Seal. The ratings shown are based on test and procedures performed in accordance with AMCA Publication 211 and AMCA Publication 311 and comply with the requirement of the AMCA Certified Ratings Program.



| Model | Limits | | Panel OD Square | Min. Wall Opening | Damper OD | Approx. Wt |
|-------|--------|-------------|-----------------|-------------------|-----------|------------|
| | RPM | Motor Frame | | | | |
| LC | 455 | 145T | 54 | 55 1/2 | 52 1/2 | 125 |
| L2 | 605 | 184T | 54 | 55 1/2 | 52 1/2 | 300 |
| L3 | 765 | 215T | 54 | 55 1/2 | 52 1/2 | 330 |

| Size | Motor HP | Max BHP | Fan RPM | Sones (0.10" SP) | Static Pressure (Inches W.G) | | | | | | | | | | | | |
|-------------------------------------|-------------------------------------|---------|---------|------------------|------------------------------|-------|-------|-------|-------|-------|-------|-------|-------|-------|------|---|---|
| | | | | | .000 | .100 | .125 | .150 | .200 | .250 | .300 | .375 | .500 | .625 | .750 | | |
| Level 1 Construction Model LC 48 | 1/2 | 0.50 | 270 | 9.5 | 16739 | 11961 | 9933 | - | - | - | - | - | - | - | - | - | - |
| | | 0.56 | 280 | 9.7 | 17359 | 12936 | 11133 | 6659 | - | - | - | - | - | - | - | - | - |
| | | 0.62 | 290 | 10.0 | 17979 | 13841 | 12199 | 10077 | - | - | - | - | - | - | - | - | - |
| | 3/4 | 0.69 | 300 | 10.4 | 18599 | 14684 | 13193 | 11413 | - | - | - | - | - | - | - | - | - |
| | | 0.75 | 310 | 10.9 | 19219 | 15459 | 14171 | 12556 | - | - | - | - | - | - | - | - | - |
| | | 0.83 | 320 | 11.6 | 19839 | 16210 | 15101 | 13600 | - | - | - | - | - | - | - | - | - |
| | 1 | 0.91 | 330 | 12.1 | 20459 | 16949 | 15969 | 14584 | 10759 | - | - | - | - | - | - | - | - |
| | | 1.00 | 340 | 12.7 | 21079 | 17678 | 16778 | 15563 | 12363 | - | - | - | - | - | - | - | - |
| | | 1.09 | 350 | 13.4 | 21699 | 18411 | 17542 | 16493 | 13606 | - | - | - | - | - | - | - | - |
| | 1 1/2 | 1.14 | 355 | 13.7 | 22009 | 18777 | 17917 | 16936 | 14174 | - | - | - | - | - | - | - | - |
| | | 1.23 | 365 | 14.3 | 22629 | 19504 | 18659 | 17784 | 15243 | 10868 | - | - | - | - | - | - | - |
| | | 1.50 | 390 | 15.9 | 24179 | 21296 | 20488 | 19711 | 17720 | 15058 | - | - | - | - | - | - | - |
| | 2 | 1.63 | 400 | 16.7 | 24799 | 22004 | 21219 | 20452 | 18668 | 16187 | 11973 | - | - | - | - | - | - |
| | | 1.82 | 415 | 17.8 | 25729 | 23054 | 22306 | 21548 | 19994 | 17746 | 14950 | - | - | - | - | - | - |
| | | 2.00 | 430 | 18.9 | 26659 | 24093 | 23381 | 22647 | 21217 | 19215 | 16819 | - | - | - | - | - | - |
| | Level 2 Construction Model L2 48 | 1/2 | 2.16 | 440 | 19.6 | 27279 | 24779 | 24091 | 23377 | 21983 | 20194 | 17929 | - | - | - | - | - |
| | | | 2.39 | 455 | 21 | 28209 | 25800 | 25148 | 24463 | 23107 | 21574 | 19479 | 15382 | - | - | - | - |
| | | | 0.51 | 265 | 8.9 | 14897 | 11015 | 9603 | 7178 | - | - | - | - | - | - | - | - |
| | | 3/4 | 0.55 | 270 | 9.1 | 15178 | 11448 | 10050 | 8090 | - | - | - | - | - | - | - | - |
| | | | 0.60 | 280 | 9.3 | 15740 | 12285 | 10907 | 9442 | - | - | - | - | - | - | - | - |
| 0.69 | | | 295 | 10.1 | 16584 | 13462 | 12204 | 10941 | - | - | - | - | - | - | - | - | |
| 1 | | 0.75 | 300 | 10.4 | 16865 | 13840 | 12639 | 11376 | 7002 | - | - | - | - | - | - | - | |
| | | 0.82 | 310 | 11.2 | 17427 | 14578 | 13485 | 12223 | 9041 | - | - | - | - | - | - | - | |
| | | 0.90 | 320 | 11.9 | 17989 | 15300 | 14290 | 13092 | 10504 | - | - | - | - | - | - | - | |
| 1 1/2 | | 0.93 | 325 | 12.2 | 18270 | 15656 | 14681 | 13530 | 11096 | - | - | - | - | - | - | - | |
| | | 1.00 | 335 | 13.0 | 18832 | 16352 | 15443 | 14388 | 12128 | 7739 | - | - | - | - | - | - | |
| | | 1.13 | 345 | 13.8 | 19394 | 17033 | 16183 | 15213 | 13014 | 9825 | - | - | - | - | - | - | |
| 2 | | 1.23 | 355 | 14.6 | 19957 | 17701 | 16908 | 16003 | 13866 | 11386 | - | - | - | - | - | - | |
| | | 1.50 | 380 | 16.4 | 21362 | 19320 | 18656 | 17879 | 16032 | 14051 | 11129 | - | - | - | - | - | |
| | | 1.68 | 395 | 17.5 | 22205 | 20262 | 19664 | 18958 | 17294 | 15342 | 13239 | - | - | - | - | - | |
| 3 | | 1.80 | 405 | 18.2 | 22767 | 20884 | 20322 | 19661 | 18094 | 16184 | 14339 | - | - | - | - | - | |
| | | 2.00 | 420 | 19.4 | 23611 | 21808 | 21293 | 20689 | 19252 | 17504 | 15719 | - | - | - | - | - | |
| | | 2.20 | 430 | 20 | 24173 | 22419 | 21926 | 21361 | 20000 | 18365 | 16577 | 13276 | - | - | - | - | |
| 5 | | 2.40 | 445 | 21 | 25016 | 23331 | 22864 | 22350 | 21095 | 19608 | 17847 | 15192 | - | - | - | - | |
| | | 3.00 | 480 | 24 | 26983 | 25436 | 25020 | 24580 | 23553 | 22305 | 20871 | 18470 | 12309 | - | - | - | |
| | 3.36 | 495 | 25 | 27827 | 26331 | 25932 | 25514 | 24564 | 23402 | 22080 | 19734 | 15092 | - | - | - | | |
| 7 1/2 | 3.62 | 510 | 27 | 28670 | 27222 | 26838 | 26439 | 25556 | 24479 | 23245 | 21054 | 17098 | - | - | - | | |
| | 5.00 | 565 | 31 | 31762 | 30464 | 30127 | 29781 | 29053 | 28231 | 27262 | 25589 | 22235 | 18481 | - | - | | |
| | 5.44 | 585 | 33 | 32886 | 31635 | 31311 | 30980 | 30290 | 29535 | 28650 | 27105 | 23969 | 20741 | - | - | | |
| Level 3 Construction Model L3 48 | 6.13 | 605 | 35 | 34010 | 32802 | 32491 | 32174 | 31516 | 30811 | 30001 | 28571 | 25707 | 22582 | 14450 | - | | |
| | 7.50 | 650 | 40 | 36540 | 35419 | 35132 | 34841 | 34243 | 33616 | 32945 | 31753 | 29362 | 26441 | 23603 | - | | |
| | 8.11 | 670 | 42 | 37664 | 36578 | 36300 | 36020 | 35444 | 34844 | 34209 | 33113 | 30886 | 28190 | 25367 | - | | |
| | 9.05 | 695 | 45 | 39070 | 38023 | 37757 | 37487 | 36937 | 36367 | 35770 | 34774 | 32730 | 30306 | 27485 | - | | |
| | 10.00 | 720 | 48 | 40475 | 39466 | 39210 | 38951 | 38423 | 37880 | 37314 | 36401 | 34530 | 32304 | 29666 | - | | |
| | 10.88 | 740 | 50 | 41600 | 40618 | 40369 | 40118 | 39607 | 39083 | 38540 | 37674 | 35937 | 33846 | 31401 | - | | |
| | 12.00 | 765 | 52 | 43005 | 42056 | 41816 | 41574 | 41083 | 40580 | 40061 | 39243 | 37651 | 35714 | 33496 | - | | |

Performance ratings do not include the effects of appurtenances (accessories).

Power ratings (BHP) do not include transmission losses.

Performance certified is for installation type A-free inlet, free outlet.

The sound ratings shown are loudness values in fan sones @ 5' (1.5m) in a hemispherical free field calculated per AMCA Standard 301. Values shown are for installation Type A-Free inlet fan sone levels.

Due to air stream cooling, the motor loading into the service factor shown does not overheat the motor and is within NEMA recommended limits. BHP at most static pressure points is less than the maximum power shown - in many cases substantially less. Use Optimizer to see the exact BHP for your selection.



Model LC, Model L2 and Model L3

Size 54

| Limits | | | Panel OD Square | Min. Wall Opening | Damper OD | Approx. Wt |
|--------|-----|-------------|-----------------|-------------------|-----------|------------|
| Model | RPM | Motor Frame | | | | |
| LC | 425 | 182T | 60 | 61 1/2 | 58 1/2 | 240 |
| L2 | 515 | 184T | 60 | 61 1/2 | 58 1/2 | 400 |
| L3 | 740 | 256T | 60 | 61 1/2 | 58 1/2 | 500 |



S&P USA Ventilation Systems, LLC., Div. of Soler & Palau Ventilation Group, certifies that the models shown herein are licensed to bear the AMCA Seal. The ratings shown are based on test and procedures performed in accordance with AMCA Publication 211 and AMCA Publication 311 and comply with the requirement of the AMCA Certified Ratings Program.



| Construction | Size | Motor HP | Max BHP | Fan RPM | Sones (0.15" SP) | Static Pressure (Inches W.G) | | | | | | | | | |
|----------------------|-------------|----------|---------|---------|------------------|------------------------------|-------|-------|-------|-------|-------|-------|-------|-------|-------|
| | | | | | | .000 | .125 | .150 | .200 | .250 | .300 | .375 | .500 | .625 | .750 |
| Level 1 Construction | Model LC 54 | 3/4 | 0.75 | 250 | 9.8 | 21652 | 14977 | 10311 | - | - | - | - | - | - | - |
| | | | 0.82 | 260 | 10.4 | 22518 | 16507 | 13479 | - | - | - | - | - | - | - |
| | | | 0.92 | 270 | 11.0 | 23384 | 17932 | 15352 | 10232 | - | - | - | - | - | - |
| | | 1 | 1.00 | 275 | 11.4 | 23817 | 18559 | 16095 | 11620 | - | - | - | - | - | - |
| | | | 1.09 | 285 | 12.3 | 24683 | 19720 | 17561 | 14816 | - | - | - | - | - | - |
| | | | 1.20 | 295 | 13.1 | 25550 | 20825 | 19097 | 16699 | - | - | - | - | - | - |
| | | 1 1/2 | 1.50 | 315 | 14.8 | 27282 | 22932 | 21633 | 19683 | 12699 | - | - | - | - | - |
| | | | 1.61 | 325 | 15.5 | 28148 | 23950 | 22757 | 21183 | 15785 | - | - | - | - | - |
| | | | 1.84 | 340 | 16.8 | 29447 | 25449 | 24372 | 23109 | 19183 | - | - | - | - | - |
| | 2 | 2.00 | 350 | 17.7 | 30313 | 26434 | 25414 | 24259 | 20671 | 13599 | - | - | - | - | |
| | | 2.19 | 360 | 18.5 | 31179 | 27408 | 26437 | 25365 | 22133 | 16456 | - | - | - | - | |
| | | 2.38 | 370 | 19.4 | 32045 | 28375 | 27445 | 26439 | 23692 | 19651 | - | - | - | - | |
| | 3 | 3.00 | 400 | 22 | 34643 | 31236 | 30401 | 29530 | 27543 | 24351 | 20039 | - | - | - | |
| | | 3.35 | 415 | 23 | 35943 | 32648 | 31852 | 31029 | 29213 | 26686 | 23274 | - | - | - | |
| | | 3.60 | 425 | 24 | 36809 | 33585 | 32812 | 32015 | 30290 | 28100 | 24785 | 15677 | - | - | |
| Level 2 Construction | Model L2 54 | 1 | 1.00 | 280 | 12.9 | 22680 | 17068 | 15430 | 10747 | - | - | - | - | - | |
| | | | 1.08 | 290 | 12.8 | 23490 | 18289 | 16585 | 13352 | - | - | - | - | - | |
| | | | 1.20 | 300 | 13.3 | 24300 | 19435 | 17847 | 14940 | - | - | - | - | - | |
| | | 1 1/2 | 1.50 | 325 | 14.7 | 26325 | 22071 | 20881 | 18012 | 15063 | - | - | - | - | |
| | | | 1.66 | 335 | 15.3 | 27135 | 23051 | 21991 | 19167 | 16645 | - | - | - | - | |
| | | | 1.82 | 345 | 15.9 | 27945 | 24009 | 23055 | 20429 | 17977 | 13943 | - | - | - | |
| | | 2 | 2.00 | 355 | 16.5 | 28755 | 24951 | 24076 | 21693 | 19167 | 16320 | - | - | - | |
| | | | 2.14 | 370 | 17.4 | 29970 | 26337 | 25543 | 23506 | 20904 | 18665 | - | - | - | |
| | | | 2.42 | 380 | 18.1 | 30780 | 27250 | 26496 | 24642 | 22110 | 19943 | 12875 | - | - | |
| | 3 | 3.00 | 405 | 19.8 | 32805 | 29495 | 28822 | 27307 | 25251 | 22863 | 19592 | - | - | | |
| | | 3.26 | 420 | 21 | 34020 | 30816 | 30188 | 28793 | 27006 | 24696 | 21705 | - | - | | |
| | | 3.63 | 435 | 22 | 35235 | 32123 | 31538 | 30237 | 28662 | 26595 | 23500 | - | - | | |
| | 5 | 5.00 | 485 | 27 | 39285 | 36430 | 35924 | 34861 | 33677 | 32300 | 29567 | 25066 | - | | |
| | | 5.35 | 495 | 28 | 40095 | 37284 | 36789 | 35763 | 34624 | 33339 | 30803 | 26276 | 19008 | | |
| | | 6.04 | 515 | 29 | 41715 | 38988 | 38510 | 37550 | 36487 | 35323 | 33144 | 28610 | 24012 | | |
| Level 3 Construction | Model L3 54 | 7 1/2 | 6.94 | 540 | 31 | 43740 | 41110 | 40651 | 39742 | 38772 | 37717 | 35876 | 31600 | 27746 | 19763 |
| | | | 7.50 | 555 | 33 | 44955 | 42378 | 41930 | 41046 | 40126 | 39121 | 37436 | 33508 | 29564 | 24604 |
| | | | 8.60 | 580 | 35 | 46980 | 44488 | 44055 | 43206 | 42356 | 41424 | 39902 | 36579 | 32473 | 28797 |
| | | 10 | 10.00 | 610 | 38 | 49410 | 47011 | 46594 | 45782 | 44978 | 44138 | 42758 | 39973 | 36128 | 32626 |
| | | | 11.06 | 630 | 40 | 51030 | 48690 | 48283 | 47491 | 46713 | 45923 | 44619 | 42105 | 38653 | 34954 |
| | | | 12.15 | 650 | 42 | 52650 | 50364 | 49967 | 49195 | 48439 | 47682 | 46454 | 44142 | 41077 | 37264 |
| | | 15 | 15.00 | 700 | 48 | 56700 | 54541 | 54164 | 53434 | 52725 | 52024 | 50955 | 48962 | 46617 | 43558 |
| | | | 16.45 | 720 | 51 | 58320 | 56207 | 55837 | 55123 | 54430 | 53747 | 52721 | 50830 | 48684 | 45923 |
| | | | 17.85 | 740 | 53 | 59940 | 57872 | 57509 | 56809 | 56130 | 55464 | 54469 | 52675 | 50659 | 48179 |

Performance ratings do not include the effects of appurtenances (accessories).

Power ratings (BHP) do not include transmission losses.

Performance certified for installation type A-free inlet, free outlet.

The sound ratings shown are loudness values in fan sones @ 5' (1.5m) in a hemispherical free field calculated per AMCA Standard 301. Values shown are for installation Type A-Free inlet fan sone levels.

Due to air stream cooling, the motor loading into the service factor shown does not overheat the motor and is within NEMA recommended limits. BHP at most static pressure points is less than the maximum power shown - in many cases substantially less. Use Optimizer to see the exact BHP for your selection.



MODELS LCE/LCS, L2E/L2S, L3E/L3S
BELT DRIVE SIDEWALL PROPELLER FANS

Model LC, Model L2 and Model L3

Size 60

| Model | Limits | | Panel OD Square | Min. Wall Opening | Damper OD | Approx. Wt |
|-------|--------|-------------|-----------------|-------------------|-----------|------------|
| | RPM | Motor Frame | | | | |
| LC | 380 | 182T | 66 | 67 1/2 | 64 1/2 | 285 |
| L2 | 460 | 184T | 66 | 67 1/2 | 64 1/2 | 490 |
| L3 | 700 | 256T | 66 | 67 1/2 | 64 1/2 | 530 |



S&P USA Ventilation Systems, LLC., Div. of Soler & Palau Ventilation Group, certifies that the models shown herein are licensed to bear the AMCA Seal. The ratings shown are based on test and procedures performed in accordance with AMCA Publication 211 and AMCA Publication 311 and comply with the requirement of the AMCA Certified Ratings Program.



| Construction | Size | Motor HP | Max BHP | Fan RPM | Sones (0.00" SP) | Static Pressure (Inches W.G) | | | | | | | | | |
|----------------------|-------------|----------|---------|---------|------------------|------------------------------|-------|-------|-------|-------|-------|-------|-------|-------|-------|
| | | | | | | .000 | .125 | .150 | .200 | .250 | .375 | .500 | .625 | .750 | 1.000 |
| Level 1 Construction | Model LC 60 | 1 | 1.00 | 250 | 10.3 | 26878 | 20089 | 16672 | - | - | - | - | - | - | - |
| | | | 1.08 | 255 | 10.7 | 27416 | 20835 | 18009 | - | - | - | - | - | - | - |
| | | | 1.21 | 265 | 11.5 | 28491 | 22275 | 20109 | - | - | - | - | - | - | - |
| | | 1 1/2 | 1.50 | 285 | 13.0 | 30641 | 25041 | 23280 | 20999 | - | - | - | - | - | - |
| | | | 1.69 | 295 | 13.9 | 31717 | 26369 | 24721 | 22844 | - | - | - | - | - | - |
| | | | 1.75 | 300 | 14.3 | 32254 | 27023 | 25433 | 23649 | - | - | - | - | - | - |
| | 2 | 2.00 | 310 | 15.1 | 33329 | 28317 | 26824 | 25176 | 18811 | - | - | - | - | - | |
| | | 2.23 | 325 | 16.3 | 34942 | 30222 | 28846 | 27344 | 23361 | - | - | - | - | - | |
| | | 2.44 | 335 | 17.1 | 36017 | 31464 | 30159 | 28751 | 25399 | - | - | - | - | - | |
| | 3 | 3.03 | 360 | 19.1 | 38705 | 34490 | 33367 | 32125 | 29373 | 25314 | - | - | - | - | |
| | | 3.29 | 370 | 20 | 39780 | 35672 | 34618 | 33430 | 30822 | 27531 | - | - | - | - | |
| | | 3.56 | 380 | 21 | 40855 | 36826 | 35849 | 34723 | 32244 | 29351 | - | - | - | - | |
| Level 2 Construction | Model L2 60 | 1 | 1.00 | 250 | 9.9 | 25631 | 17744 | 15842 | - | - | - | - | - | - | |
| | | | 1.08 | 260 | 10.6 | 26656 | 19351 | 17368 | - | - | - | - | - | - | |
| | | | 1.21 | 270 | 11.3 | 27681 | 20986 | 18860 | 15136 | - | - | - | - | - | |
| | | 1 1/2 | 1.50 | 290 | 12.7 | 29732 | 23756 | 22062 | 18500 | - | - | - | - | - | |
| | | | 1.67 | 300 | 13.4 | 30757 | 25033 | 23639 | 20021 | 16501 | - | - | - | - | |
| | | | 1.83 | 310 | 14.2 | 31782 | 26280 | 25017 | 21513 | 18376 | - | - | - | - | |
| | 2 | 2.00 | 320 | 15.0 | 32808 | 27513 | 26324 | 23013 | 20017 | - | - | - | - | | |
| | | 2.11 | 325 | 15.4 | 33320 | 28131 | 26963 | 23823 | 20803 | - | - | - | - | | |
| | | 2.22 | 330 | 15.8 | 33833 | 28744 | 27594 | 24667 | 21569 | - | - | - | - | | |
| | 3 | 3.00 | 365 | 19.0 | 37421 | 32929 | 31915 | 29813 | 26912 | 19530 | - | - | - | | |
| | | 3.38 | 380 | 20 | 38959 | 34674 | 33724 | 31731 | 29390 | 22561 | - | - | - | | |
| | | 3.64 | 390 | 21 | 39984 | 35821 | 34914 | 32979 | 30912 | 24209 | - | - | - | | |
| 5 | 5.00 | 435 | 25 | 44598 | 40862 | 40121 | 38488 | 36744 | 31031 | 25399 | - | - | | | |
| | 5.60 | 450 | 26 | 46136 | 42519 | 41809 | 40275 | 38594 | 33461 | 27901 | - | - | | | |
| | 5.98 | 460 | 27 | 47161 | 43618 | 42926 | 41454 | 39830 | 35125 | 29479 | - | - | | | |
| Level 3 Construction | Model L3 60 | 7 1/2 | 7.03 | 485 | 29 | 49724 | 46353 | 45700 | 44359 | 42869 | 38864 | 33248 | 28162 | - | |
| | | | 7.50 | 495 | 30 | 50749 | 47441 | 46803 | 45502 | 44065 | 40196 | 34740 | 29870 | - | |
| | | | 7.91 | 505 | 31 | 51774 | 48527 | 47902 | 46633 | 45252 | 41497 | 36241 | 31497 | - | |
| | | | 9.09 | 530 | 34 | 54338 | 51231 | 50636 | 49437 | 48180 | 44658 | 40368 | 35343 | 30623 | |
| | | 10 | 10.00 | 545 | 35 | 55875 | 52847 | 52268 | 51107 | 49912 | 46512 | 42747 | 37583 | 33176 | - |
| | | | 10.78 | 560 | 37 | 57413 | 54459 | 53895 | 52767 | 51617 | 48365 | 44872 | 39824 | 35577 | - |
| | | | 11.98 | 580 | 39 | 59464 | 56603 | 56058 | 54969 | 53868 | 50812 | 47513 | 43039 | 38629 | - |
| | | 15 | 15.00 | 625 | 44 | 64077 | 61406 | 60896 | 59886 | 58874 | 56189 | 53177 | 50021 | 45397 | 37596 |
| | | | 16.48 | 645 | 47 | 66128 | 63532 | 63037 | 62056 | 61078 | 58529 | 55646 | 52673 | 48763 | 40825 |
| | | | 17.98 | 665 | 49 | 68178 | 65654 | 65173 | 64219 | 63271 | 60843 | 58098 | 55240 | 51973 | 43894 |

Performance ratings do not include the effects of appurtenances (accessories).

Power ratings (BHP) do not include transmission losses.

Performance certified for installation type A-free inlet, free outlet.

The sound ratings shown are loudness values in fan sones @ 5' (1.5m) in a hemispherical free field calculated per AMCA Standard 301. Values shown are for installation Type A-Free inlet fan sone levels.

Due to air stream cooling, the motor loading into the service factor shown does not overheat the motor and is within NEMA recommended limits. BHP at most static pressure points is less than the maximum power shown - in many cases substantially less. Use Optimizer to see the exact BHP for your selection.



Model L3

Size 72



S&P USA Ventilation Systems, LLC., Div. of Soler & Palau Ventilation Group, certifies that the models shown herein are licensed to bear the AMCA Seal. The ratings shown are based on test and procedures performed in accordance with AMCA Publication 211 and AMCA Publication 311 and comply with the requirement of the AMCA Certified Ratings Program.



Standard 705
(Optional)

| Limits | | | Panel OD Square | Min. Wall Opening | Damper OD | Approx. Wt |
|--------|-----|-------------|-----------------|-------------------|-----------|------------|
| Model | RPM | Motor Frame | | | | |
| L3 | 545 | 256T | 80 | 81 1/2 | 78 1/2 | 600 |

| Level 3 Construction | Size | Motor HP | Max BHP | Fan RPM | Sones (0.00" SP) | Static Pressure (Inches W.G.) | | | | | | | | | |
|----------------------|------|----------|---------|---------|------------------|-------------------------------|-------|-------|-------|-------|-------|-------|-------|-------|-------|
| | | | | | | .000 | .125 | .200 | .250 | .300 | .375 | .500 | .625 | .750 | 1.000 |
| | | | | | | Model L3 72 | 1 1/2 | 1.29 | 225 | 22 | 35129 | 20805 | - | - | - |
| | | 1.50 | 235 | 23 | 36690 | 23490 | 11736 | - | - | - | - | - | - | - | - |
| | | 1.77 | 250 | 25 | 39032 | 28557 | 16766 | - | - | - | - | - | - | - | - |
| | 2 | 2.00 | 260 | 27 | 40593 | 30797 | 19872 | 12185 | - | - | - | - | - | - | - |
| | | 2.23 | 270 | 28 | 42154 | 33105 | 22720 | 15591 | - | - | - | - | - | - | - |
| | | 2.36 | 275 | 29 | 42935 | 34370 | 23988 | 17268 | - | - | - | - | - | - | - |
| | 3 | 3.00 | 295 | 34 | 46058 | 38778 | 28928 | 23480 | 16818 | - | - | - | - | - | - |
| | | 3.22 | 305 | 36 | 47619 | 40624 | 32722 | 26224 | 20149 | - | - | - | - | - | - |
| | | 3.54 | 315 | 39 | 49180 | 42421 | 35839 | 28644 | 23303 | - | - | - | - | - | - |
| | 5 | 4.26 | 335 | 44 | 52303 | 45927 | 40304 | 34243 | 28943 | 20547 | - | - | - | - | - |
| | | 5.00 | 350 | 48 | 54645 | 48505 | 44011 | 39490 | 32581 | 25385 | - | - | - | - | - |
| | | 5.98 | 375 | 56 | 58548 | 52752 | 49397 | 45162 | 40602 | 32470 | 19719 | - | - | - | - |
| | 7 | 6.44 | 385 | 60 | 60109 | 54439 | 52140 | 47621 | 43710 | 34888 | 23115 | - | - | - | - |
| | | 7.50 | 405 | 64 | 63232 | 57793 | 54820 | 52395 | 48197 | 39949 | 29577 | 17215 | - | - | - |
| | | 8.71 | 425 | 67 | 66354 | 61123 | 58310 | 56291 | 52989 | 47294 | 35402 | 24005 | - | - | - |
| | 10 | 10.00 | 445 | 69 | 69477 | 64435 | 61744 | 59908 | 57687 | 52162 | 40392 | 30620 | 19305 | - | - |
| | | 11.04 | 460 | 71 | 71819 | 66908 | 64294 | 62555 | 60633 | 55471 | 44092 | 35242 | 24397 | - | - |
| | | 12.15 | 475 | 74 | 74160 | 69373 | 66838 | 65165 | 63387 | 59202 | 48920 | 39535 | 29471 | - | - |
| | 15 | 15.00 | 510 | 79 | 79625 | 75100 | 72720 | 71154 | 69590 | 66984 | 59376 | 48219 | 40396 | - | - |
| | | 16.41 | 525 | 81 | 81967 | 77547 | 75223 | 73700 | 72190 | 69767 | 62695 | 52353 | 44585 | 26079 | - |
| | | 18.36 | 545 | 85 | 85089 | 80799 | 78545 | 77078 | 75619 | 73370 | 67480 | 59891 | 49467 | 32867 | - |

Performance ratings do not include the effects of appurtenances (accessories).

Power ratings (BHP) do not include transmission losses.

Performance certified is for installation type A-free inlet, free outlet.

The sound ratings shown are loudness values in fan sones @ 5' (1.5m) in a hemispherical free field calculated per AMCA Standard 301. Values shown are for installation Type A-Free inlet fan sone levels.

Due to air stream cooling, the motor loading into the service factor shown does not overheat the motor and is within NEMA recommended limits. BHP at most static pressure points is less than the maximum power shown - in many cases substantially less. Use Optimizer to see the exact BHP for your selection.