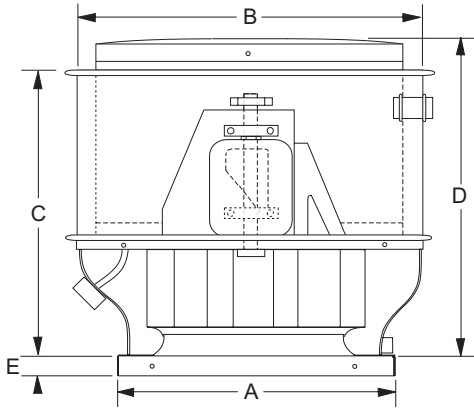


MODEL TXB-RHUL UL762 LISTED RESTAURANT BELT DRIVE CENTRIFUGAL UPBLAST ROOF EXHAUSTER



SIZE	DIMENSIONS (IN.)					AVG. SHIP WT. (LBS)
	A	B	C	D	E	
8	16 1/2	24	24	27	1 3/4	69
10	16 1/2	27	26	29	1 3/4	69
12/15/16	24	31 1/2	26	29	2 1/2	93
18/20	29 1/2	37 3/4	28 1/2	32	2 1/2	120
24	35 1/2	47 1/4	31 1/2	42	2 1/2	245
30	42 1/2	56 3/4	41	45	2 1/2	365
36	42 1/2	66	44	48	2 1/2	365
42	55	72 1/2	48	52	2 1/2	385
48	55	78 3/4	52	56	2 1/2	490

A - Inside dimension of square curb cap. D - Height of unit above top of curb.
 B - Outside diameter of unit. G - Outside dimension of factory built prefab curb.
 C - Height of exhaust opening above curb cap.

FAN FEATURES

- Exhaust air up to 35,000 CFM in high static pressure applications up to 3-1/4" w.g.
- Attractive spun aluminum exterior
- Belt drives permit easy performance adjustments when needed
- Non-overloading backward inclined wheel for efficiency at higher static pressures
- Roof or sidewall mounting options
- AMCA Air and Sound Licensed
- UL 705 listed
- UL 762 listed for Grease Removal

SIZE	METAL GAUGES				
	WIND BAND	MOTOR COVER	SHROUD	BASE	
				STD/UL	RHUL
8/10	.050	.050	.063	.063	16GA
12/15/16	.050	.050	.063	.063	16GA
18/20	.050	.050	.080	.080	16GA
24	.050	.050	.100	.080	16GA
30	.050	.050	.100	.090	16GA
36	.050	.050	.090	.090	16GA
42	.050	.050	.090	.100	N/A
48	.050	.050	.090	.100	N/A



cULus 705
cULus 762 (Grease)

(Must be specified)

FAN SPECIFICATIONS									MOTOR SPECIFICATIONS				
Line	Qty.	Model No.	Tag	CFM	SP	Fan RPM	BHP	Sones	HP	Volts	Phase	Hertz	Encl
1													
2													
3													
4													
5													

ACCESSORY ITEMS	1	2	3	4	5	ACCESSORY ITEMS	1	2	3	4	5
<input type="checkbox"/>						<input type="checkbox"/>					
<input type="checkbox"/>						<input type="checkbox"/>					
<input type="checkbox"/>						<input type="checkbox"/>					
<input type="checkbox"/>						<input type="checkbox"/>					
<input type="checkbox"/>						<input type="checkbox"/>					

Project: _____ Submitted: _____
 Customer: _____ Approved: _____
 Location: _____