



# HRRD-3P DEHUMIDISTAT OPTION FOR HR SERIES

6393 Powers Avenue  
Jacksonville, Florida 32217-2298  
P: 800.961.7370 F: 800.961.7379  
www.solerpalau-usa.com

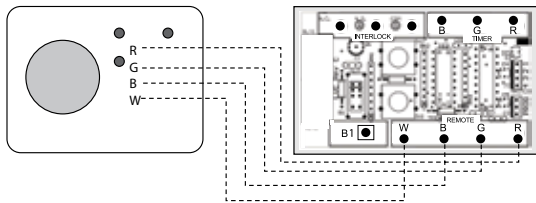


The HRRD-3P allows the homeowner to select the humidity percentage, fan range and operation modes.

### Features

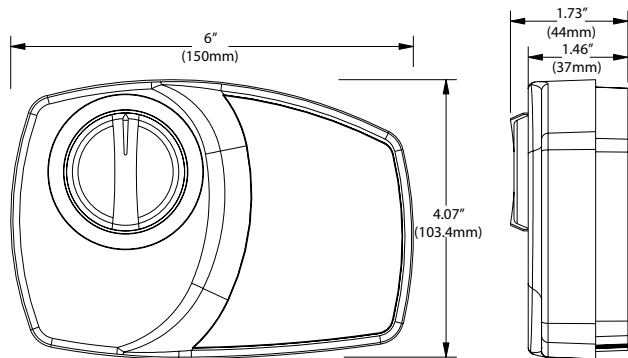
- Dehumidistat to select the humidity level
- Speed Control (Off, Normal and Reduced)
- Mode Control (Intermittent and Continuous)
- Light On/Override Indicator
- Compatible with the HR100V, HR160H and HR220H

## Electrical Diagram



**WARNING:** Always unplug the unit before installation

## Dimensions



For more information contact us at [www.solerpalau-usa.com](http://www.solerpalau-usa.com) or 1.800.961.7370 for additional submittal drawings.

S&P will not be responsible for fabrication changes or errors resulting from customer use of a non-current submittal drawing.

PROJECT: \_\_\_\_\_ CONTRACTOR: \_\_\_\_\_  
 LOCATION: \_\_\_\_\_ REVISION DATE: \_\_\_\_\_  
 FORM NO.: \_\_\_\_\_ SUBMITTED BY: \_\_\_\_\_ DATE: \_\_\_\_\_  
 ENGINEER: \_\_\_\_\_ APPROVED BY: \_\_\_\_\_ DATE: \_\_\_\_\_