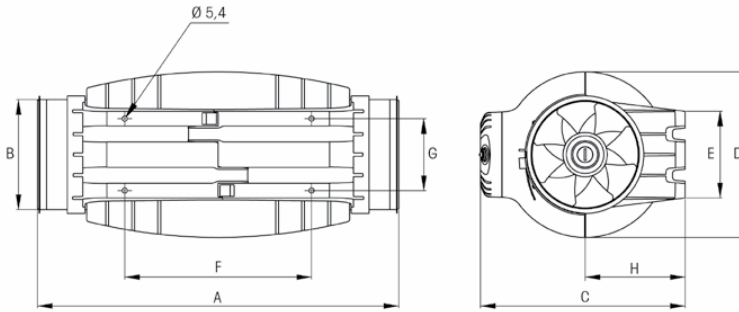


Jencofan

MODEL TD-SILENT

(Extremely quiet for High Air Flow to Pressure Ratio Applications Minimum Space)



Dimensions inches/mm

Model	A	B Ø	C	D Ø	E	F	G	H
TD-100XS	22 5/8	3 13/16	9 15/16	8 1/16	3 15/16	9 13/16	3 1/4	4 3/4
TD-150S	19 1/16	5 13/16	10 13/16	8 11/16	4 9/16	9 13/16	3 3/4	5 1/4
TD-200S	22 3/8	7 13/16	12 7/8	10 3/8	5 11/16	13 3/8	5 1/16	6 7/16



FAN DATA					
Fan No.	Qty.	Model No.	CFM	SP	RPM

For more information contact us at www.jencofan.com or 1.800.961.7370 for additional submittal drawings.

Jencofan will not be responsible for fabrication changes or errors resulting from customer use of a non-current submittal drawing.

MOTOR DATA					
AMPS	RPM	VOLTS	PH	HZ	ENCLOSURE

ACCESSORIES	1	2	3	4	5	REMARKS

PROJECT: _____ CONTRACTOR: _____
 LOCATION: _____ REVISION DATE: _____
 FORM NO.: _____ SUBMITTED BY: _____ DATE: _____
 ENGINEER: _____ APPROVED BY: _____ DATE: _____