

Jencofan

6393 Powers Avenue
 Jacksonville, Florida 32217-2298
 P: 904.731.4711 / F: 904.737.8322
 www.Jencofan.com



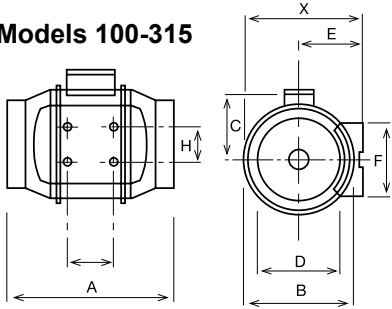
MODEL TD-MIXVENT

(For High Air Flow to Pressure Ratio Applications Minimum Space)

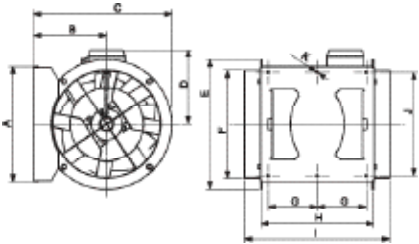
Dimensions inches/mm

Model	X	A	B	C	D	E	F	G	H		
TD-100	5 15/16 151	9 1/8 232	5 7/16 138	3 3/4 96	3 7/8 98	3 1/4 82	3 3/4 95	1 7/8 48	2 1/16 52		
TD-100x	7 3/8 188	11 15/16 303	6 15/16 176	4 1/2 115	3 13/16 97	3 15/16 100	3 9/16 90	3 1/8 80	2 3/8 60		
TD-125	7 3/8 188	10 3/16 258	6 15/16 176	4 1/2 115	4 13/16 123	3 15/16 100	3 9/16 90	3 1/8 80	2 3/8 60		
TD-150	8 3/8 212	11 5/8 295	7 7/8 200	5 127	5 13/16 147	4 7/16 112	5 1/8 130	3 1/8 80	2 3/8 60		
TD-200	9 3/16 233	11 7/8 302	8 9/16 217	5 9/16 141	7 13/16 198	4 7/8 124	5 1/2 140	3 15/16 100	3 11/16 94		
TD-250	11 7/16 291	15 3/16 386	10 11/16 272	7 9/16 192	9 3/4 248	6 1/8 155	6 5/8 168	5 11/16 145	5 1/2 140		
TD-315	14 356	17 11/16 450	13 1/4 336	8 13/16 224	12 5/16 312	7 3/8 188	8 1/4 210	7 3/16 182	7 178		
	A	B	C	D	E	F	G	H	I	J	K
TD-355	14 5/8 377	9 3/8 238	17 11/16 451	8 5/8 224	16 7/8 426	13 13/8 354	5 8/9 150	14 1/2 368	18 2/3 474	13 3/8 340	1/3 8.5
TD-400	1/6 407	9 4/5 249	19 3/8 492	10 1/2 267	19 1/8 487	15 5/7 399	6 2/7 160	16 3/4 425	21 5/9 547	14 4/7 370	1/3 8.5

Models 100-315



Models 355 & 400



FAN DATA					
Fan No.	Qty.	Model No.	CFM	SP	RPM



MOTOR DATA					
AMPS	RPM	VOLTS	PH	HZ	ENCLOSURE

For more information contact us at www.Jencofan.com or 1.800.961.7370 for additional submittal drawings.

Jencofan will not be responsible for fabrication changes or errors resulting from customer use of a non-current submittal drawing.

ACCESSORIES	1	2	3	4	5	REMARKS

PROJECT: _____ CONTRACTOR: _____
 LOCATION: _____ REVISION DATE: _____
 FORM NO.: _____ SUBMITTED BY: _____ DATE: _____
 ENGINEER: _____ APPROVED BY: _____ DATE: _____