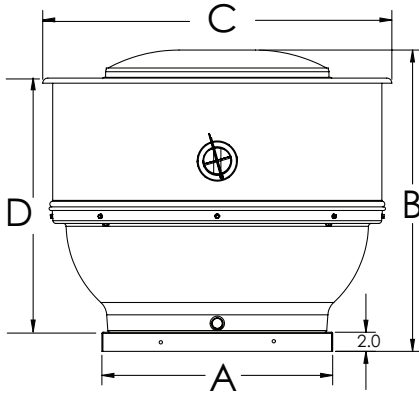


JencoFan

MODEL STXB (Sizes 8-16) BELT DRIVE CENTRIFUGAL DOWNBLAST ROOF EXHAUSTER



STANDARD FEATURES

- Exhaust air up to 3975 CFM in high static pressure applications up to 1-1/2" w.g.
- Attractive spun aluminum exterior
- Belt drives permit easy performance adjustments when needed
- Curved non-overloading backward inclined wheel for efficiency at higher static pressures
- Roof or sidewall mounting options
- AMCA Air and Sound Licensed
- cULus 705 or 762 Listed
- NFPA - suitable for National Fire Protection Association Installations

Size	A	B	C	D	Roof Opening	Curb O.D.	Damper (O.D. x I.D.)	Average Ship Wt. Lbs.
8	18 1/8	29 1/3	28 5/8	24 1/3	13 1/2	16 1/2	12 x 12	123
10	18 1/8	29 1/3	28 5/8	24 1/3	13 1/2	16 1/2	12 x 12	124
12	20 1/8	30 7/8	31 1/3	25 7/8	15 1/2	18 1/2	14 x 14	136
14	20 1/8	30 7/8	31 1/3	25 7/8	15 1/2	18 1/2	14 x 14	138
15	24 1/8	31 3/8	36 1/2	26 5/8	19 1/2	22 1/2	18 x 18	155
16	24 1/8	31 3/8	36 1/2	26 5/8	19 1/2	22 1/2	18 x 18	155

*Motor may extend past unit

NOTE: All dimensions shown are in inches.

FAN SPECIFICATIONS									MOTOR SPECIFICATIONS				
Line	Qty.	Model No.	Tag	CFM	SP	Fan RPM	BHP	Sones	HP	Volts	Phase	Hertz	Encl
1													
2													
3													
4													
5													

ACCESSORY ITEMS	1	2	3	4	5	ACCESSORY ITEMS	1	2	3	4	5
<input type="checkbox"/>						<input type="checkbox"/>					
<input type="checkbox"/>						<input type="checkbox"/>					
<input type="checkbox"/>						<input type="checkbox"/>					
<input type="checkbox"/>						<input type="checkbox"/>					
<input type="checkbox"/>						<input type="checkbox"/>					

Subject to change unless approved in submittal by JencoFan.
STXB8-16_Submittal