

# MODEL RCXII (sizes 24-36) CURB MOUNT SPUN ALUMINUM GRAVITY VENTILATORS

# JencoFan

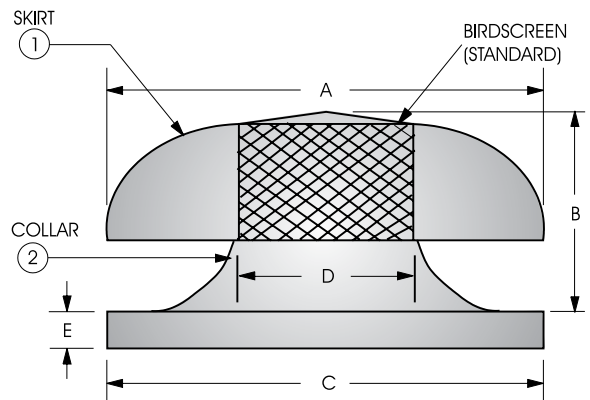
6393 Powers Avenue  
Jacksonville, Florida 32217-2298  
P: 904.731.4711 / F: 904.737.8322  
www.Jencofan.com

Soler&Palau  
Ventilation Group



### STANDARD FEATURES

- Five year warranty
- Low contour spun aluminum hood for attractive appearance.
- All heavy-gauge aluminum
- Weather resistant design for long life and maintenance free operation.
- Galvanized birdscreen is standard.
- Available in 11 sizes for a wide range of performance capabilities.
- One piece welded curb cap with round spun inlet for maximum efficiency.
- Shipped completely assembled for ease in installation.
- Intake or exhaust.
- Low pressure drop



Optional factory prefabricated curbs available to fit all sizes of units listed.

| Model No. | Throat Area sq. ft. | Dimensions (in.) |        |        |        |   | Material Gauge |       | Estimated Weight | Nominal Damper Size |
|-----------|---------------------|------------------|--------|--------|--------|---|----------------|-------|------------------|---------------------|
|           |                     | A                | B      | C      | D      | E | 1              | 2     |                  |                     |
| 24        | 3.30                | 43-3/4           | 12-1/2 | 35-1/2 | 24-5/8 | 2 | 0.063          | 0.063 | 57               | 27 x 27             |
| 26        | 3.69                | 43-3/4           | 17-3/8 | 35-1/2 | 26     | 2 | 0.063          | 0.063 | 57               | 27 x 27             |
| 30        | 5.16                | 43-3/4           | 17-3/8 | 42-1/2 | 30-3/4 | 2 | 0.063          | 0.080 | 75               | 34 x 34             |
| 33        | 5.94                | 54-3/4           | 17-3/8 | 42-1/2 | 33     | 2 | 0.100          | 0.080 | 75               | 34 x 34             |
| 36        | 7.06                | 54-3/4           | 17-3/8 | 42-1/2 | 36     | 2 | 0.100          | 0.080 | 90               | 34 x 34             |

| ACCESSORY ITEMS          | 1 | 2 | 3 | 4 | 5 | ACCESSORY ITEMS          | 1 | 2 | 3 | 4 | 5 |
|--------------------------|---|---|---|---|---|--------------------------|---|---|---|---|---|
| <input type="checkbox"/> |   |   |   |   |   | <input type="checkbox"/> |   |   |   |   |   |
| <input type="checkbox"/> |   |   |   |   |   | <input type="checkbox"/> |   |   |   |   |   |
| <input type="checkbox"/> |   |   |   |   |   | <input type="checkbox"/> |   |   |   |   |   |
| <input type="checkbox"/> |   |   |   |   |   | <input type="checkbox"/> |   |   |   |   |   |
| <input type="checkbox"/> |   |   |   |   |   | <input type="checkbox"/> |   |   |   |   |   |

|                 |                  |
|-----------------|------------------|
| Project: _____  | Submitted: _____ |
| Customer: _____ | Approved: _____  |
| Location: _____ |                  |