

MODEL PV-POWERVENT

For High Static Pressure Applications

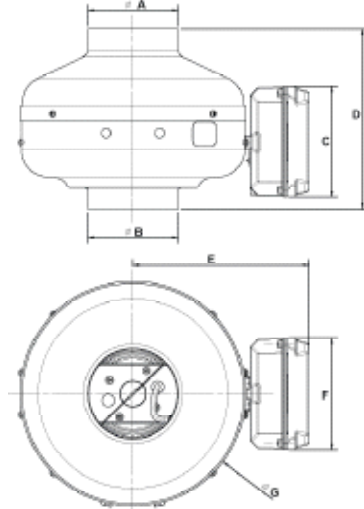
Jencofan

6393 Powers Avenue
 Jacksonville, Florida 32217-2298
 P: 904.731.4711 / F: 904.737.8322
 www.Jencofan.com



Dimensions in inches/mm

Model	A	B	C	D	E	F	G	Weight lbs(kgs)
PV-100	3 ¹³ / ₁₆ 97.5	3 ¹³ / ₁₆ 97.5	4 ³ / ₄ 120	7 ¹¹ / ₁₆ 196	7 ¹ / ₂ 190	4 ³ / ₄ 120	9 ⁹ / ₁₆ 243	7 3.0
PV-100x	3 ¹³ / ₁₆ 97.5	3 ¹³ / ₁₆ 97.5	4 ³ / ₄ 120	7 ¹¹ / ₁₆ 196	7 ¹ / ₂ 190	4 ³ / ₄ 120	9 ⁹ / ₁₆ 243	7 3.0
PV-125	4 ¹³ / ₁₆ 122.5	4 ¹³ / ₁₆ 122.5	4 ³ / ₄ 120	7 ¹³ / ₁₆ 198	7 ¹ / ₂ 190	4 ³ / ₄ 120	9 ⁹ / ₁₆ 243	7 3.0
PV-125x	4 ¹³ / ₁₆ 122.5	4 ¹³ / ₁₆ 122.5	4 ³ / ₄ 120	7 ¹³ / ₁₆ 198	7 ¹ / ₂ 190	4 ³ / ₄ 120	9 ⁹ / ₁₆ 243	7 3.0
PV-150	5 ¹³ / ₁₆ 147	5 ¹³ / ₁₆ 147	4 ³ / ₄ 120	8 ⁷ / ₁₆ 214	9 ⁵ / ₁₆ 236	4 ³ / ₄ 120	13 ¹ / ₈ 334	11 5.0
PV-150x	5 ¹³ / ₁₆ 147	5 ¹³ / ₁₆ 147	4 ³ / ₄ 120	8 ⁷ / ₁₆ 214	9 ⁵ / ₁₆ 236	4 ³ / ₄ 120	13 ¹ / ₈ 334	11 5.0
PV-200	7 ¹³ / ₁₆ 198	7 ¹³ / ₁₆ 198	4 ³ / ₄ 120	8 ³ / ₄ 223	9 ⁵ / ₁₆ 236	4 ³ / ₄ 120	13 ¹ / ₈ 334	11 5.0
PV-200x	7 ¹³ / ₁₆ 198	7 ¹³ / ₁₆ 198	4 ³ / ₄ 120	8 ³ / ₄ 223	9 ⁵ / ₁₆ 236	4 ³ / ₄ 120	13 ¹ / ₈ 334	11 5.0
PV-250	9 ³ / ₄ 248	9 ³ / ₄ 248	4 ³ / ₄ 120	8 ¹ / ₁₆ 205	9 ⁵ / ₁₆ 236	4 ³ / ₄ 120	13 ¹ / ₈ 334	13 6.0
PV-250x	9 ³ / ₄ 248	9 ³ / ₄ 248	4 ³ / ₄ 120	8 ¹ / ₁₆ 205	9 ⁵ / ₁₆ 236	4 ³ / ₄ 120	13 ¹ / ₈ 334	13 6.0
PV-315	12 ⁵ / ₁₆ 312	12 ⁵ / ₁₆ 312	4 ³ / ₄ 120	9 ³ / ₁₆ 233	10 ⁹ / ₁₆ 269	4 ³ / ₄ 120	15 ¹³ / ₁₆ 401	21 10.0
PV-315x	12 ⁵ / ₁₆ 312	12 ⁵ / ₁₆ 312	4 ³ / ₄ 120	9 ³ / ₁₆ 233	10 ⁹ / ₁₆ 269	4 ³ / ₄ 120	15 ¹³ / ₁₆ 401	21 10.0



FAN DATA					
Fan No.	Qty.	Model No.	CFM	SP	RPM

For more information contact us at www.Jencofan.com or 1.800.961.7370 for additional submittal drawings.

MOTOR DATA					
AMPS	RPM	VOLTS	PH	HZ	ENCLOSURE

Jencofan will not be responsible for fabrication changes or errors resulting from customer use of a non-current submittal drawing.

ACCESSORIES	1	2	3	4	5	REMARKS

PROJECT: _____ CONTRACTOR: _____
 LOCATION: _____ REVISION DATE: _____
 FORM NO.: _____ SUBMITTED BY: _____ DATE: _____
 ENGINEER: _____ APPROVED BY: _____ DATE: _____