

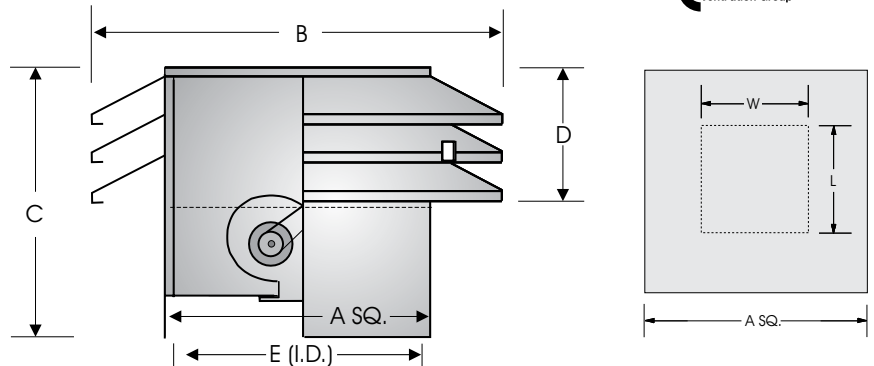
MODEL LSF FILTERED SUPPLY FAN with LOUVERED HOUSING

STANDARD FEATURES

- AMCA Air Licensed.
- cULus Listed - Standard 705 (Optional).
- Disconnect standard (Except two speed and explosion proof).
- Heavy-gauge galvanized construction (Louvered Aluminum).
- Statically and dynamically balanced forward curved wheel.
- Variable pitch drives standard.
- Drives sized for a minimum of 150% of drive horsepower.
- 5-year fan, and 1-year motor warranty.
- Heavy-duty L50 200,000 hour rated pillow block bearings.
- Low profile.
- Integral deep spun inlet.

JencoFan

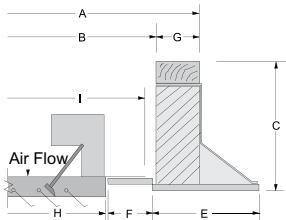
6393 Powers Avenue
Jacksonville, Florida 32217-2298
P: 904.731.4711 / F: 904.737.8322
www.Jencofan.com



Discharge Opening

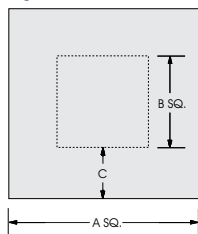
Size	Housing O.D. A	Overall Width B	Overall Height C	D	No. Tiers	E (Curb Cap I.D.)	W	L	Filters (Qty)
9	24-1/2	32	28-1/2	16	3	24 x 24	12	10-1/2	16 x 20 (4)
10	28-1/2	36	28-1/2	16	3	28 x 28	13-1/4	11-5/8	16 x 25 (4)
12	28-1/2	36	28-1/2	16	3	28 x 28	15-7/8	13-5/8	16 x 25 (4)
15	32-1/2	40	30	21-1/2	4	32 x 32	18-3/4	16-1/4	21-1/2 x 28 (4)
18	36-1/2	44-1/4	35	26-1/2	5	36 x 36	22-1/4	19	24 x 30 (4)
20	51-1/4	59	47	26-1/2	5	51 x 51	23-3/16	25	25-1/2 x 45-1/2 (8)

Roof Curb Dimensional Data



Size	Prefab Curb O.D. A	Prefab Curb I.D. B	Curb Height C	E	F	G	H	I
9	22-3/4	19-1/2	8	7	1-1/2	1-1/2	16	19
10	26-1/2	23-1/2	8	7	1-1/2	1-1/2	20	23
12	26-1/2	23-1/2	8	7	1-1/2	1-1/2	20	23
15	30-1/2	27-1/2	8	7	1-1/2	1-1/2	24	27
18	34-5/8	31-3/8	8	7	1-1/2	1-1/2	27	30
20	49	46	8	7	1-1/2	1-1/2	42	45

Duct Adaptor Dimensional Data



Size	A Sq.	B Sq.	C (Out to In)
9	18-1/2	14-1/2	2
10	22-1/2	18-1/2	2
12	22-1/2	18-1/2	2
15	26-1/2	20-1/2	3
18	30-1/2	24-1/2	3
20	45	30	7-1/2



FAN SPECIFICATIONS									MOTOR SPECIFICATIONS				
Line	Qty.	Model No.	Tag	CFM	SP	Fan RPM	BHP	Sones	HP	Volts	Phase	Hertz	Encl
1													
2													
3													

ACCESSORY ITEMS					ACCESSORY ITEMS						
	1	2	3	4	5		1	2	3	4	5
<input type="checkbox"/>						<input type="checkbox"/>					
<input type="checkbox"/>						<input type="checkbox"/>					
<input type="checkbox"/>						<input type="checkbox"/>					