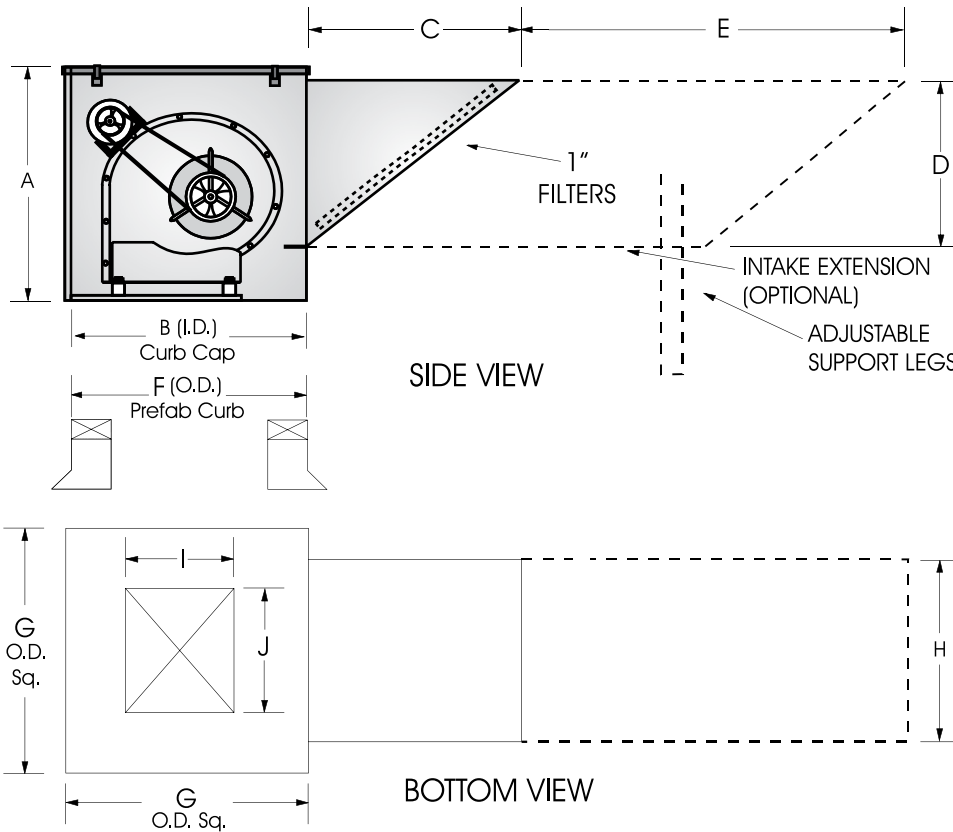


# MODEL KSF KITCHEN SUPPLY FAN

# Jencofan

6393 Powers Avenue  
Jacksonville, Florida 32217-2298  
P: 904.731.4711 / F: 904.737.8322  
www.Jencofan.com

Soler&Palau  
Ventilation Group



SIZE	A	B SQ.	C	D	E	F	G	H	DAMPER O.D.	I	J	FILTERS (QTY)
9	23-1/4	24	17-1/2	18	78-3/4	22-3/4	24-1/2	18	19	10-1/2	12	17 1/2 x 23 (1)
10	27-1/4	28	22-1/2	21	70-1/2	26-1/2	28-1/4	21-3/4	23	11-5/8	13-1/4	21 1/2 x 28 1/2 (1)
12	32-1/2	32	26-3/4	26-3/8	51-1/2	30-1/2	32-1/2	27-1/4	27	13-5/8	15-7/8	25 1/2 x 35 1/2 (1)
15	37-1/4	32	32-1/2	31-1/2	56-1/2	30-1/2	32-1/2	28-3/4	27	16-1/4	18-7/8	21 1/2 x 28 1/2 (2)
18	41-1/4	36	35-1/2	35-1/2	48-1/2	34-5/8	36-1/2	31	30	19	22-1/4	24 x 30 (2)
20	49-1/4	51	40	35	31	49	51	46-1/8	45	23	25	25 1/2 x 45 1/2 (2)

FAN SPECIFICATIONS									MOTOR SPECIFICATIONS				
Line	Qty.	Model No.	Tag	CFM	SP	Fan RPM	BHP	Sones	HP	Volts	Phase	Hertz	Encl
1													
2													
3													
4													
5													

ACCESSORY ITEMS	1	2	3	4	5	ACCESSORY ITEMS	1	2	3	4	5
<input type="checkbox"/>						<input type="checkbox"/>					
<input type="checkbox"/>						<input type="checkbox"/>					
<input type="checkbox"/>						<input type="checkbox"/>					
<input type="checkbox"/>						<input type="checkbox"/>					
<input type="checkbox"/>						<input type="checkbox"/>					