

MODEL DFE/DFS DIRECT DRIVE SIDEWALL PROPELLER FAN

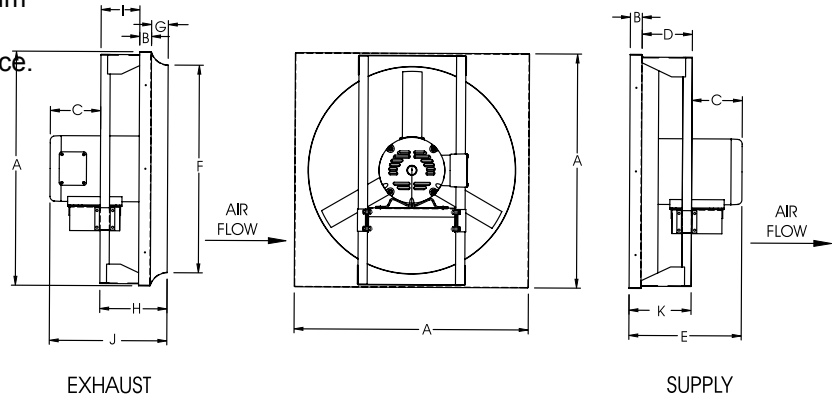


6393 Powers Avenue
Jacksonville, Florida 32217-2298
P: 904.731.4711 / F: 904.737.8322
www.Jencofan.com



STANDARD CONSTRUCTION FEATURES

- Galvanized steel G90 panel assembly.
- Welded schedule 40 galvanized pipe support structure.
- Statically and dynamically balanced aluminum blades.
- Precision spun orifice for smooth performance.
- Pre-punched mounting holes for easy installation.
- Permanently lubricated sealed ball bearing motors.
- Unit suitable for all-angle construction



DFE/ DFS Size	Dimensions (in.)											Avg. Ship Wt. (lbs.)
	A	B	C*	D	E*	F	G	H	I	J*	K	
10	16	1	6	6	11	10-1/2	2	8	5	14	7	30
12	16	1	6	6	11	12-1/2	2	8	5	14	7	30
16	20	1	6	6	12	16-1/2	2	8	5	14	7	37
18	24	1	6	6	12	18-1/2	2	8	5	14	7	45
20	24	1	7	6	12	20-1/2	2	8	5	15	7	50
24	30	2	10	9	21	25	3	10	4	20	11	70
30	36	2	10	9	21	31	3	10	4	20	11	100

- A. Outside dimension of square panel.
 - B. Width of flange.
 - C. Depth of motor beyond support structure.*
 - D. Depth of support structure - supply.
 - E. Depth of fan - supply.*
 - F. Diameter of venturi.
 - G. Depth of venturi.
 - H. Depth of panel and support structure - exhaust.
 - I. Depth of support structure - exhaust.
 - J. Depth of fan - exhaust.*
 - K. Depth of panel and support structure - supply.
- * Varies with motor selection

FAN SPECIFICATIONS										MOTOR SPECIFICATIONS				
Line	Qty.	Model No.	Tag	CFM	SP	Fan RPM	BHP	Sones	HP	Volts	Phase	Hertz	Encl	
1														
2														
3														
4														
5														

ACCESSORY ITEMS	1	2	3	4	5	ACCESSORY ITEMS	1	2	3	4	5
<input type="checkbox"/>						<input type="checkbox"/>					
<input type="checkbox"/>						<input type="checkbox"/>					
<input type="checkbox"/>						<input type="checkbox"/>					
<input type="checkbox"/>						<input type="checkbox"/>					
<input type="checkbox"/>						<input type="checkbox"/>					

Project: _____ Submitted: _____
 Customer: _____ Approved: _____
 Location: _____