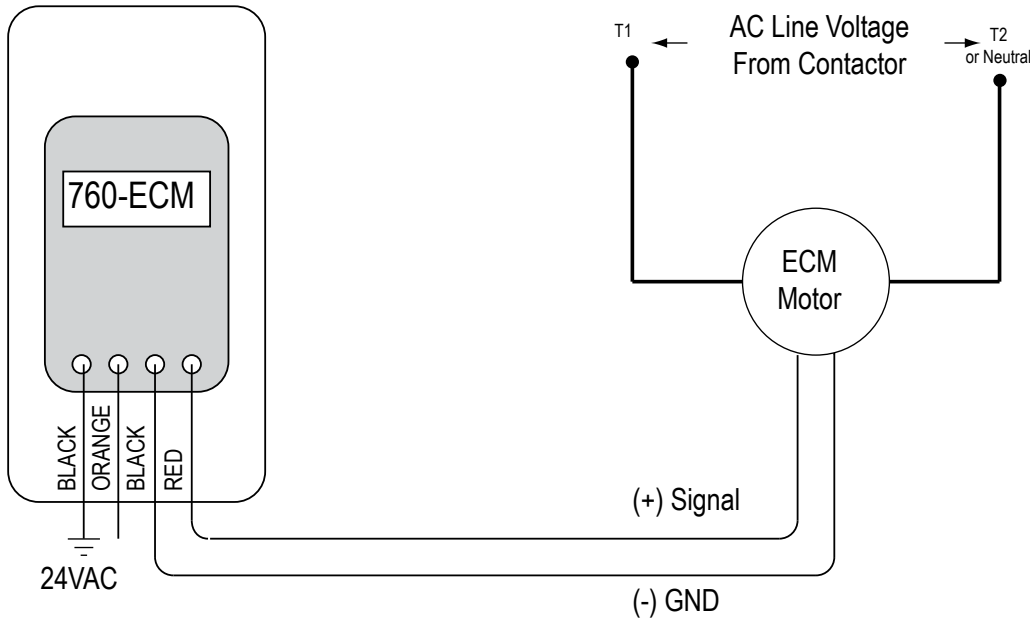


# 2520- EC Motor Speed Controller

# JencoFan

6393 Powers Avenue  
 Jacksonville, Florida 32217-2298  
 P: 904.731.4711 / F: 904.737.8322  
 www.Jencofan.com

Soler&Palau  
 Ventilation Group



## Features

- Motor Types: ECM (dc brushless) Motors
- Motor Speed: Field Adjustable
- Input Voltage: 24VAC (+20%/ -10%)
- Output: 0% to 100% PWM @ 80 Hz
- 13.5 VDC, 5mA (max)
- Max Wire Length (twisted pair) 100ft
- Humidity: 95%, Non Condensing
- Ambient: 32-120 F
- Dimensions (LxWxH): 4.25" x 2.40" x 1.25"

**CAUTION**  
 If a ground reference is applied to the 24 VAC power source, the "grounded" lead must be connected to terminal 24V COM ONLY

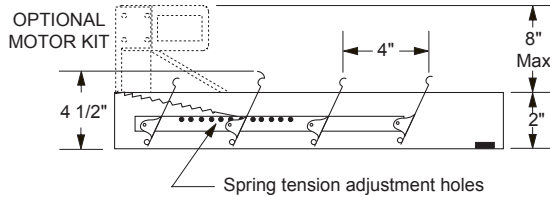
ACCESSORY MODEL	1	2	3	4	5	REMARKS

PROJECT: \_\_\_\_\_ CONTRACTOR: \_\_\_\_\_  
 LOCATION: \_\_\_\_\_ REVISION DATE: \_\_\_\_\_  
 FORM NO.: \_\_\_\_\_ SUBMITTED BY: \_\_\_\_\_ DATE: \_\_\_\_\_  
 ENGINEER: \_\_\_\_\_ APPROVED BY: \_\_\_\_\_ DATE: \_\_\_\_\_

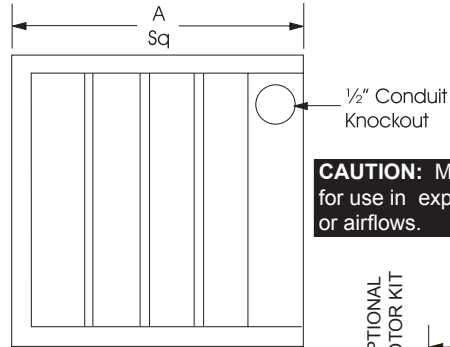
For more information contact us at 1.800.961.7370 for additional submittal drawings.

JencoFan will not be responsible for fabrication changes or errors resulting from customer use of a non-current submittal drawing.

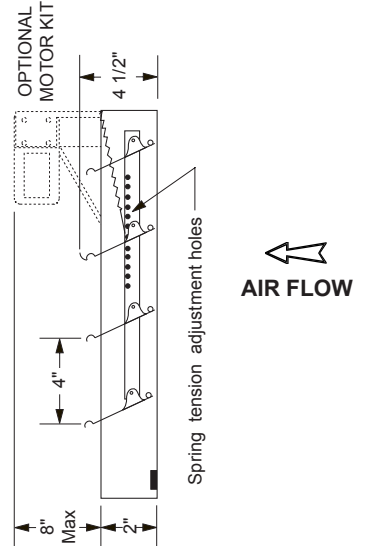
## BACKDRAFT DAMPER FOR ROOF MOUNTED AND INLINE CENTRIFUGAL/PROPELLER EXHAUST FANS



For low velocity (CFM) field adjustment of spring tension may be required to ensure that damper blades open completely.



**CAUTION:** Motor kits are not suitable for use in explosive or flammable areas or airflows.



FAN SIZE	CENTRIFUGAL ROOF FANS	INLINE FANS		PROPELLER
	DB, RED, TXB, LPD, TXD	SQB	SQD	ARE
	"A" SQUARE	"A" SQUARE	"A" SQUARE	"A" SQUARE
6	11	-	9	-
7	-	12	-	-
8	11	12	12	-
9	11	-	-	-
10	11	14	14	14
11/12	18	18	16	18
14	18	-	-	-
15	18	22	20	-
16	18	-	-	22
18	24	24	-	-
20	24	28	-	26
24	30	35	-	-
30	36	40	-	-
36	36	48	-	-
42	48	54	-	-
48	48	-	-	-

**STANDARD SPECIFICATIONS:**

Maximum Face Velocity: 2250 fpm.  
 Dimensions: See sizing chart  
 "A" Dimension is square damper size.  
 Frame: Galvanized steel, 2" Deep  
 Blades: 26 gauge Mill Finish aluminum.  
 Blade pivots: Stainless steel rivet at all pivot points.  
 Seals: Felt between adjacent blades.  
 Counter Balance: Adjustable spring tension.  
 Finish: Mill.  
 Max Temp: Damper 250° F  
 Motor 130° F

**CAUTION:** Motor kits are not suitable for use in explosive or flammable areas or airflows.

**NOTES:**

- (1) Units are undersized 1/4" to fit in square ducts.
- (2) Do not mount fan less than 1/3 diameter of the fan from the damper.
- (3) Dampers shipped in individual cartons.
- (4) Motor kits ship loose for field installation.

ACCESSORY ITEMS	1	2	3	4	5	ACCESSORY ITEMS	1	2	3	4	5
<input type="checkbox"/>						<input type="checkbox"/>					
<input type="checkbox"/>						<input type="checkbox"/>					
<input type="checkbox"/>						<input type="checkbox"/>					
<input type="checkbox"/>						<input type="checkbox"/>					

Project: \_\_\_\_\_ Submitted: \_\_\_\_\_  
 Customer: \_\_\_\_\_ Approved: \_\_\_\_\_  
 Location: \_\_\_\_\_